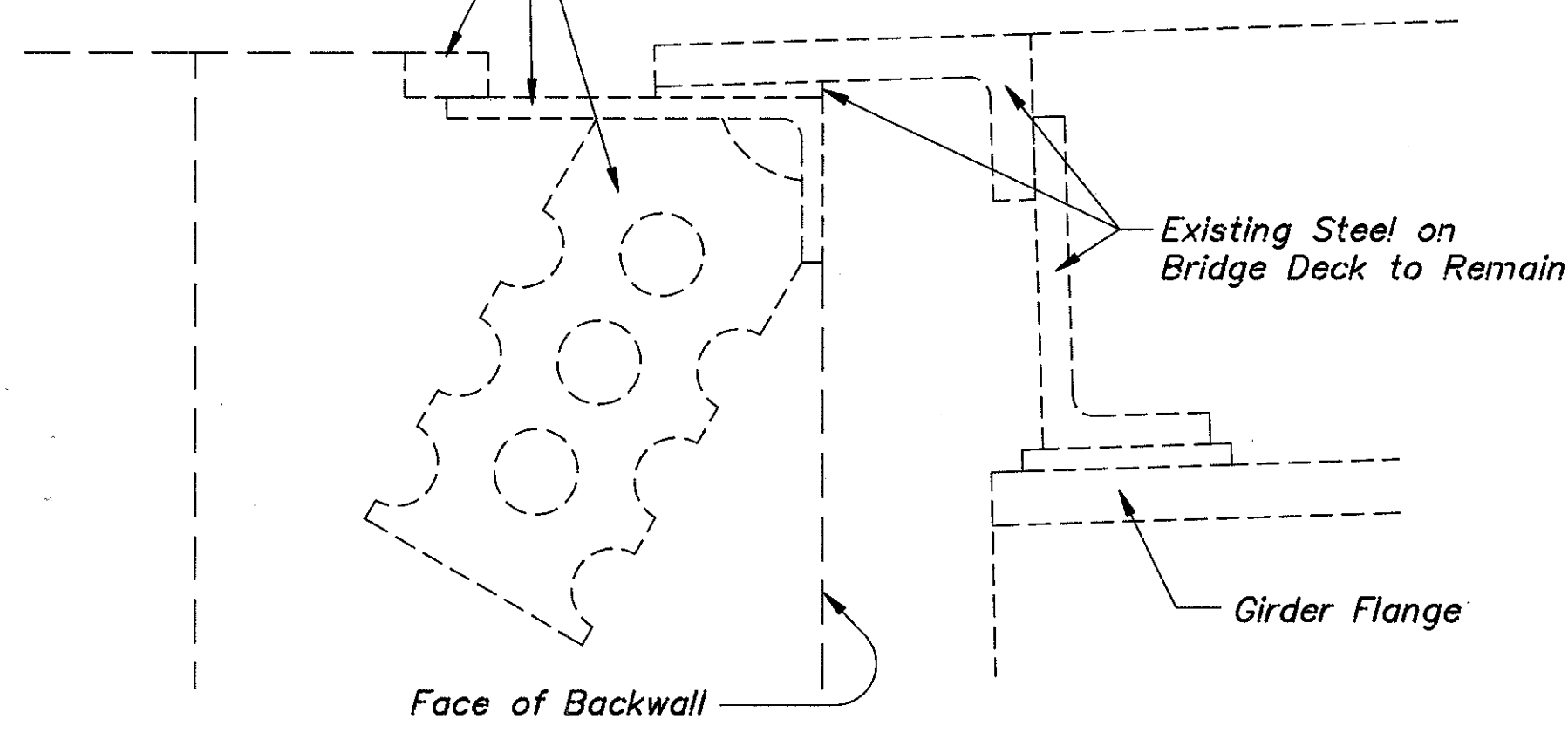
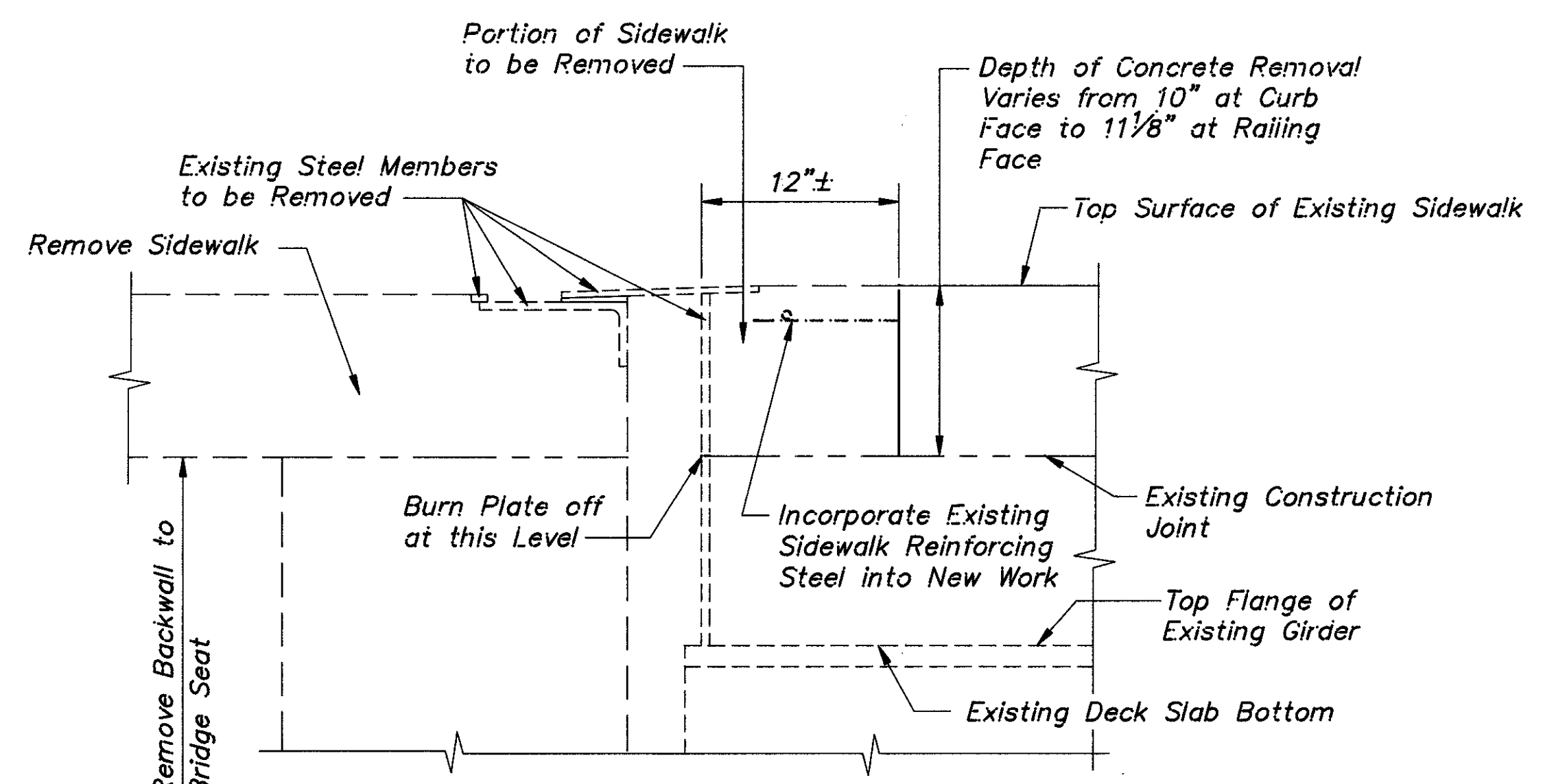


LAK-615-03.88

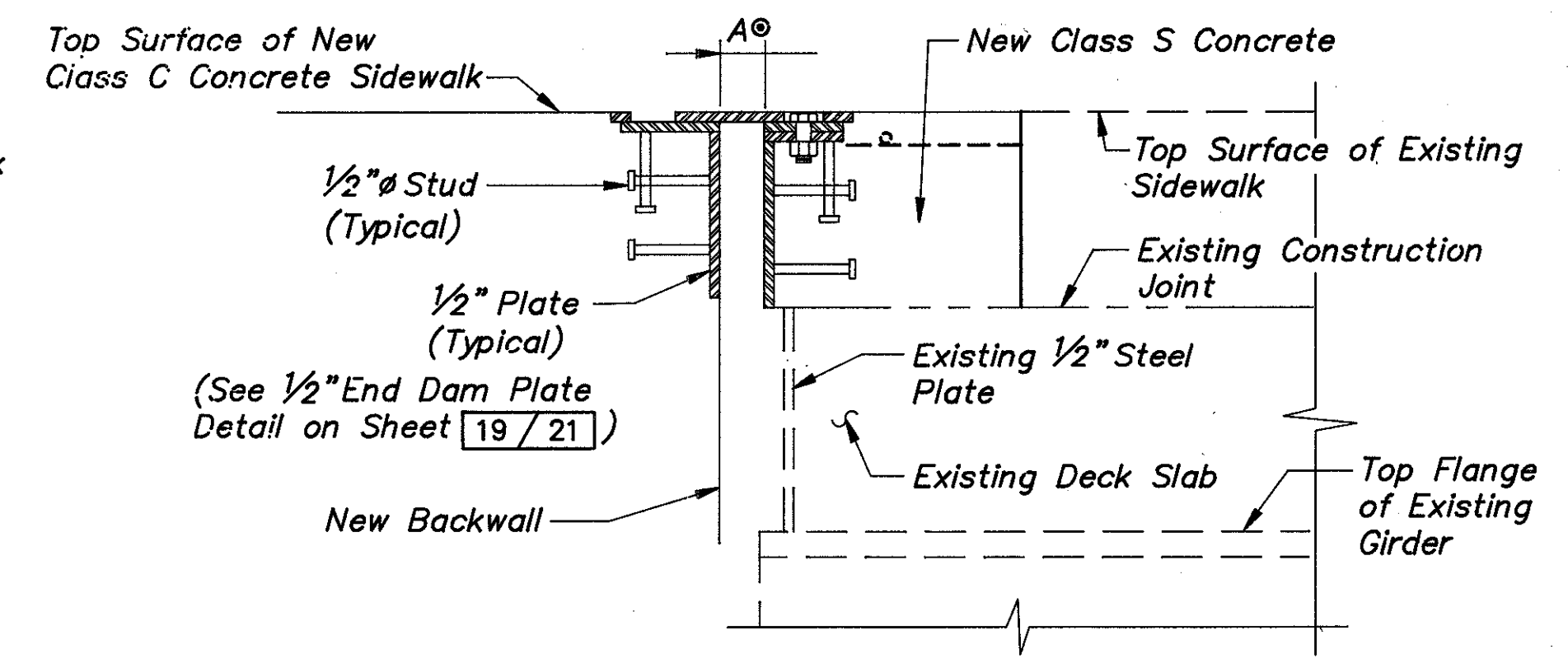
Existing Steel Members to be Removed and Replaced at Rear Abutment Only See Section D-D Sheet 19/21



SECTION B-B

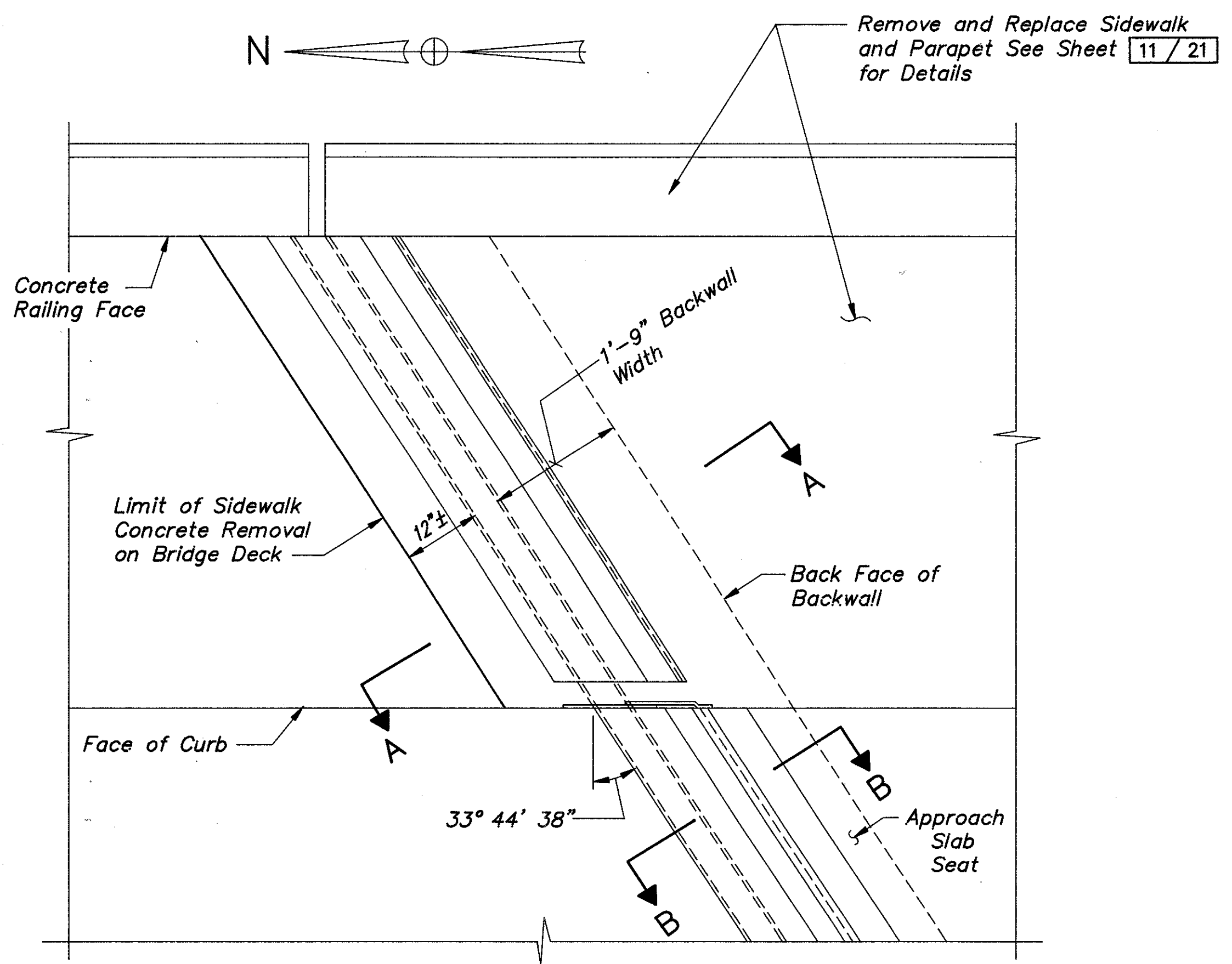
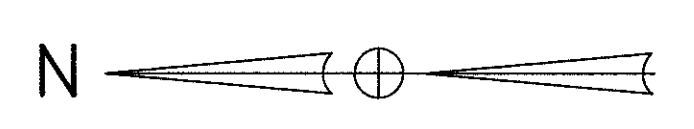
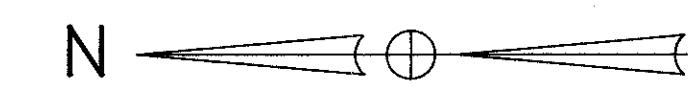


SECTION A-A

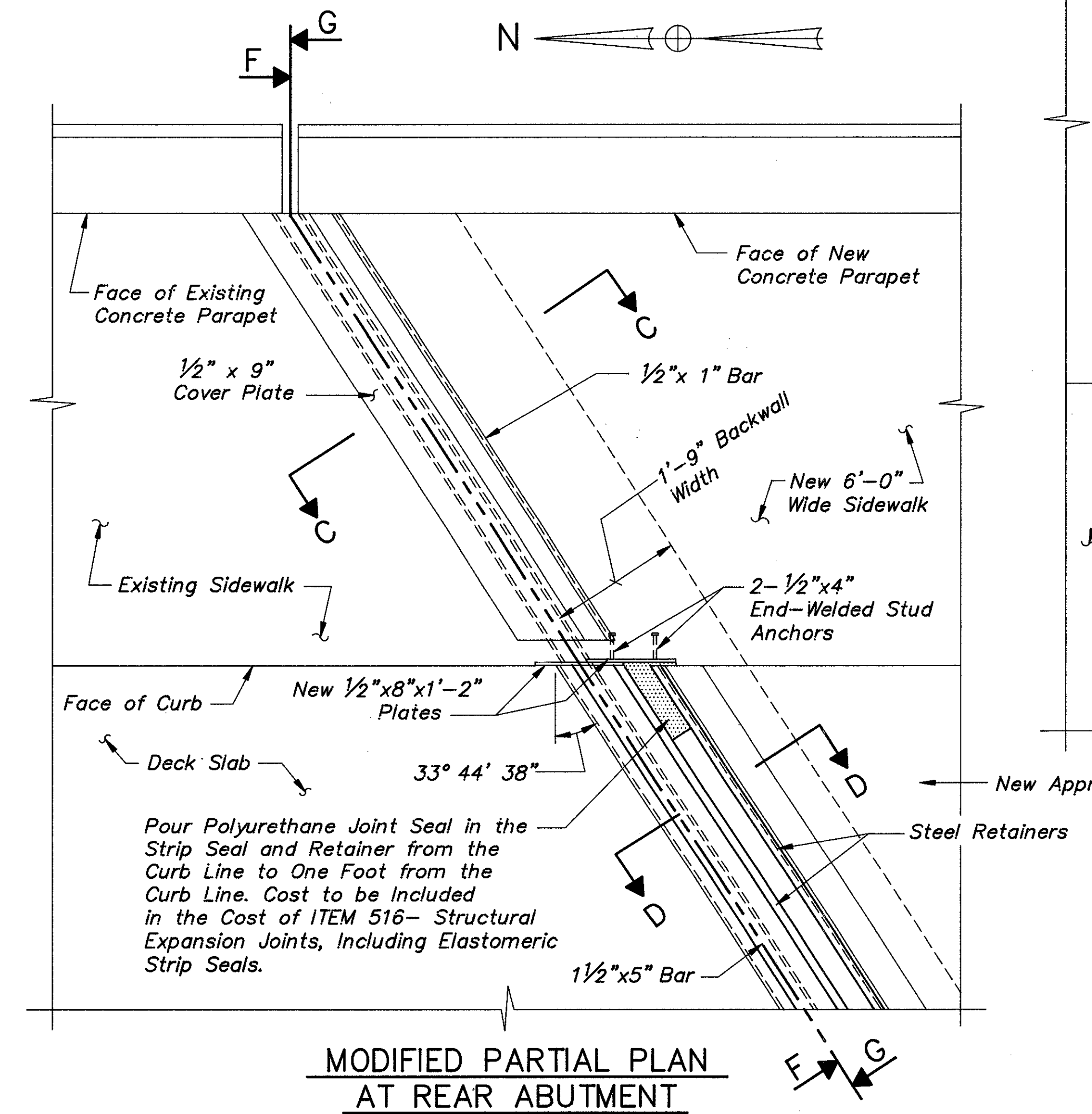


SECTION C-C

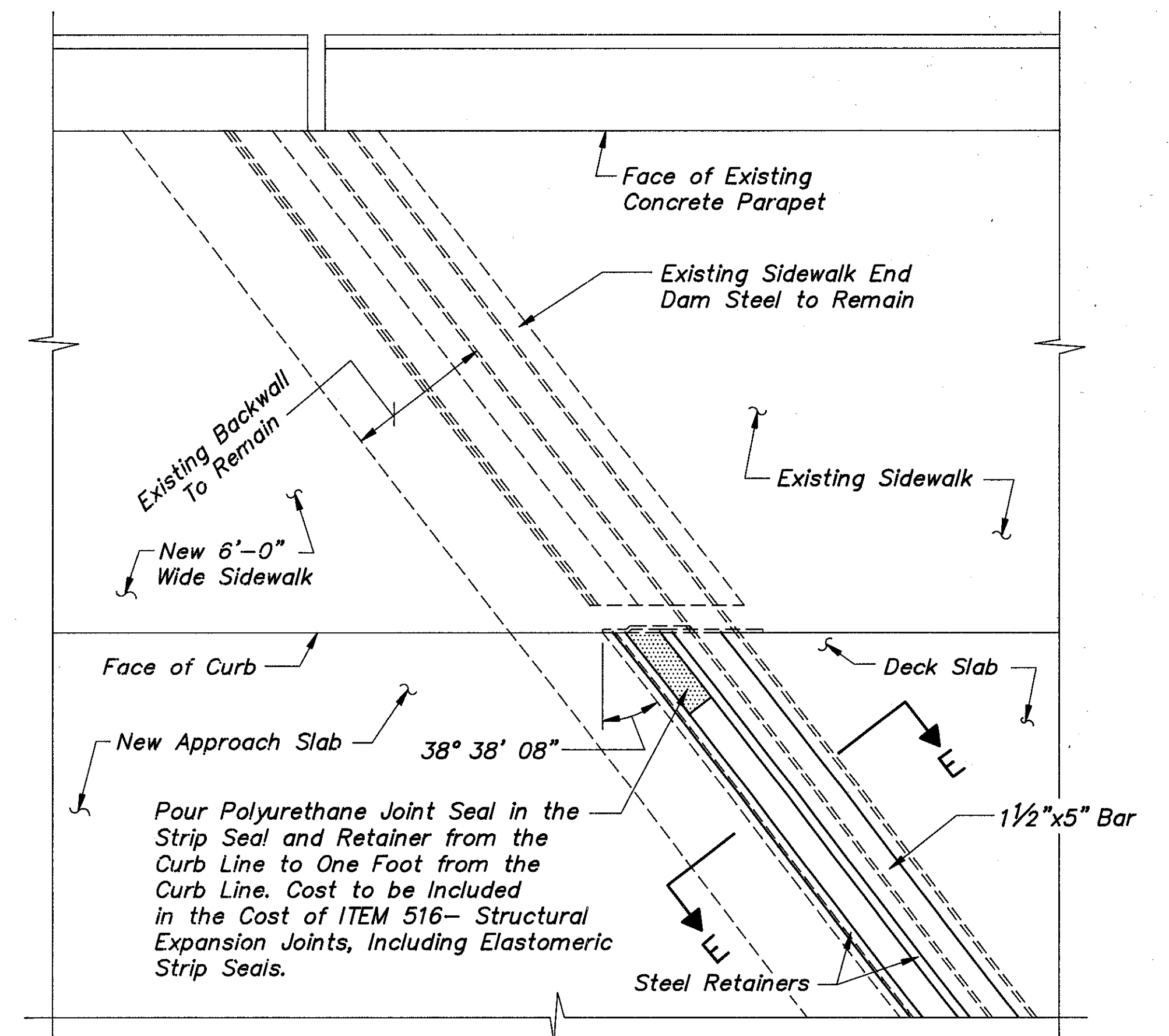
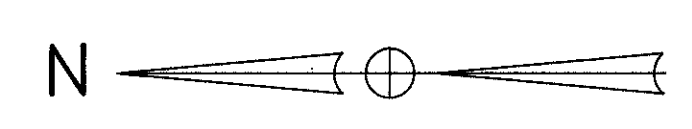
For Additional Information and Details See Drawing EXJ-2-81 Sheet 2 of 2, Section F-F



EXISTING PARTIAL PLAN AT REAR ABUTMENT



MODIFIED PARTIAL PLAN AT REAR ABUTMENT



MODIFIED PARTIAL PLAN AT FORWARD ABUTMENT

For Section D-D, E-E, F-F and G-G See Sheet 19/21

COLPETZER-THOMAS, INC. AN ENGINEERING GROUP WILLOUGHBY • MENTOR • NORTH CANTON • STEUBENVILLE • LORAIN 18/21

EXPANSION JOINT DETAILS LAK-615-0402 LAKE COUNTY

DESIGNED	DRAWN	TRACED	CHECKED	REVIEWED	DATE	REVISED
JPR	R.L.B.	R.L.B.	RJC	SEA	9-22-88	