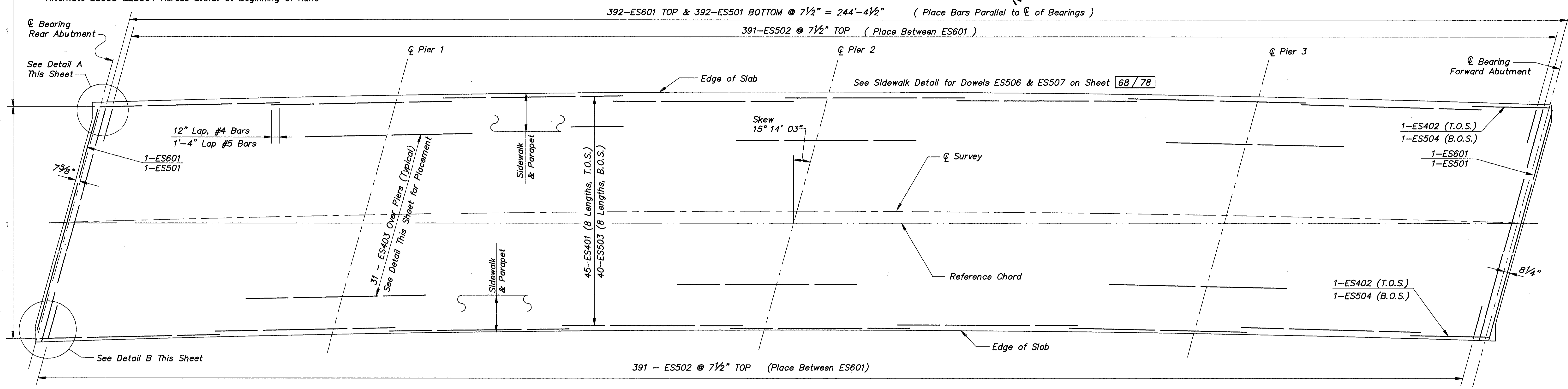
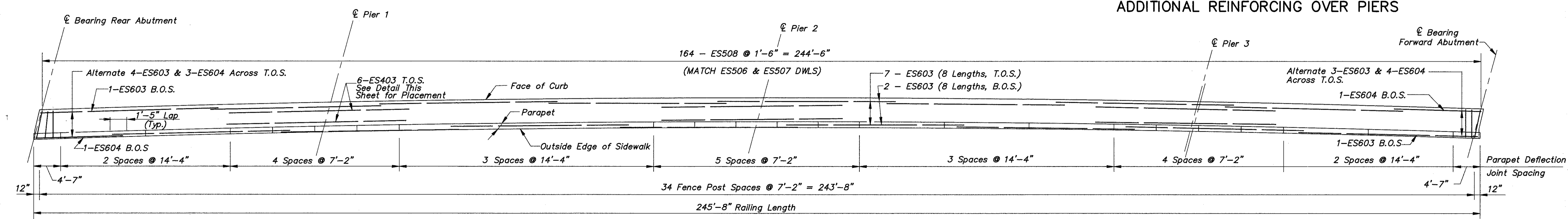
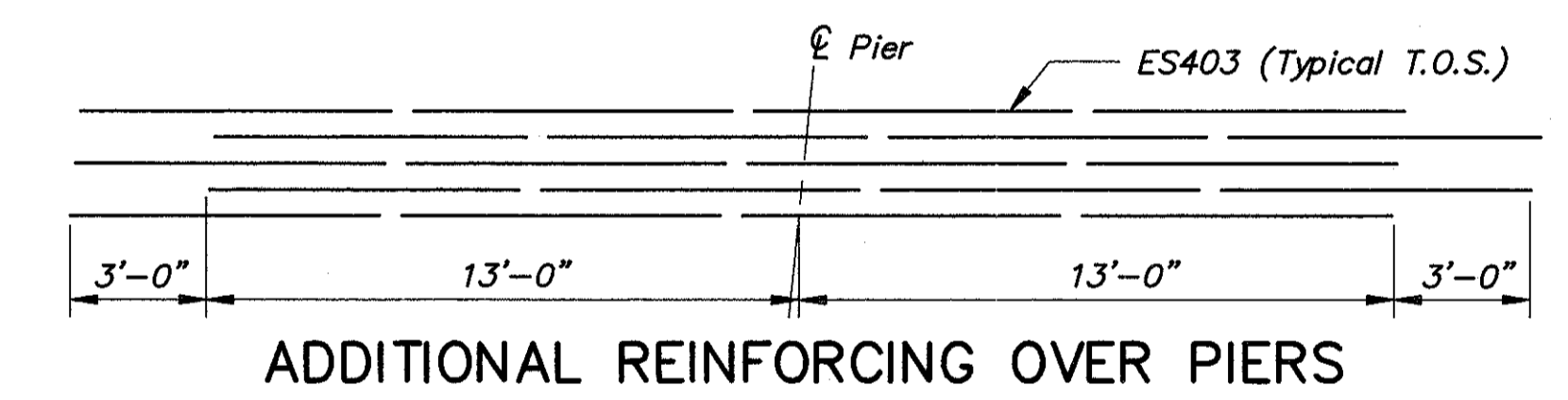


NOTE: To Stagger Lapped Splices,  
Alternate ES401 & ES402 Across T.O.S. at Beginning of Runs  
Alternate ES503 & ES504 Across B.O.S. at Beginning of Runs



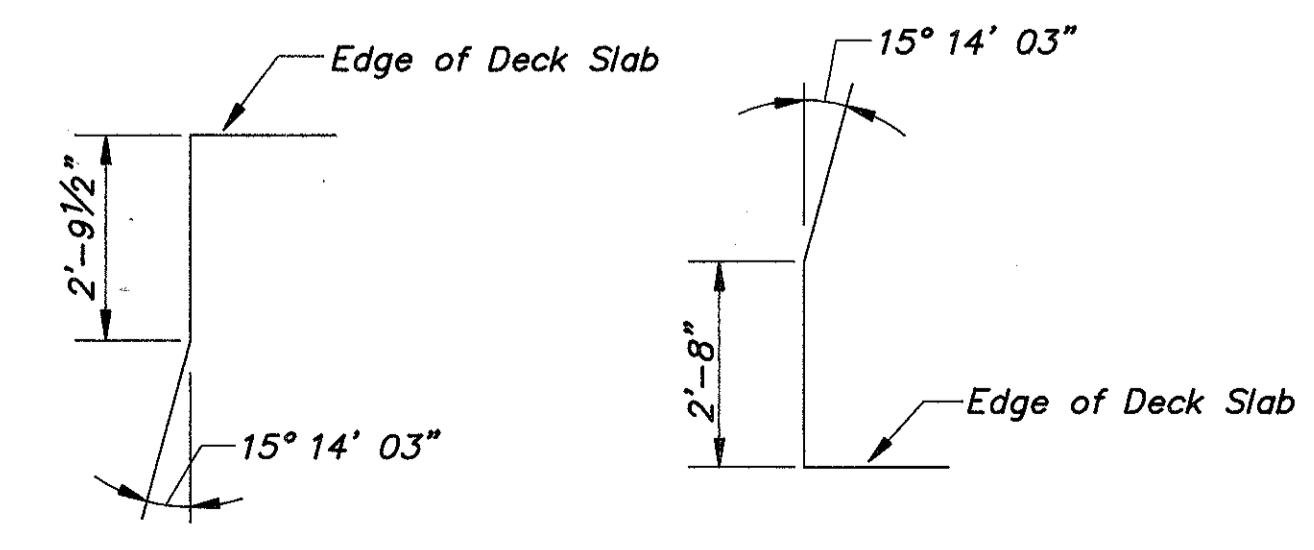
SLAB PLAN



SIDEWALK & PARAPET PLAN

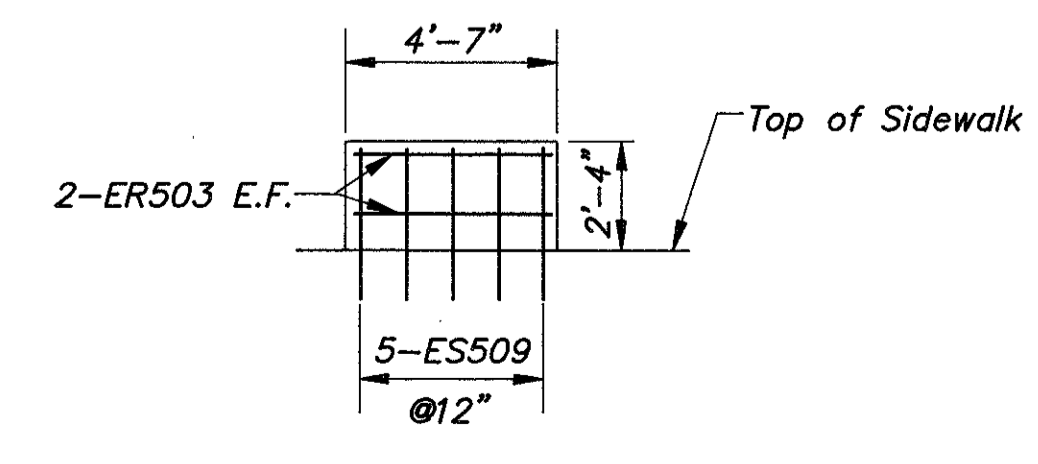
Showing Reinforcing Above Construction Joint

For Expansion Joint Details See Sheet 78/78 and 71/78  
Notation: T.O.S.-Top of Slab, B.O.S.-Bottom of Slab, E.F.-Each Face, Typ.-Typical, Dwls - Dowels

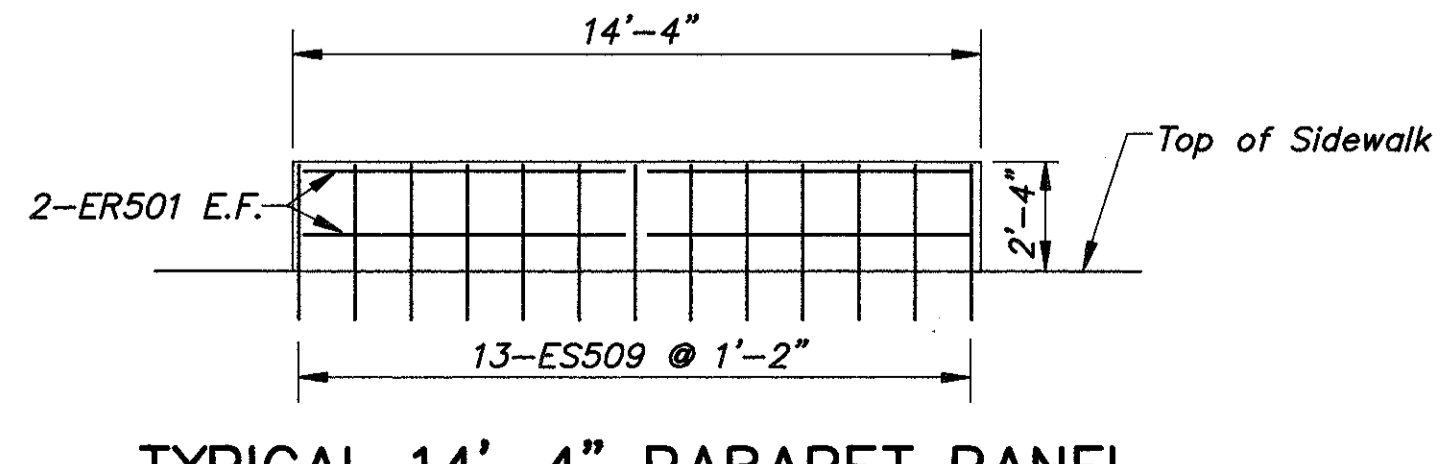


DETAIL A

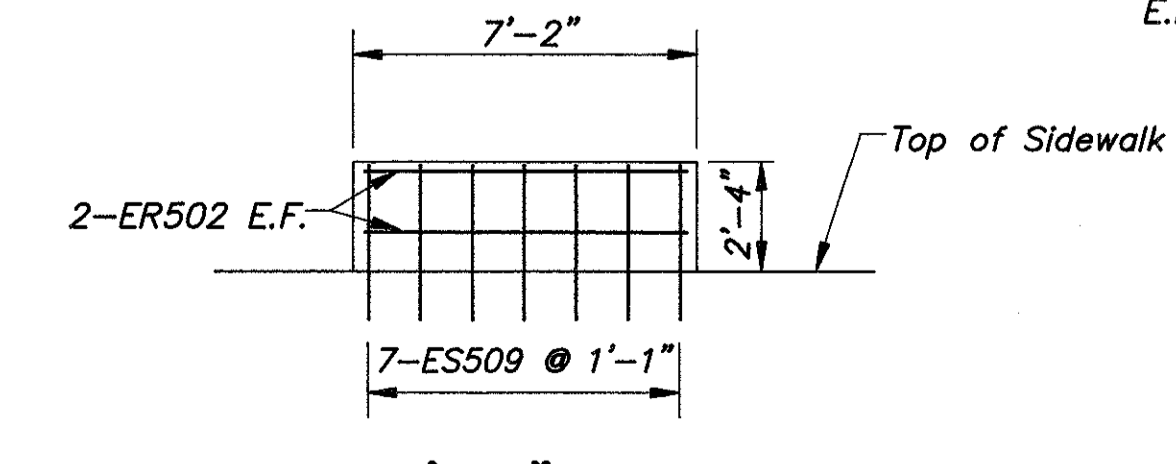
DETAIL B



TYPICAL END PARAPET PANEL ELEVATION VIEW



TYPICAL 14'-4" PARAPET PANEL ELEVATION VIEW



TYPICAL 7'-2" PARAPET PANEL ELEVATION VIEW

<b>COLPETZER-THOMAS, INC.</b> AN ENGINEERING GROUP <small>WILLOUGHBY • MENTOR • NORTH CANTON • STEUBENVILLE • LORAIN</small>						69/78
<b>SUPERSTRUCTURE</b> <b>BRIDGE NO. LAK-2-1029</b> <b>S.R.2 UNDER MUNSON ROAD</b> LAKE COUNTY						
DESIGNED	DRAWN	TRACED	CHECKED	REVIEWED	DATE	REVISED
J.P.R.	R.L.M.	R.L.M.	R.J.C.	J.E.A.	11/15/88	