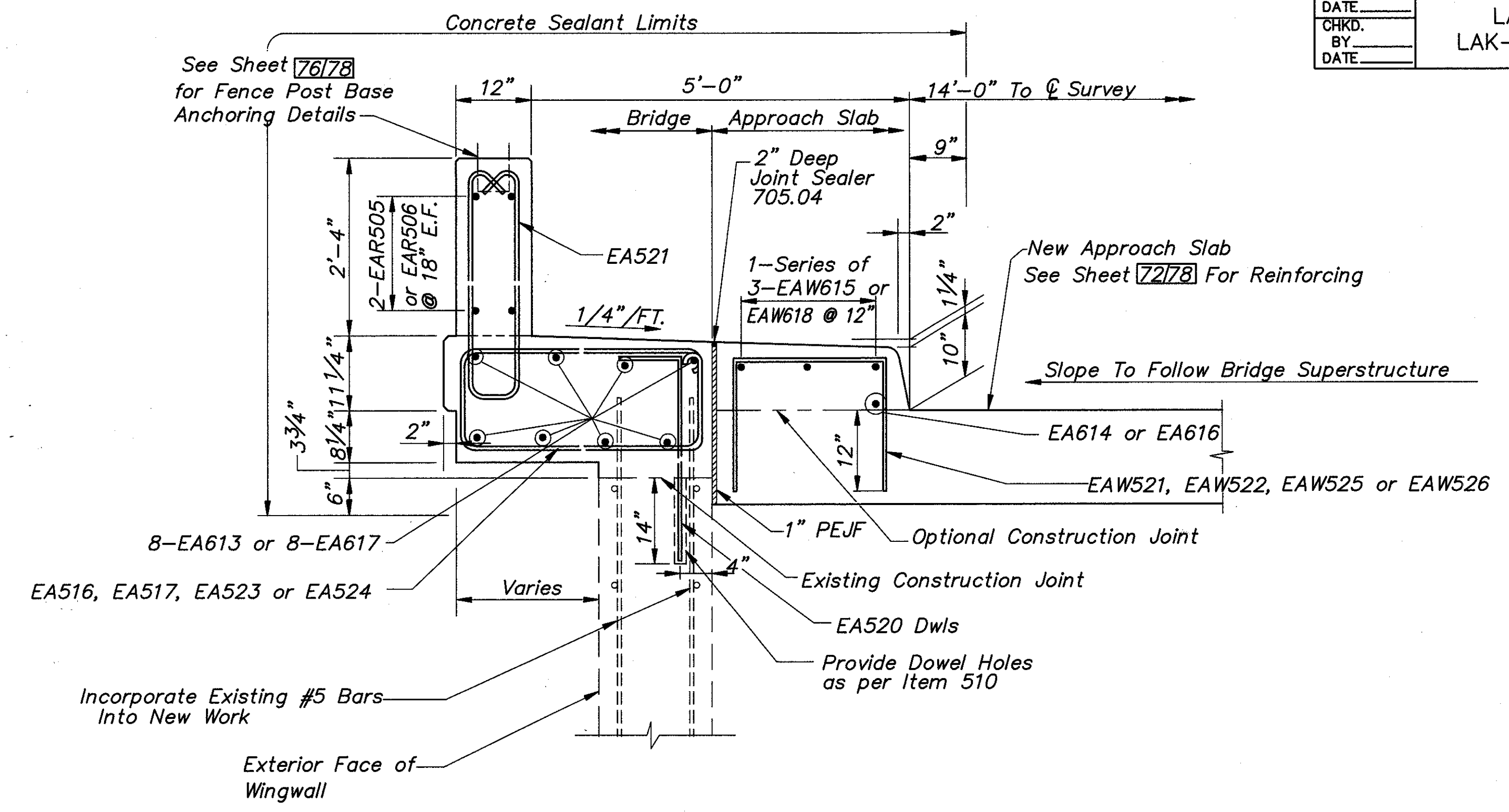
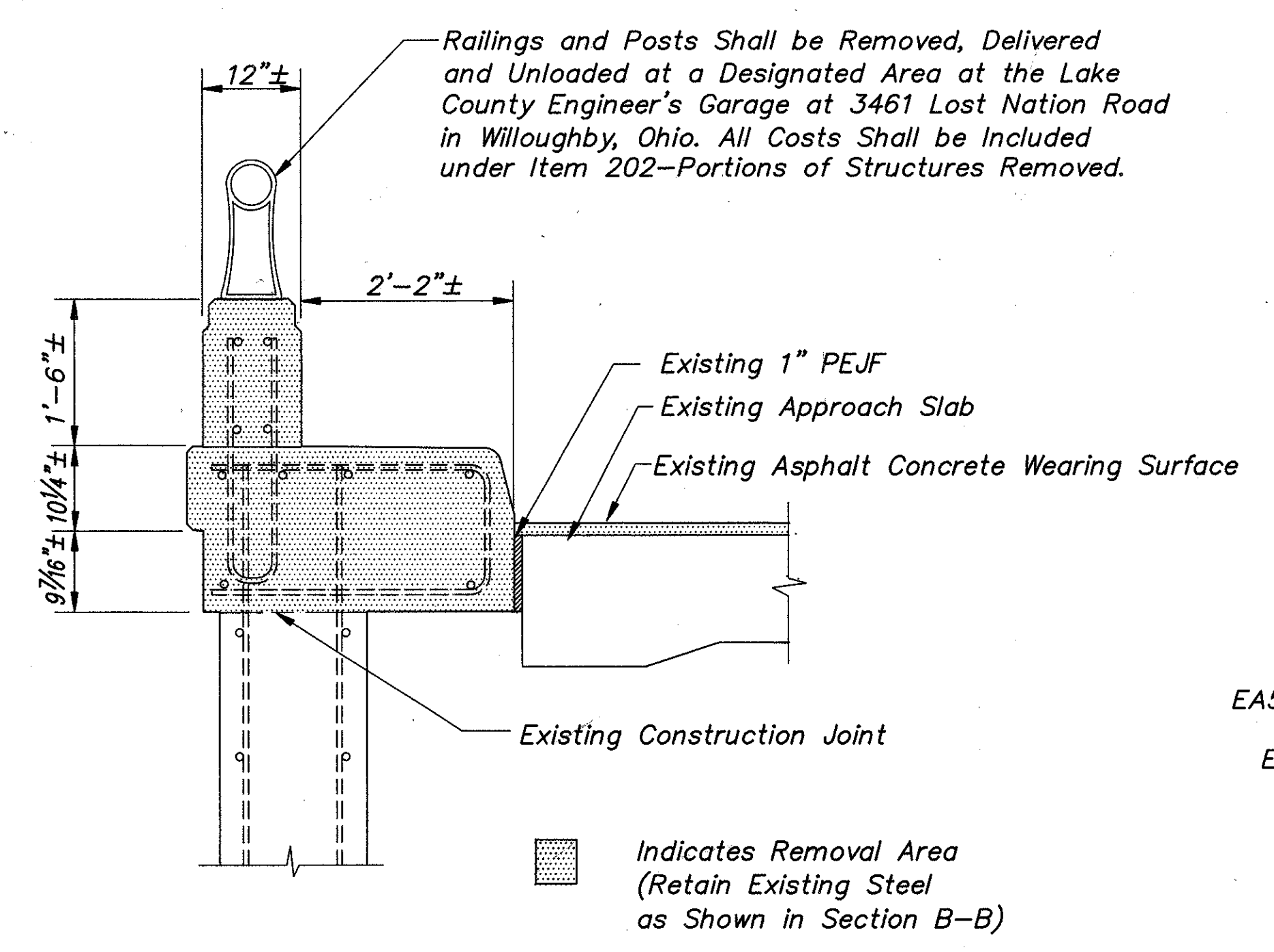


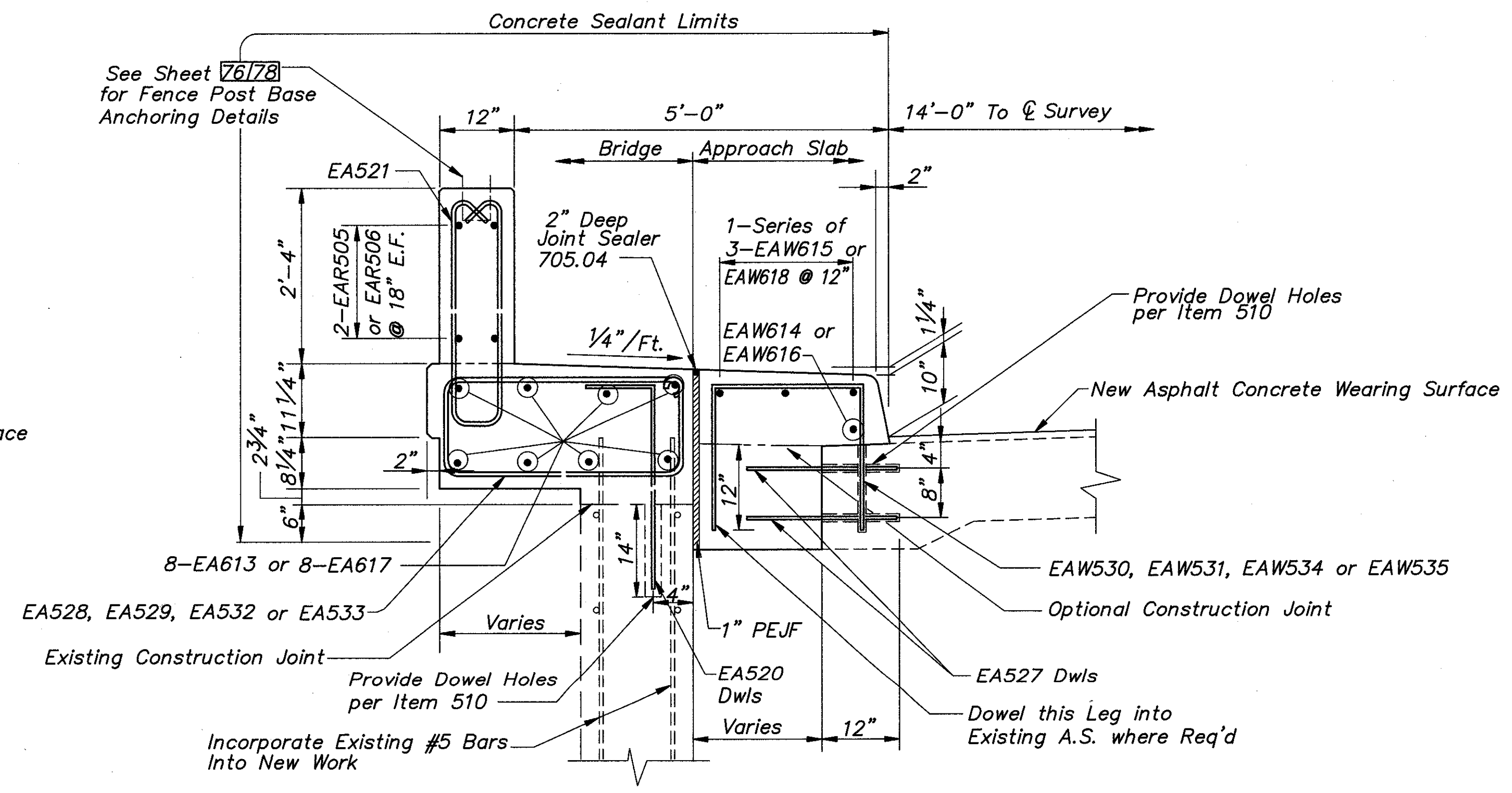
REMOVAL SECTION AT REAR APPROACH SLAB



SECTION A-A
PROPOSED PARAPET ON REAR ABUTMENT WINGWALLS



REMOVAL SECTION AT FORWARD APPROACH SLAB



SECTION B-B
PROPOSED PARAPET ON FORWARD ABUTMENT WINGWALLS

Notation: E.F. - Each Face
A.S. - Approach Slab

COLPETZER-THOMAS, INC. AN ENGINEERING GROUP WILLOUGHBY • MENTOR • NORTH CANTON • STEUBENVILLE • LORAIN					
67/78					
WINGWALL SECTIONS BRIDGE NO. LAK-2-1029 S.R.2 UNDER MUNSON ROAD LAKE COUNTY					
DESIGNED	DRAWN	TRACED	CHECKED	REVIEWED	DATE
H.B.M.	R.L.B.	R.L.B.	R.J.C.	J.E.A.	11/15/88
J.P.R.	J.L.J.	J.L.J.			