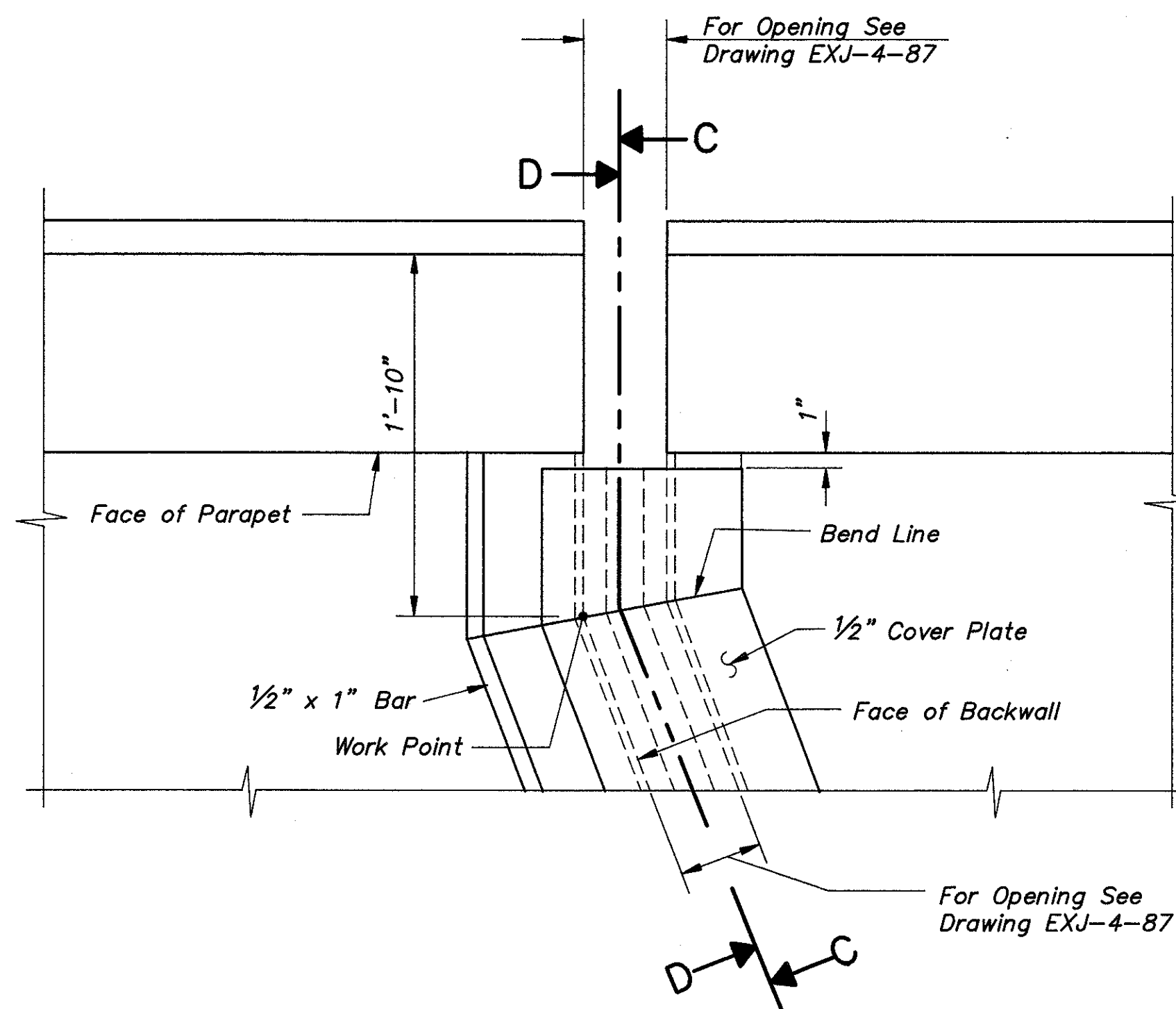
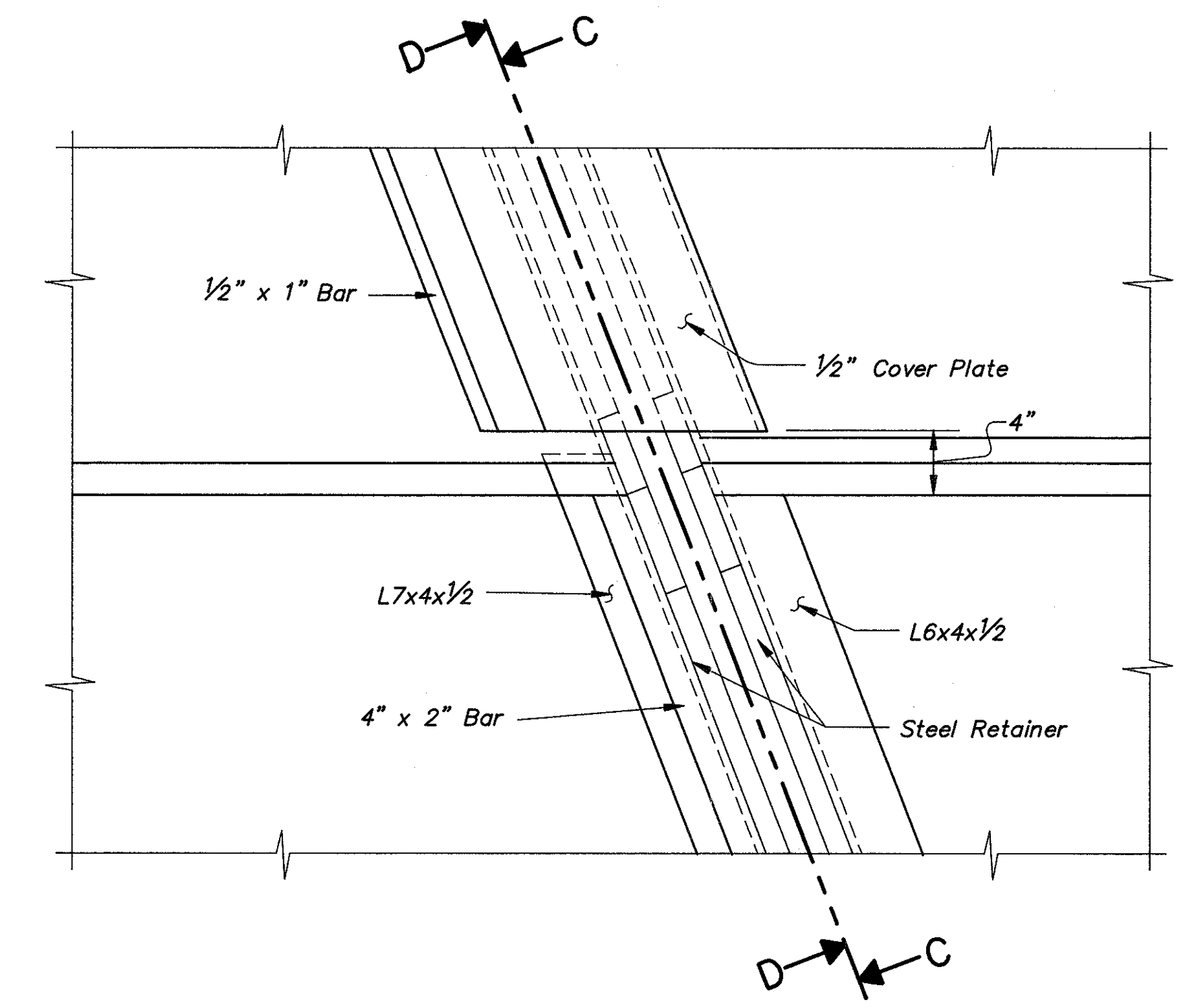


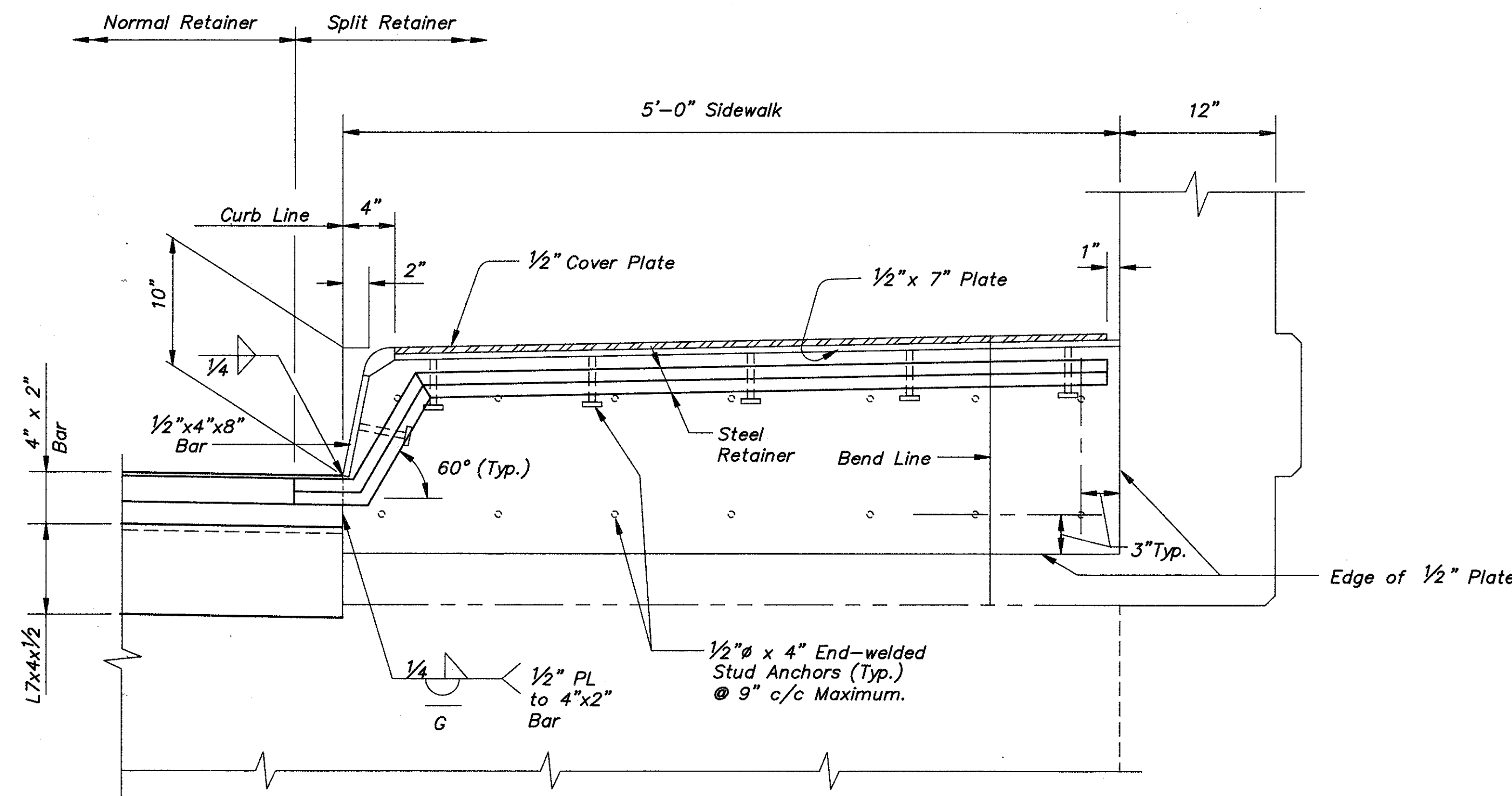
PART PLAN AT ABUTMENT



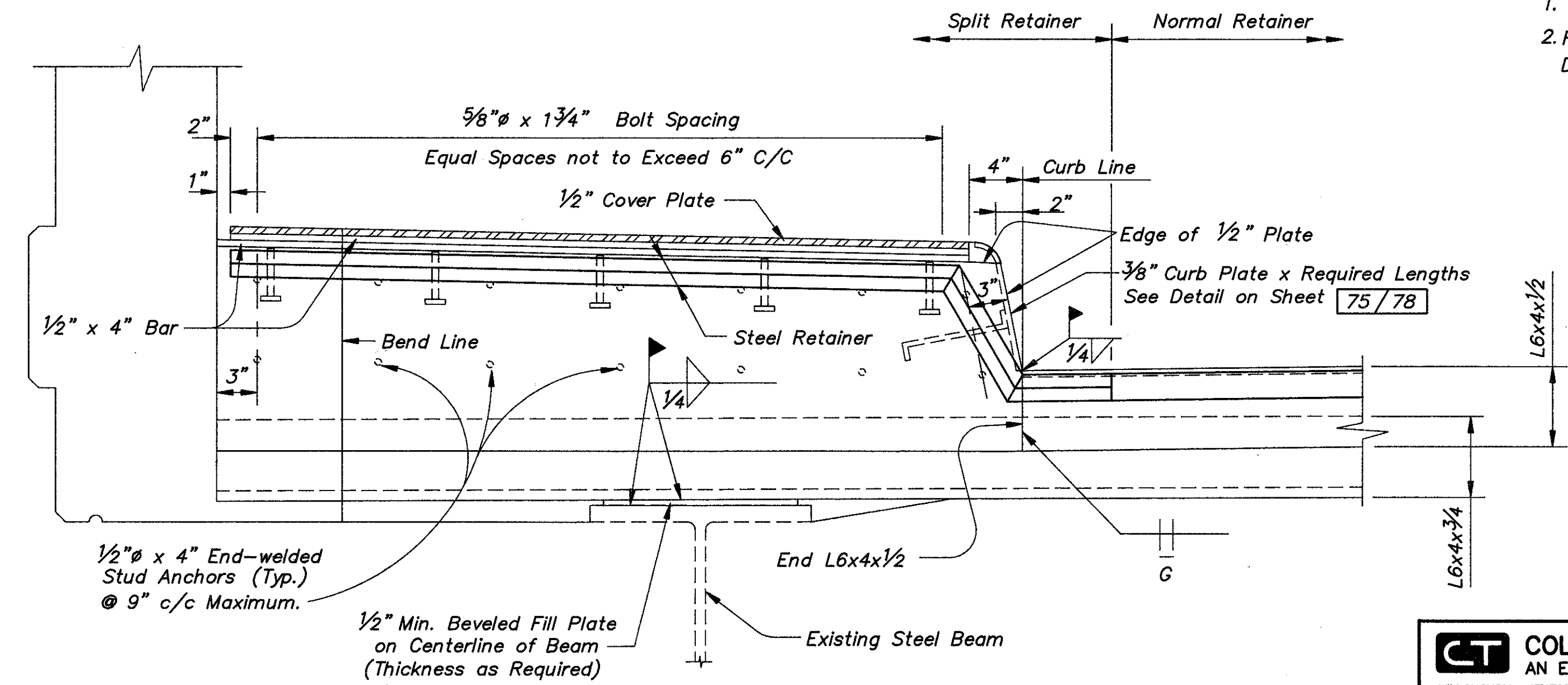
DETAIL "A"



DETAIL "B"



SECTION C-C



SECTION D-D

- Note:
1. Notation: Typ. - Typical
 2. For Section Y-Y, See Drawing EXJ-4-87

COLPETZER-THOMAS, INC.
AN ENGINEERING GROUP
WILLOUGHBY • MENTOR • NORTH CANTON • STEUBENVILLE • LORAIN

EXPANSION JOINT DETAILS
BRIDGE NO. LAK-2-0542
S.R.2 UNDER LOST NATION ROAD
LAKE COUNTY

DESIGNED	DRAWN	TRACED	CHECKED	REVIEWED	DATE	REVISED
J.E.A.	R.L.B.	R.L.B.	B.J.A.	R.J.C.	11/15/88	