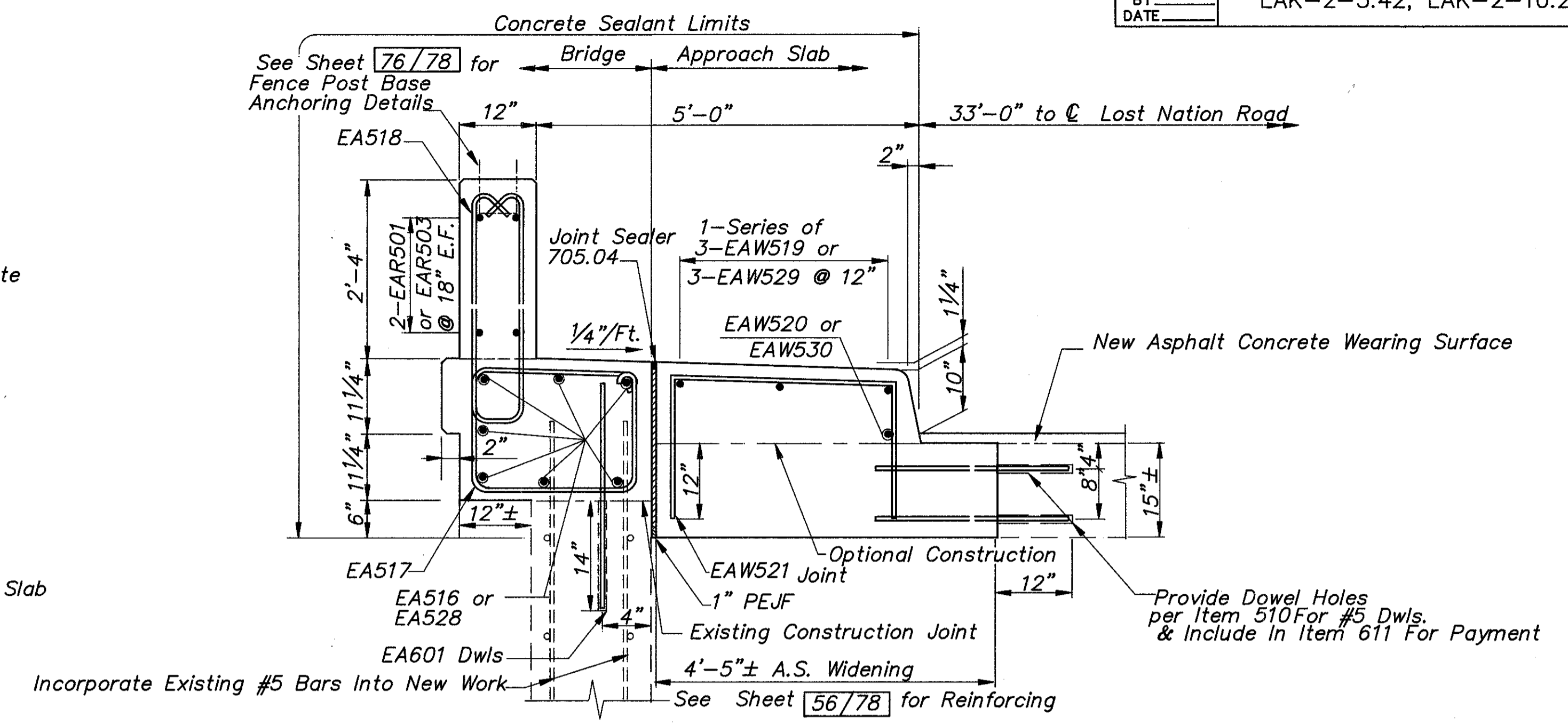


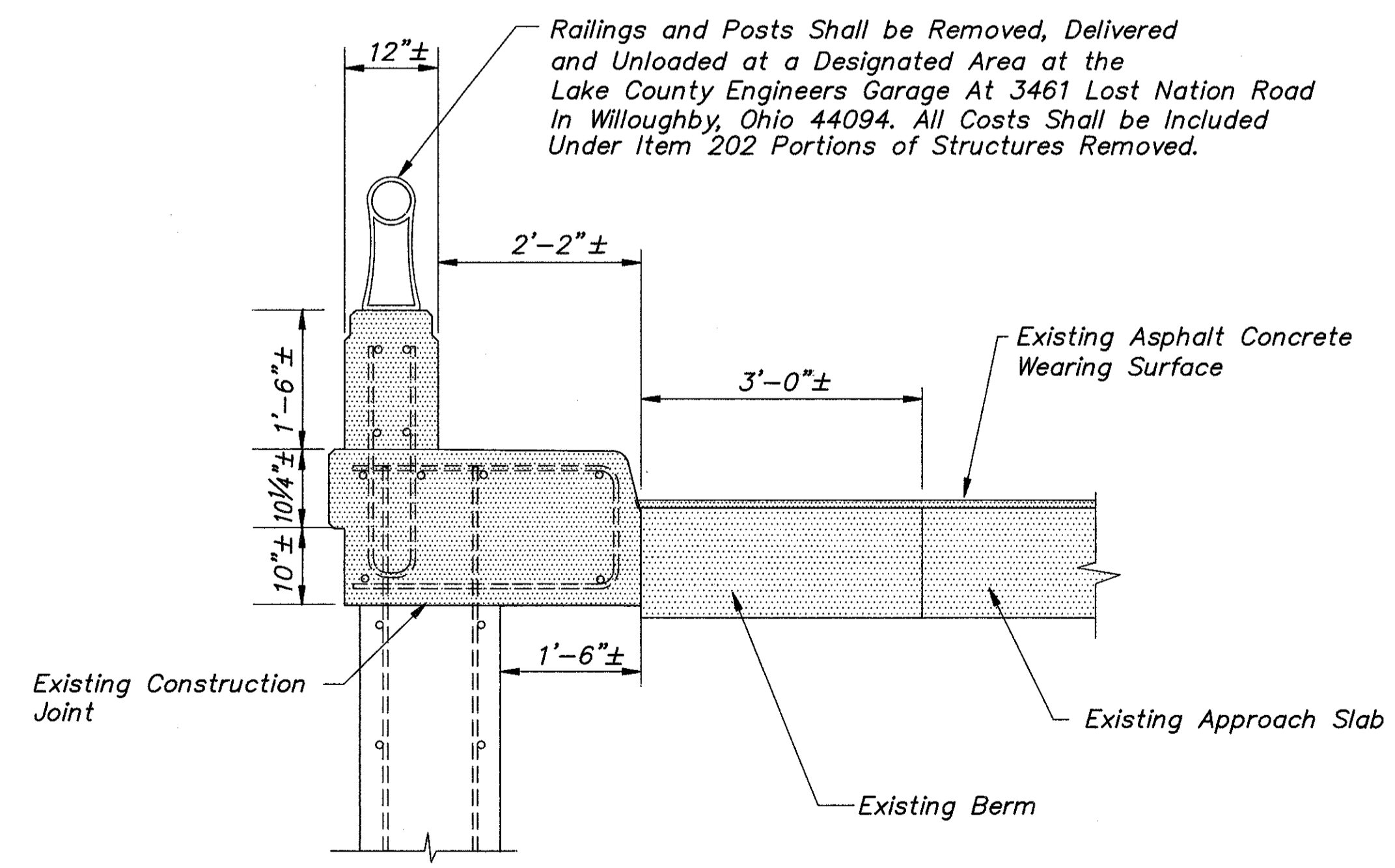
Indicates Removal Area (Retain Existing Steel as Shown in Section A-A)

REMOVAL SECTION AT REAR APPROACH SLAB



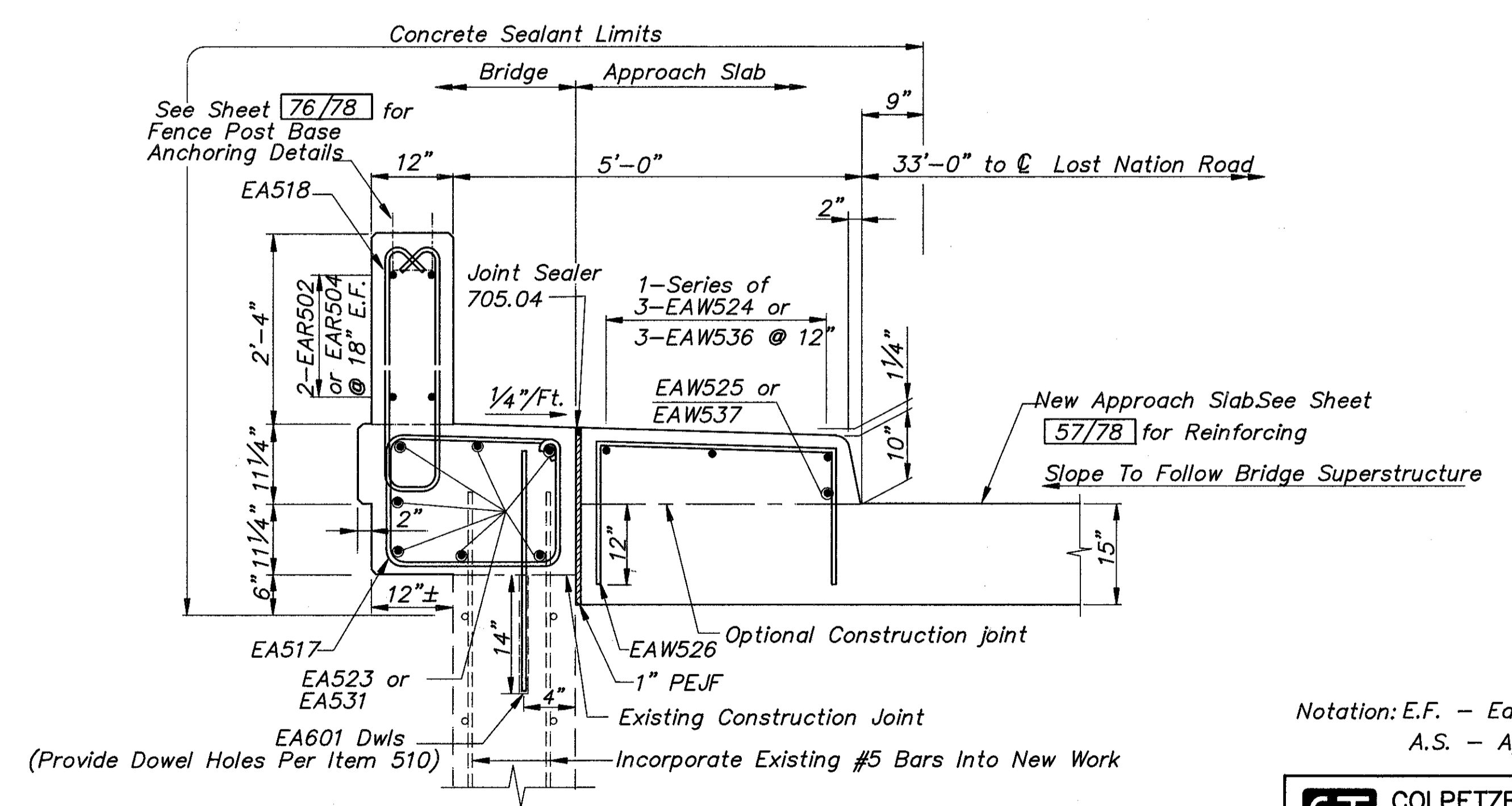
SECTION A-A
PROPOSED PARAPET ON REAR ABUTMENT WINGWALLS

Note: 1" PEJF and 2" Joint Sealer Included With Approach Slabs For Payment



Indicates Removal Area (Retain Existing Steel as Shown in Section B-B)

REMOVAL SECTION AT FORWARD APPROACH SLAB



SECTION B-B
PROPOSED PARAPET ON FORWARD ABUTMENT WINGWALLS

Notation: E.F. - Each Face
A.S. - Approach Slab

COLPETZER-THOMAS, INC. AN ENGINEERING GROUP WILLOUGHBY • MENTOR • NORTH CANTON • STEUBENVILLE • LORAIN						47/78
WINGWALL SECTIONS BRIDGE NO. LAK-2-0542 S.R.2 UNDER LOST NATION ROAD LAKE COUNTY						
DESIGNED	DRAWN	TRACED	CHECKED	REVIEWED	DATE	REVISED
J.P.R.	R.L.B. M.T.W.	R.L.B. M.T.W.	R.J.C.	J.E.A.	11/15/88	