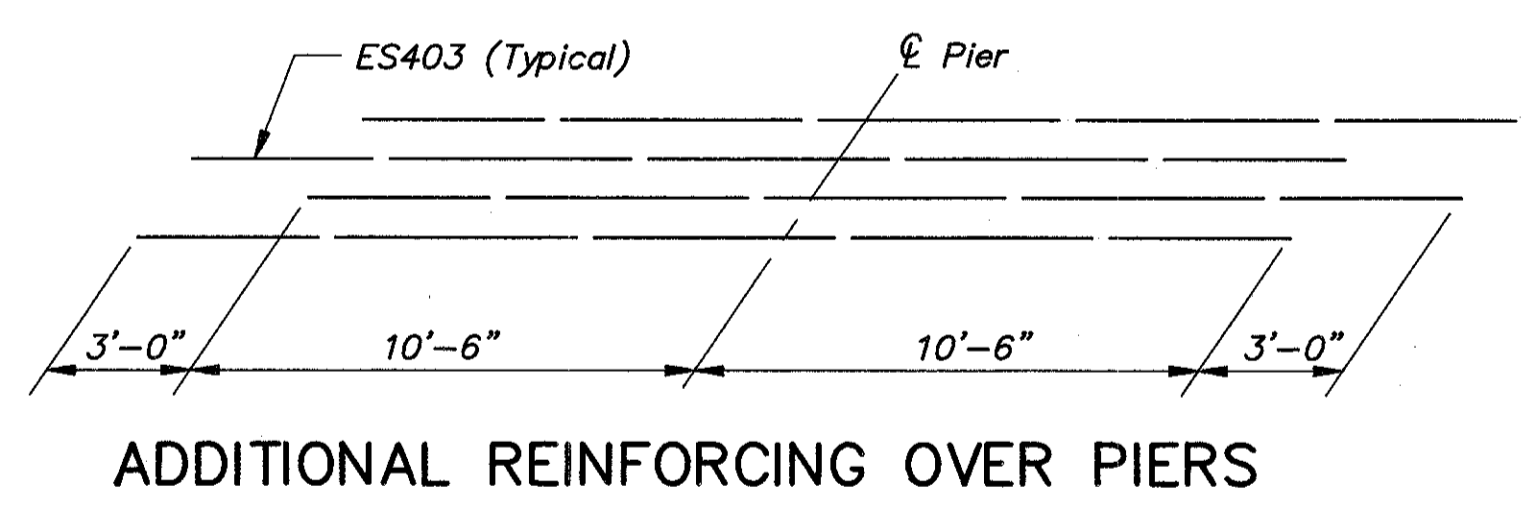
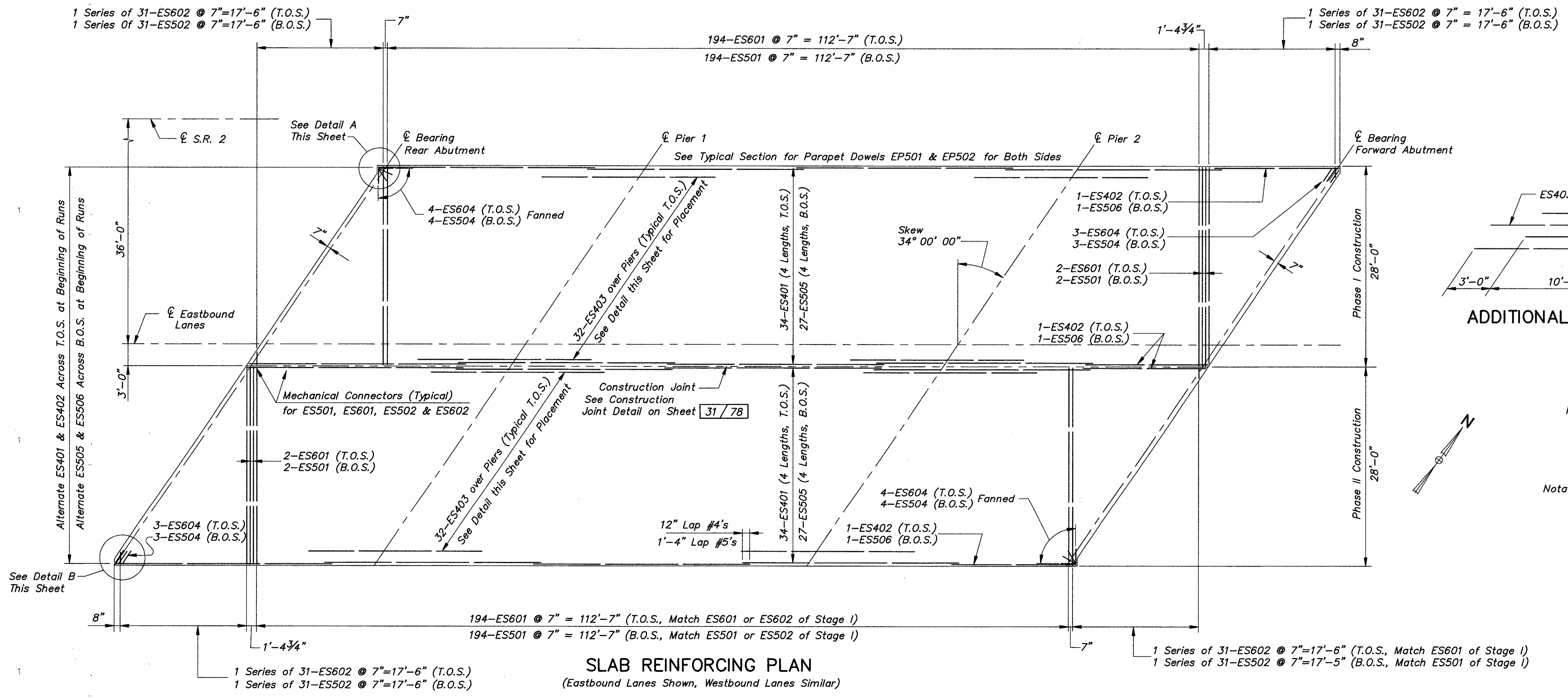
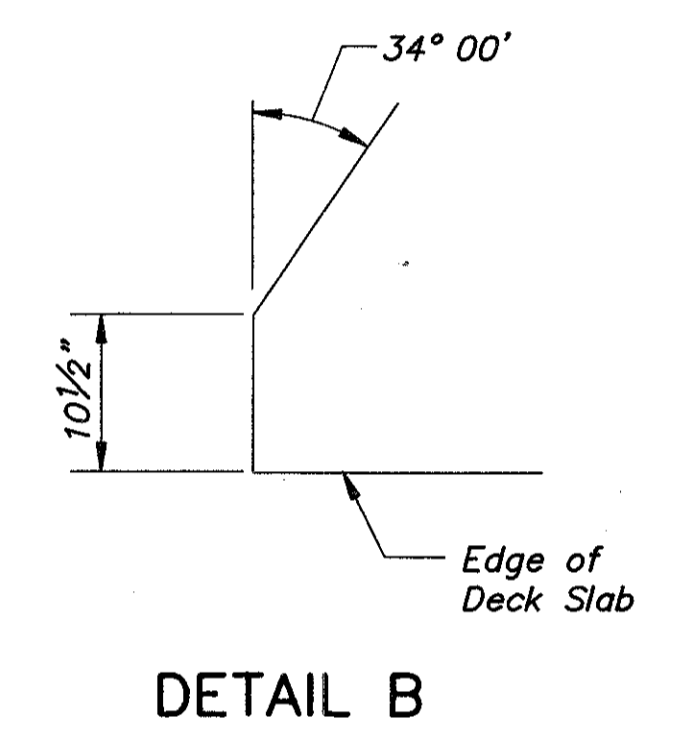
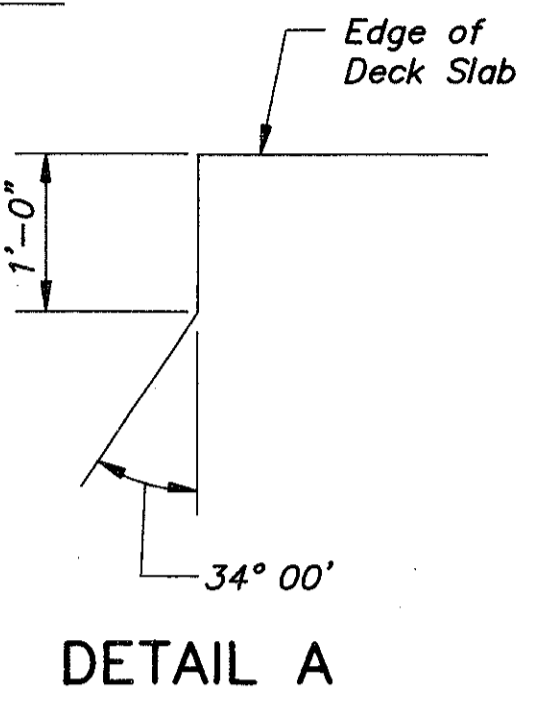


ELEVATION VIEW – PARAPET DEFLECTOR
North Deflector Shown, South Similar



Note: For Expansion Joint Details See Sheet 36/78 and 78/78

Notation: T.O.S.—Top of Slab, B.O.S.—Bottom of Slab
E.F.—Each Face, F.F.—Far Face, N.F.—Near Face

SLAB REINFORCING PLAN
(Eastbound Lanes Shown, Westbound Lanes Similar)

COLPETZER-THOMAS, INC. AN ENGINEERING GROUP WILLOUGHBY • MENTOR • NORTH CANTON • STEUBENVILLE • LORAIN					
SUPERSTRUCTURE BRIDGE NO. LAK-2-0363 L & R OVER BEIDLER ROAD LAKE COUNTY					
DESIGNED	DRAWN	TRACED	CHECKED	REVIEWED	DATE
J.P.R.	R.L.B.	R.L.B.	R.J.C.	J.E.A.	11/15/88