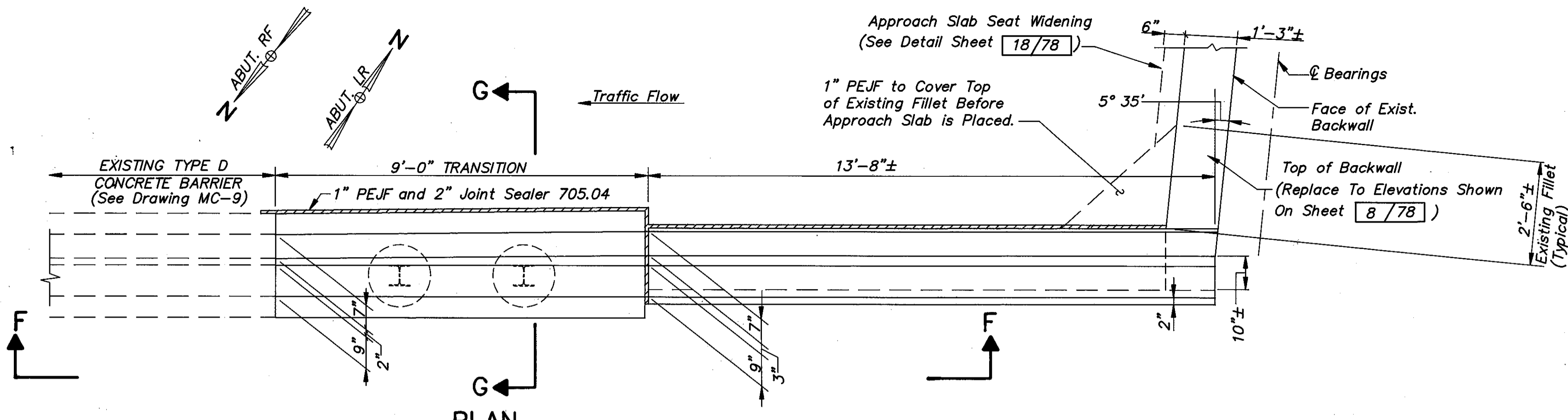
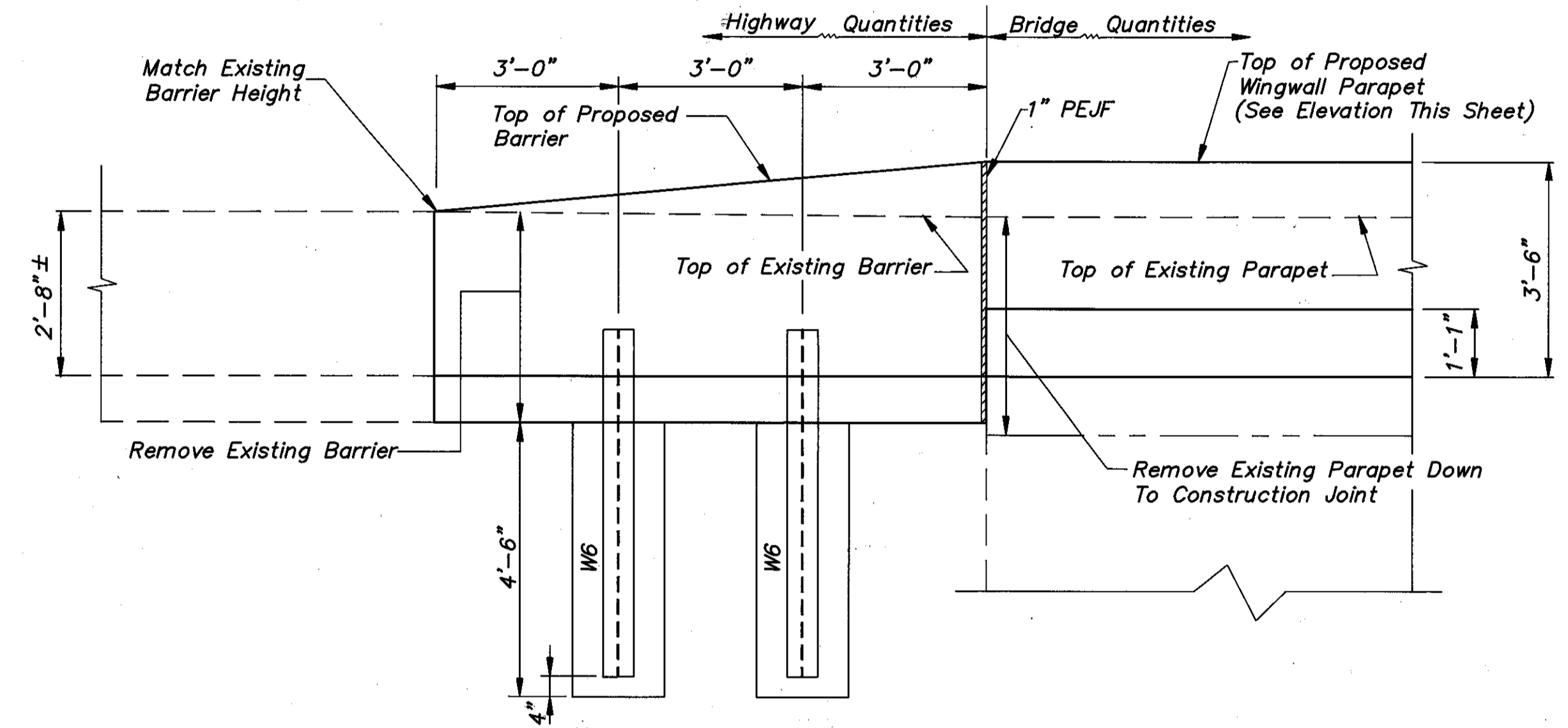


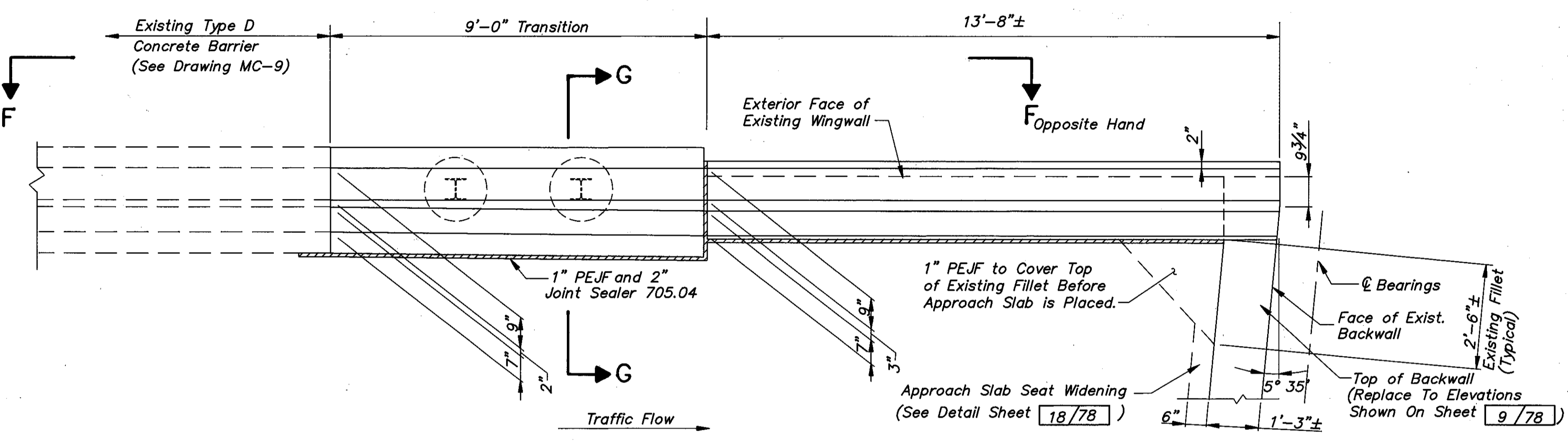
BRIDGE	REAR ABUTMENT LOCATION		FORWARD ABUTMENT LOCATION	
	E	F	E	F
LAK-2-0180 L	667.88±	667.92±	667.89±	667.93±
LAK-2-0180 R	667.87±	667.91±	667.90±	667.94±



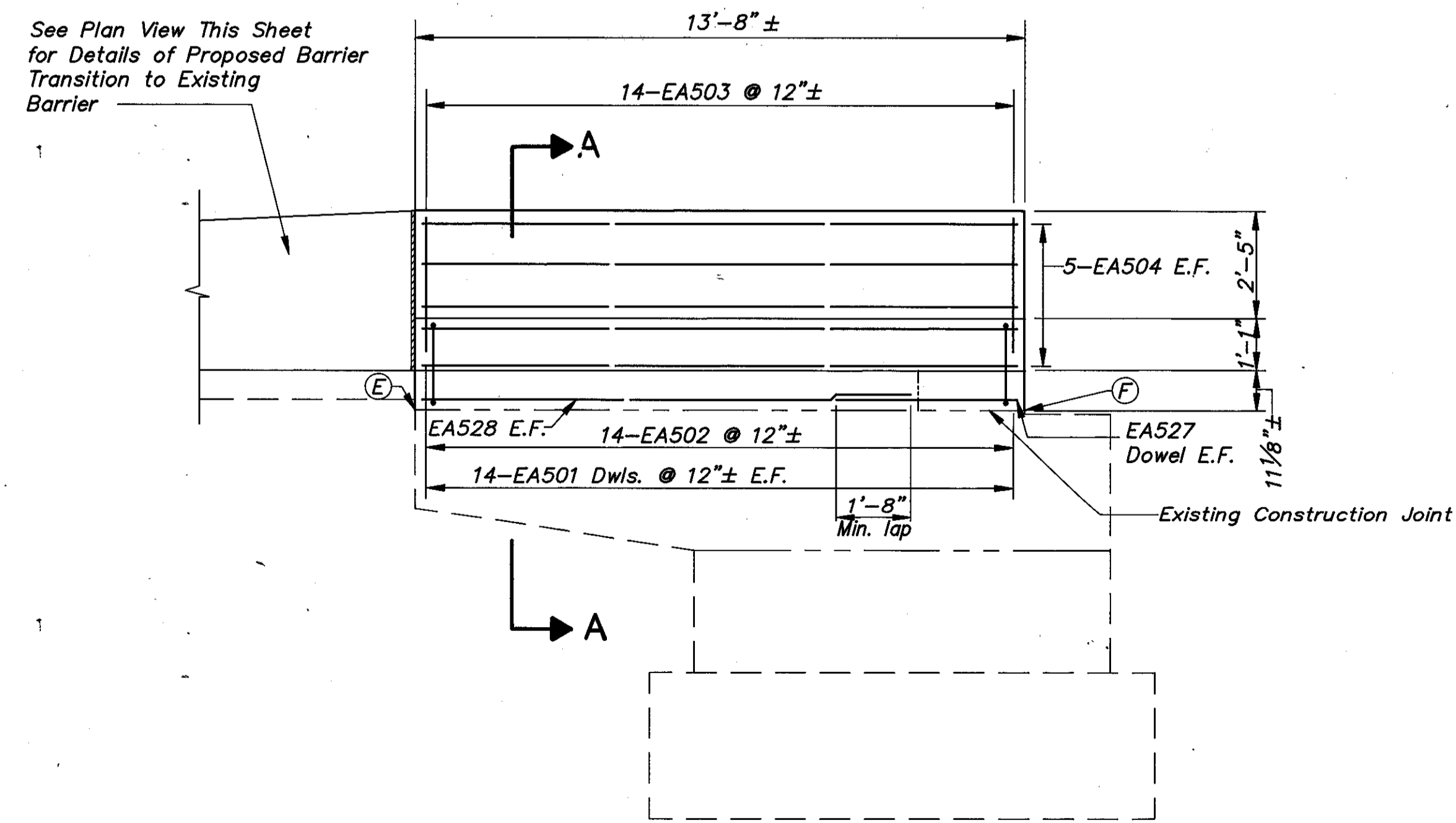
**PLAN**  
PROPOSED MEDIAN BARRIER & WINGWALL PARAPET  
( TYPICAL AT ABUTMENTS LR & RF )



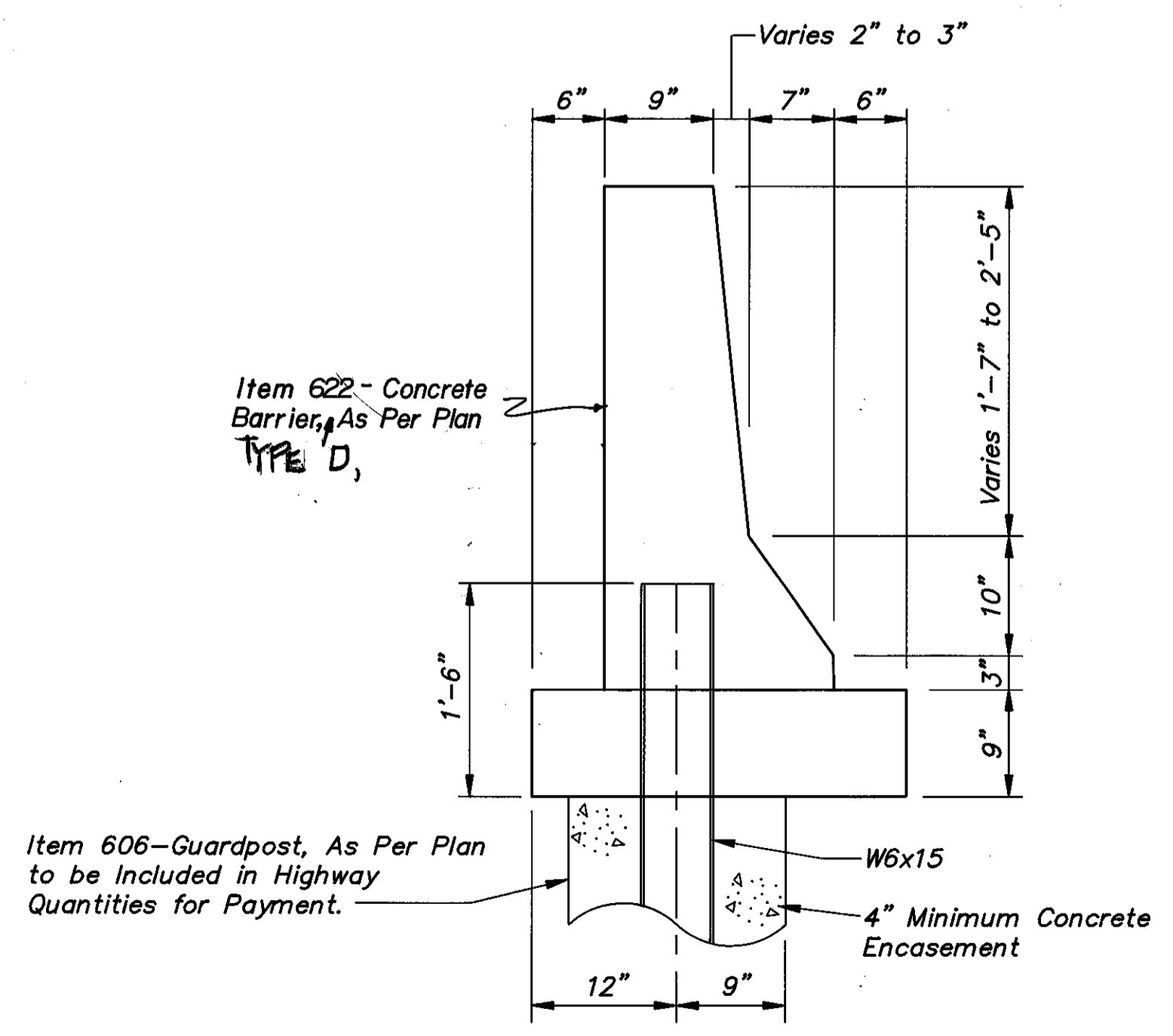
**VIEW F-F**



**PLAN**  
PROPOSED MEDIAN BARRIER & WINGWALL PARAPET  
( TYPICAL AT ABUTMENTS RR & LF )



**ELEVATION**  
PROPOSED PARAPET ON MEDIAN WINGWALL  
( TYPICAL AT ALL ABUTMENTS UNDER PHASE I )



**SECTION G-G**

- Notes:
1. Median Wingwalls Are Adjacent to the Left Driving Lanes.
  2. For Section A-A, See Sheet 12/78.
  3. For Abutment Locations, See General Plan on Sheet 3/78.
  4. Notation: N.F. - Near Face, F.F. - Far Face, E.F. - Each Face  
LR - Left Rear Abut  
LF - Left Forward Abut  
RR - Right Rear Abut  
RF - Right Forward Abut  
Dws. - Dowels, PEJF - Preformed Expansion Joint Filler,  
Exist. - Existing, Abut. - Abutment

WINGWALL DETAILS BRIDGE NO. LAK-2-0180 L & R OVER RUSH ROAD LAKE COUNTY					
DESIGNED	DRAWN	TRACED	CHECKED	REVIEWED	DATE
J.P.R.	M.T.W.	M.T.W.	R.J.C.	J.E.A.	11/15/88
REVISED					