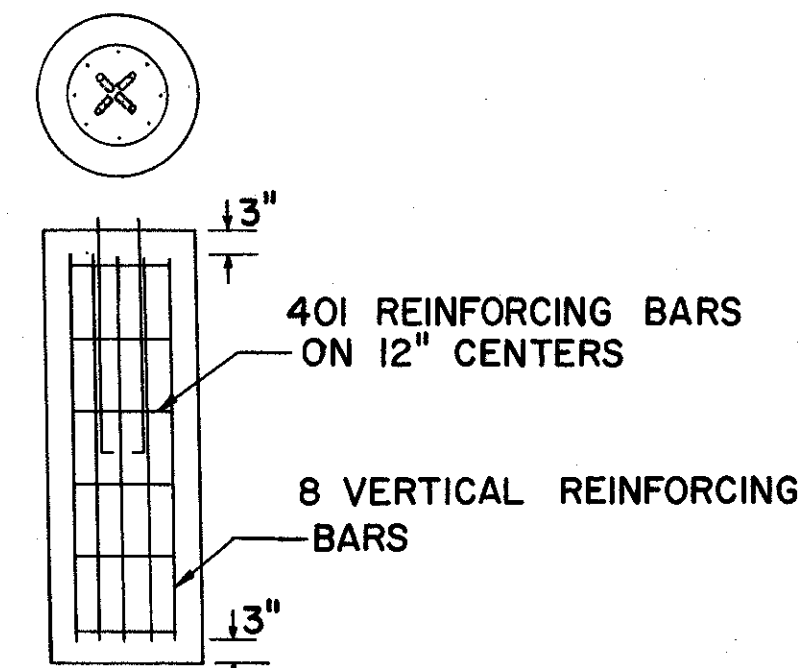


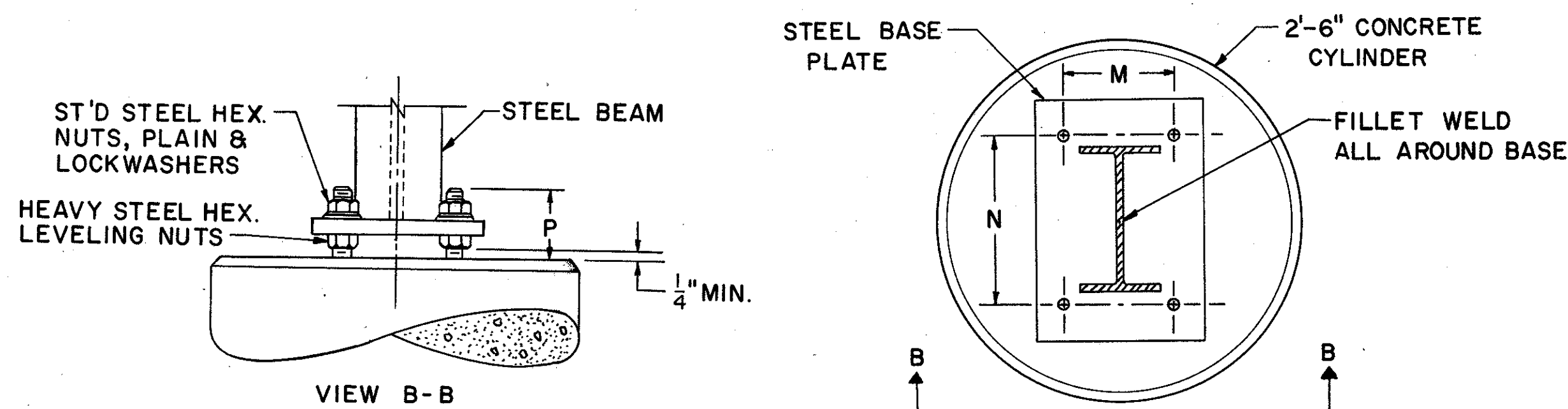
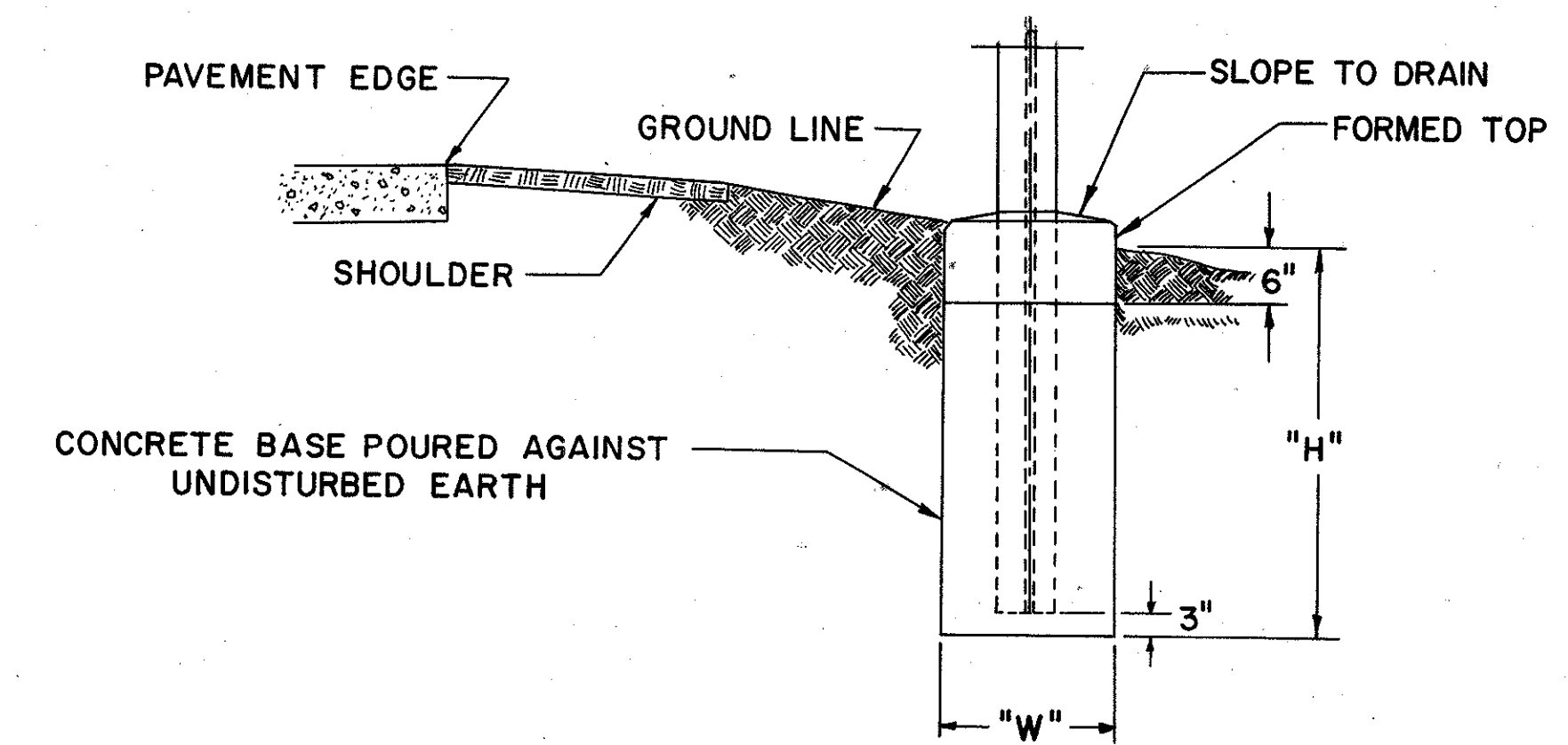
BEAM SIZE	ANCHOR BOLTS		BASE PLATE	HOLE SIZE	DIM. M	DIM. N	DIM. P	WELD SIZE	DIM. H	DIM. W	CU. YDS. FOR 2 POST	MARK	TYPE	NO.	LENGTH	WEIGHT FOR 1 POST
	DIA.	LENGTH														
10B11.5	3/4"	3'-0"	7/8" x 6" x 18"	7/8"	3 1/2"	14"	3 1/2"	1/4"	5.25'	2'-6"	1.9	401	IOI	6	7'-6"	45
												402	STR.	8	5'-0"	
10B17	1"	3'-6"	7/8" x 6" x 18"	1 1/8"	3 3/4"	14"	4 1/4"	1/4"	6.0'	2'-6"	2.2	401	IOI	7	7'-6"	52
												403	STR.	8	5'-9"	
12B22	1"	4'-0"	1" x 9" x 19"	1 1/8"	5 1/2"	15"	4 1/4"	1/4"	6.75'	2'-6"	2.5	401	IOI	8	7'-6"	61
												404	STR.	8	7'-0"	
12WF27	1 1/4"	4'-0"	1" x 9" x 19"	1 3/8"	5 1/2"	15"	5 1/4"	1/4"	8.0'	2'-6"	2.9	401	IOI	9	7'-6"	94
												501	STR.	8	8'-0"	
14WF30	1 1/4"	4'-0"	1" x 11" x 20"	1 3/8"	7 1/2"	16"	5 1/4"	5/16"	8.25'	2'-6"	3.0	401	IOI	10	7'-6"	101
												502	STR.	8	8'-6"	
14WF34	1 1/4"	4'-0"	1" x 12" x 22"	1 3/8"	9"	18"	5 1/4"	5/16"	9.0'	2'-6"	3.3	401	IOI	10	7'-6"	103
												503	STR.	8	8'-9"	
16WF36	1 1/2"	5'-0"	1 1/4" x 14" x 23"	1 5/8"	10"	19"	6"	5/16"	9.75'	2'-6"	3.5	401	IOI	11	7'-6"	145
												601	STR.	8	9'-3"	
16WF40	1 1/2"	5'-6"	1 1/4" x 14" x 24"	1 5/8"	10"	20"	6"	5/16"	10.0'	2'-6"	3.6	401	IOI	11	7'-6"	148
												602	STR.	8	9'-6"	
16WF45	1 1/2"	6'-0"	1 1/4" x 14" x 24"	1 5/8"	10"	20"	6"	5/16"	10.5'	2'-6"	3.8	401	IOI	11	7'-6"	155
												603	STR.	8	10'-0"	
18WF50	1 3/4"	7'-6"	1 1/2" x 14" x 26"	1 7/8"	10"	22"	6 3/4"	5/16"	11.5'	2'-6"	4.2	401	IOI	12	7'-6"	164
												604	STR.	8	10'-6"	



REINFORCING FOR ALTERNATE ANCHOR BASE

BEAM SIZE	DIM. W	DIM. H	CU. YDS. CONC. 2 POST
4# POST	1'-0"	4.0'	0.2
4# BEAM	1'-0"	4.0'	0.2
6# BEAM	1'-0"	4.0'	0.2
8# BEAM	1'-0"	4.0'	0.2
10B11.5	2'-6"	5.25'	1.9
10B17	2'-6"	6.0'	2.2
12B22	2'-6"	6.75'	2.5
12WF27	2'-6"	8.0'	2.9
14WF30	2'-6"	8.25'	3.0
14WF34	2'-6"	9.0'	3.3
16WF36	2'-6"	9.75'	3.5
16WF40	2'-6"	10.0'	3.6
16WF45	2'-6"	10.5'	3.8
18WF50	2'-6"	11.5'	4.2

FOUNDATION DETAILS FOR EMBEDDED POSTS AND BEAMS



ALTERNATE ANCHOR BASE DETAILS

NOTES

PLAN QUANTITIES FOR POSTS AND STRUCTURAL SUPPORTS ARE BASED UPON THE "FOUNDATION DETAILS FOR EMBEDDED POSTS AND BEAMS".

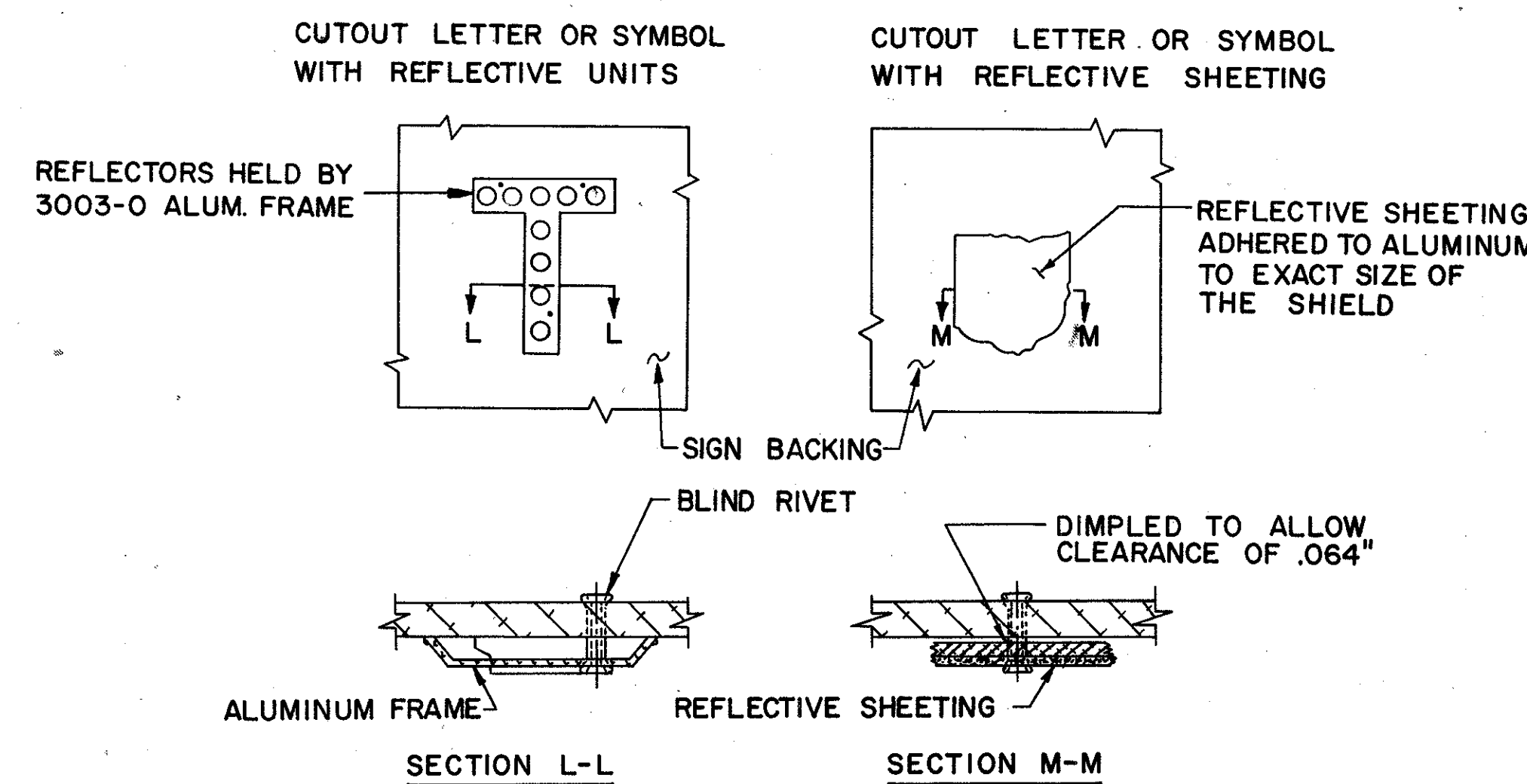
IF THE CONTRACTOR ELECTS TO USE THE METHOD SHOWN FOR "ALTERNATE ANCHOR BASE DETAILS", THE PLAN QUANTITY OF EMBEDDED BEAM ONLY WILL BE ALLOWED IN EXCHANGE AND FULL PAYMENT FOR THE BASE PLATE, ANCHOR BOLTS AND REINFORCING STEEL.

WHERE ANCHOR BASES ARE USED, THE BEAM SIZE SHALL DETERMINE THE ANCHOR BOLT AND BASE PLATE SIZE.

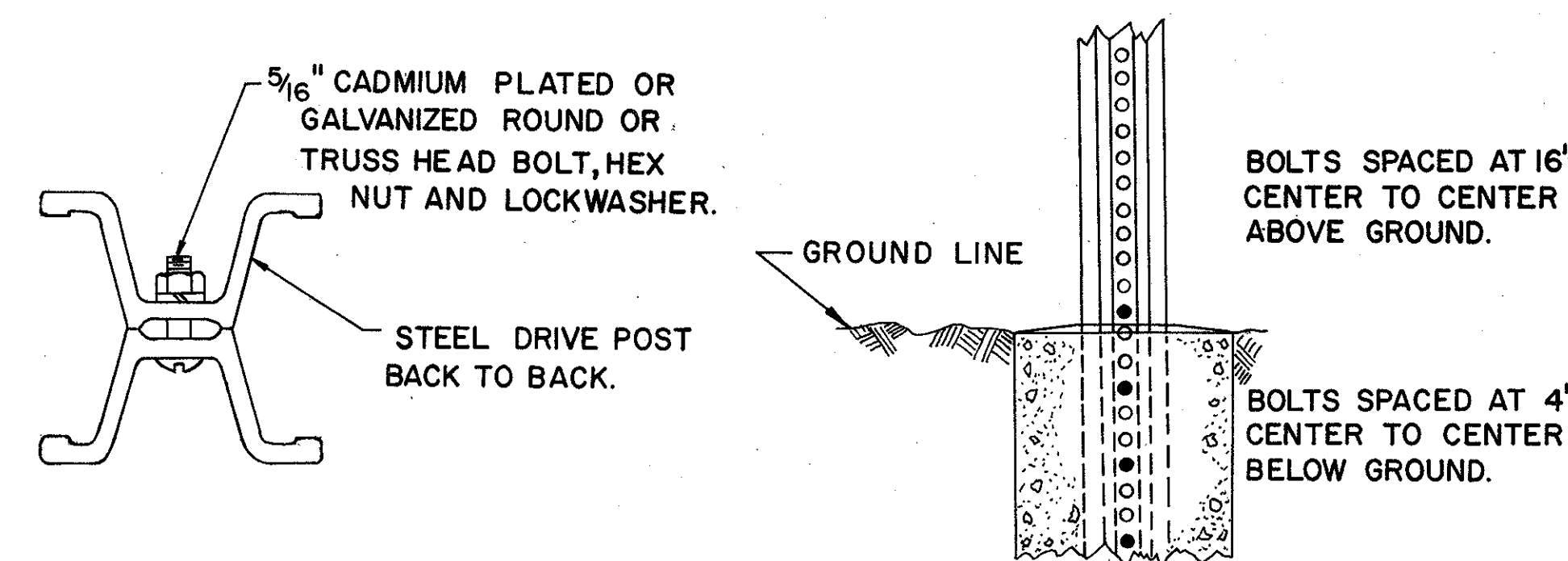
DEMOUNTABLE UNITS SHALL BE ATTACHED TO THE ALUMINUM PANELS WITH ALUMINUM BLIND RIVETS. CARE SHALL BE TAKEN TO INSURE THAT ALL SEGMENTS OF EACH LETTER OR SYMBOL ARE SECURELY AFFIXED TO THE BACKING. LETTERS CONTAINING REFLECTIVE UNITS SHALL BE FASTENED IN ACCORDANCE WITH MANUFACTURERS SPECIFICATIONS.

DEMOUNTABLE SHIELDS SHALL BE AFFIXED TO THE BACKING UTILIZING 5/16" TRUSS HEAD BOLTS, PLAIN AND LOCKWASHERS. FOR HOLE LOCATION DETAILS SEE SHEET NO. 137.

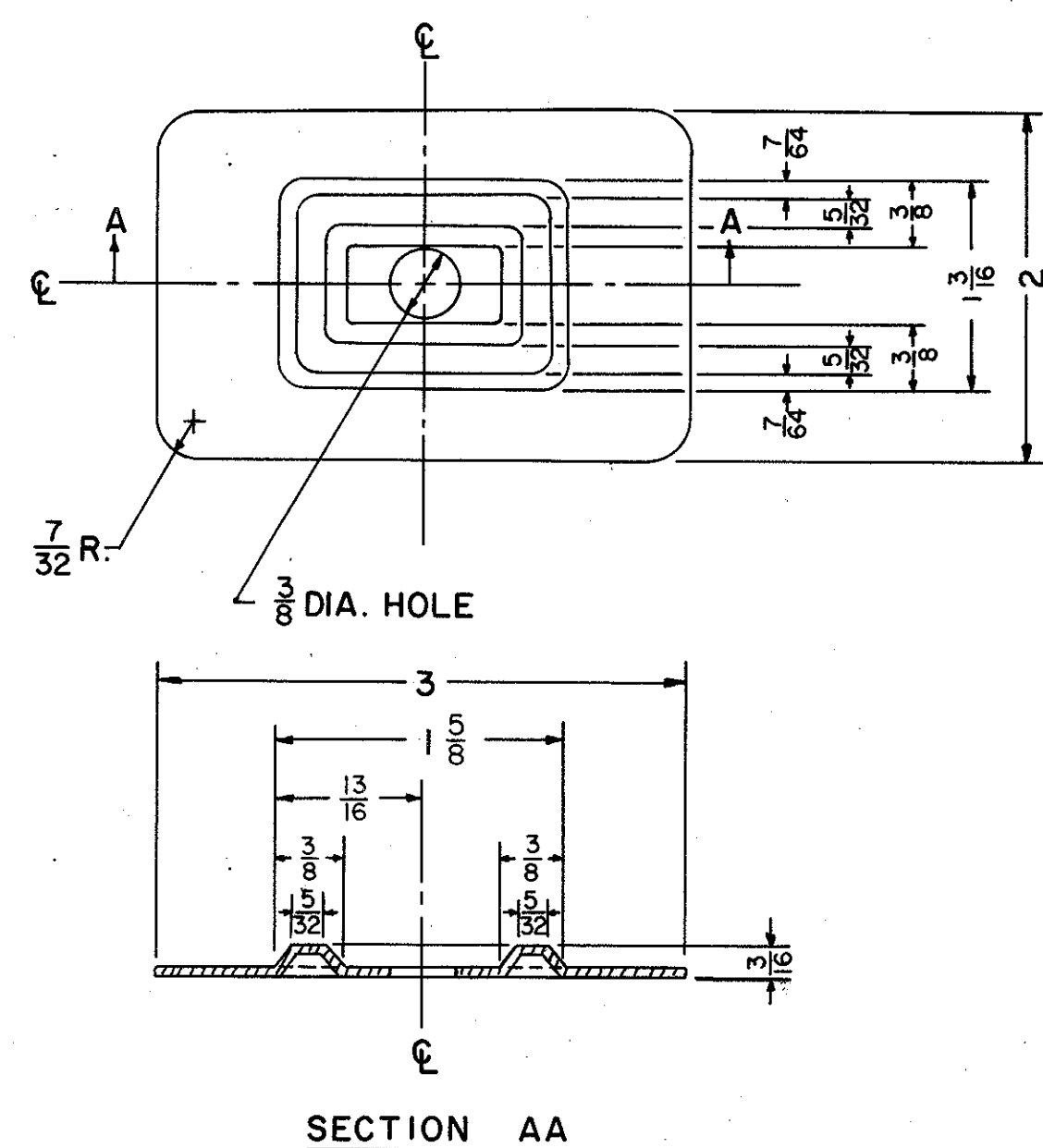
IN LIEU OF THE .040" THICK FRAME SPECIFIED IN SUPPLEMENTAL SPECIFICATION 815.08, THE FRAMES FOR THE REFLECTIVE UNITS IN THE SIGN OUTLINES ONLY, MAY BE .032" THICK ALUMINUM. (A.S.T.M. B209GS1A-T6).



DEMOUNTABLE LETTERS & SYMBOLS

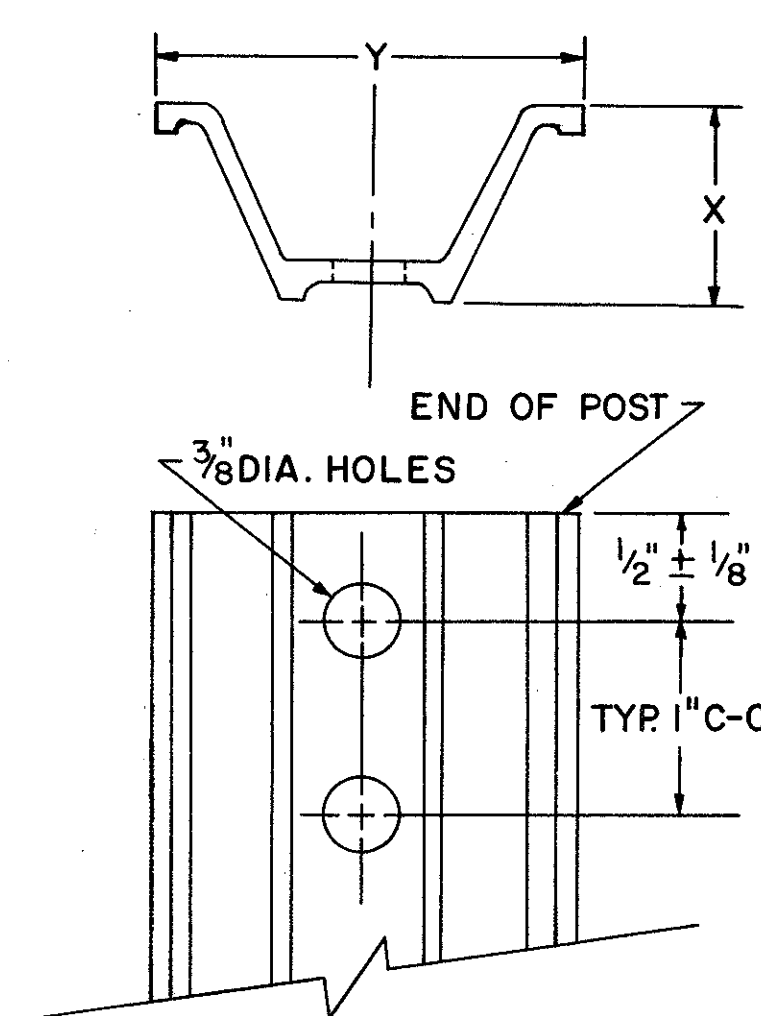


6# & 8# BEAM DETAILS



BEARING PLATE DETAIL

NOTE:
THE PLATE IS SYMMETRICAL ABOUT EITHER CENTERLINE.
METAL SHALL BE 16 GAUGE STEEL.
ALL DIMENSIONS ARE IN INCHES.



DRIVE POST DETAILS

WEIGHT PER FOOT	X ± 3/32"	Y ± 1/8"
2.00 #	1 5/32"	3 1/16"
3.00 #	1 7/8"	3 1/2"
4.00 #	2"	3 5/8"

BUREAU OF TRAFFIC
OHIO DEPARTMENT OF HIGHWAYS

MISCELLANEOUS
SIGNING ITEMS

MSI

DATE:
10-29-63
8-19-64
10-13-65

APPROVED *Fred C. Taylor*
ENGINEER OF TRAFFIC