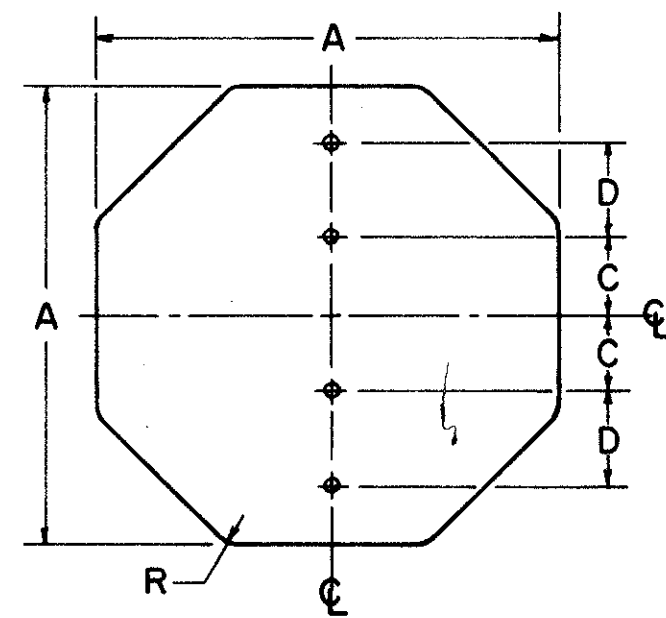
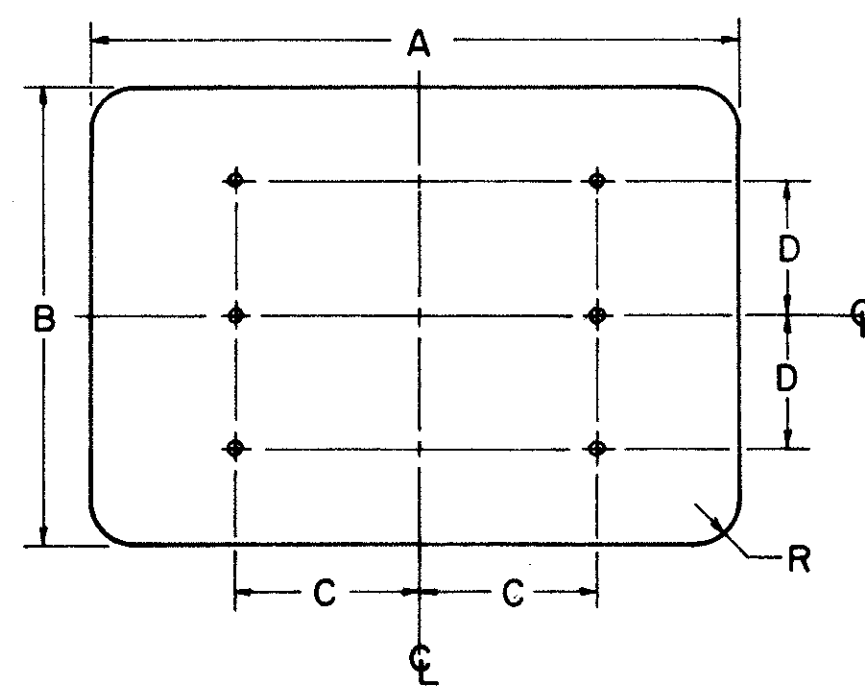


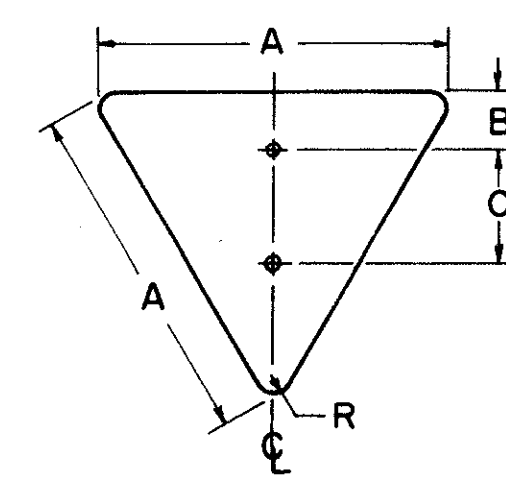
A	C	R	GAUGE
30	8	1 1/2	.080
36	8	1 1/2	.080



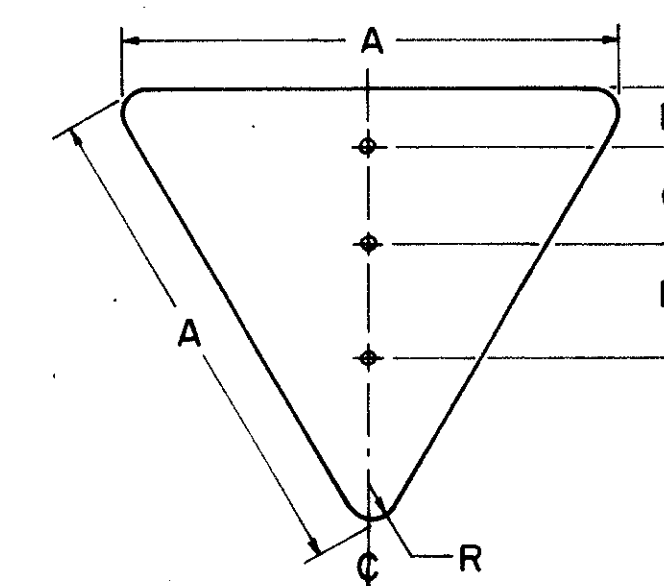
A	C	D	R	GAUGE
48	8	10	1 1/2	.100



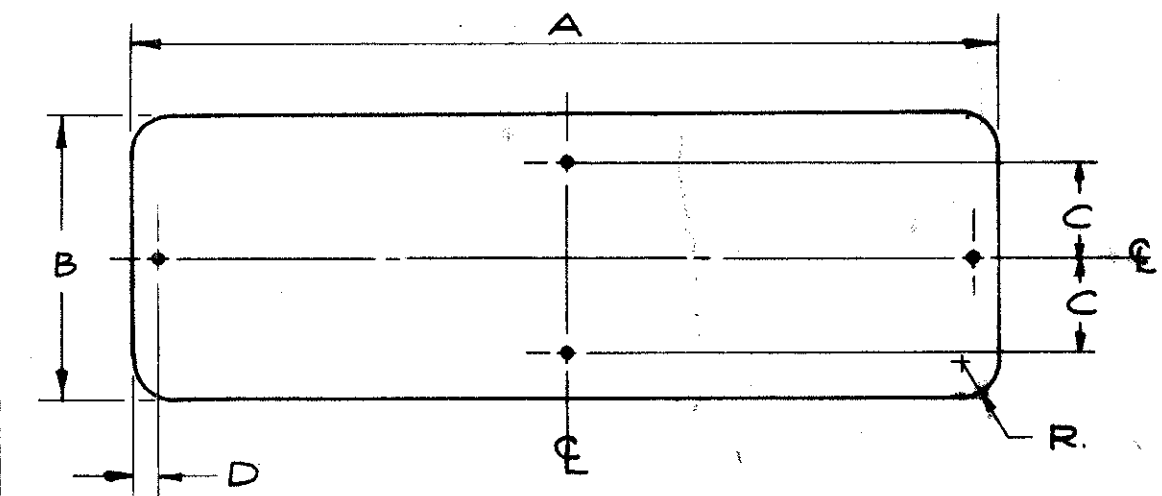
A	B	C	D	R	GAUGE
78	60	22	22	6	.100
96	48	27	16	6	.100
48	60	22	22	3	.100
48	48	22	16	3	.100



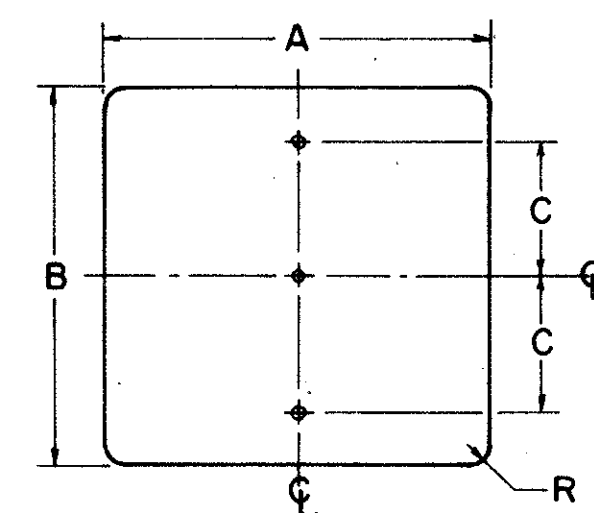
A	B	C	R	GAUGE
36	3	16	2 1/2	.080



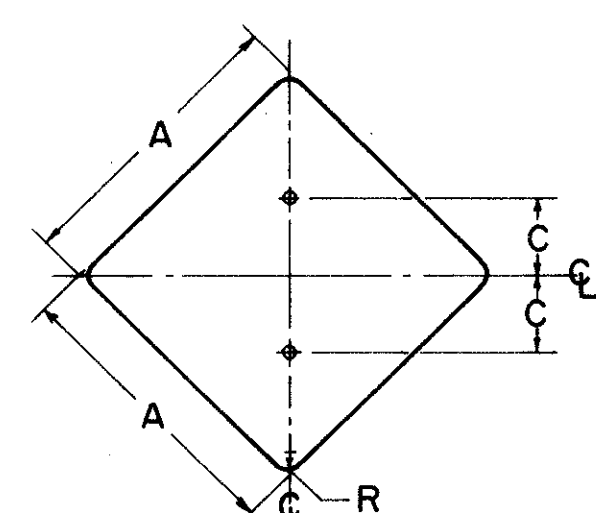
A	B	C	D	R	GAUGE
60	5	10	15	4	.100
48	4	10	15	3	.100



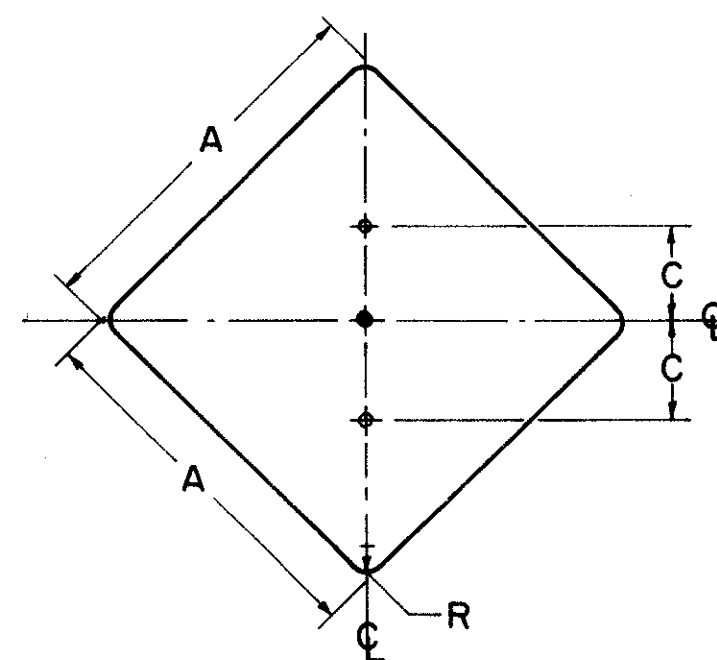
A	B	C	D	R	GAUGE
36	12	4	1	1 1/2	.080



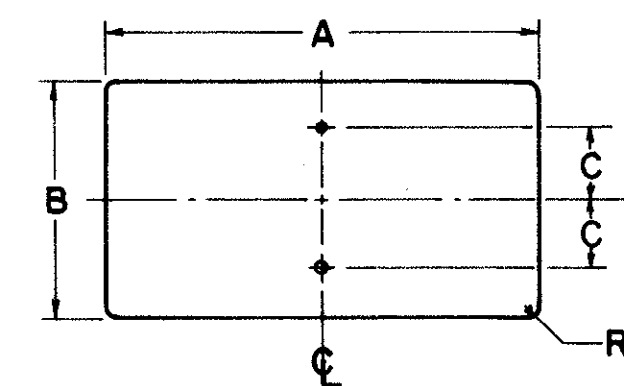
A	B	C	R	GAUGE
36	42	15	1 1/2	.080
48	36	13	3	.100



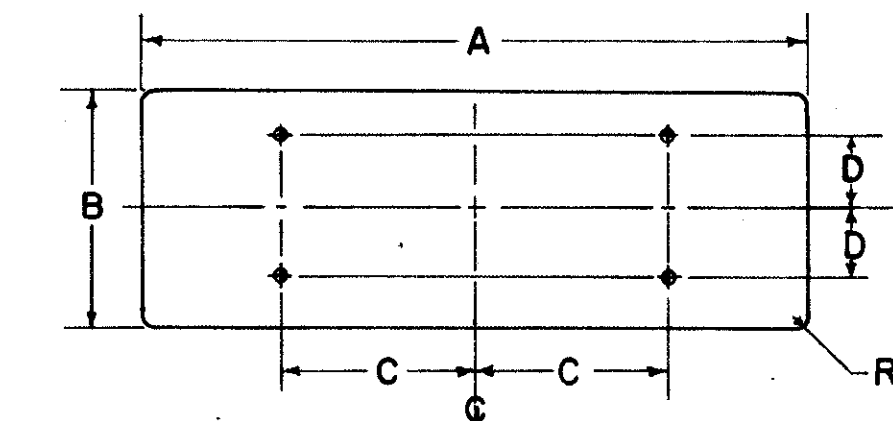
A	C	R	GAUGE
36	8 1/2	1 1/2	.080



A	C	R	GAUGE
48	14	3	.100

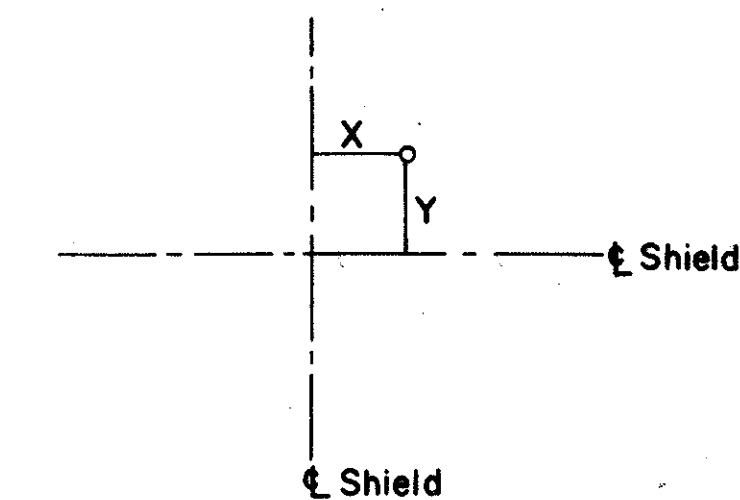


A	B	C	R	GAUGE
24	30	8	1 1/2	.063
24	24	8	1 1/2	.063
30	30	8	1 1/2	.080
24	12	4 1/2	1 1/2	.063
20	15	6	1 1/2	.063
36	18	7 1/2	1 1/2	.080
30	42	12	1 1/2	.080
30	36	10 1/2	1 1/2	.080



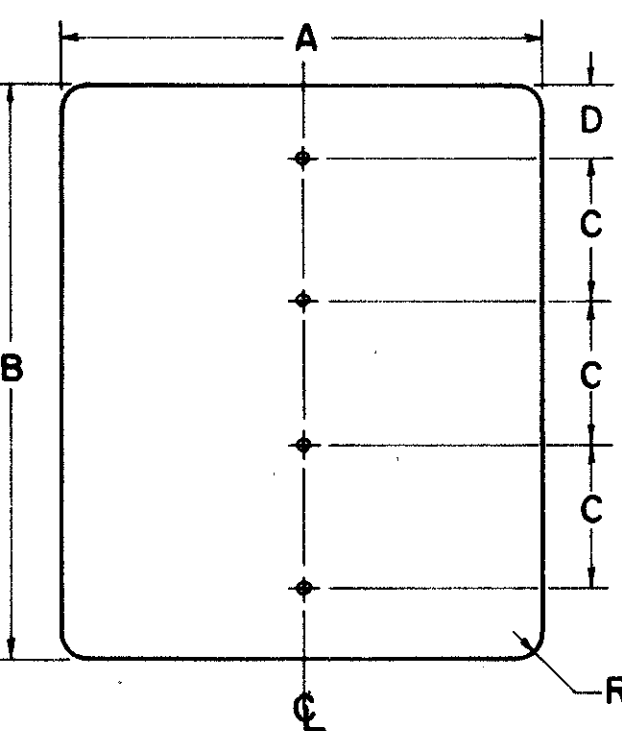
A	B	C	D	R	GAUGE
78	30	22	8	6	.100
48	24	13	7	1 1/2	.100

Location of holes on "Demountable Shields" (attached to guide signs)

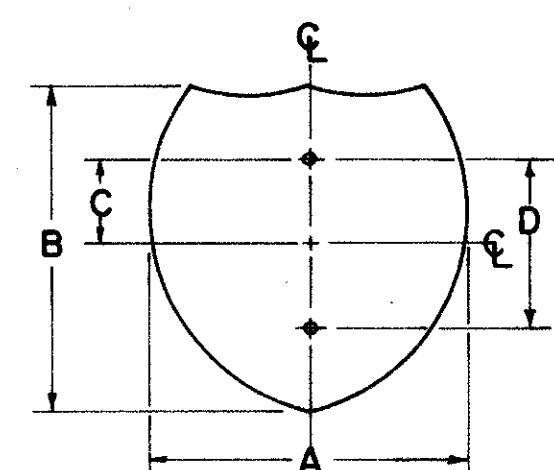


SIZE	NO. HOLES	X	Y
(26) 24X24	4	7	7
30X24	4	8	8
(39) 36X36	4	10	10
		0	10
48X36	6	15	10

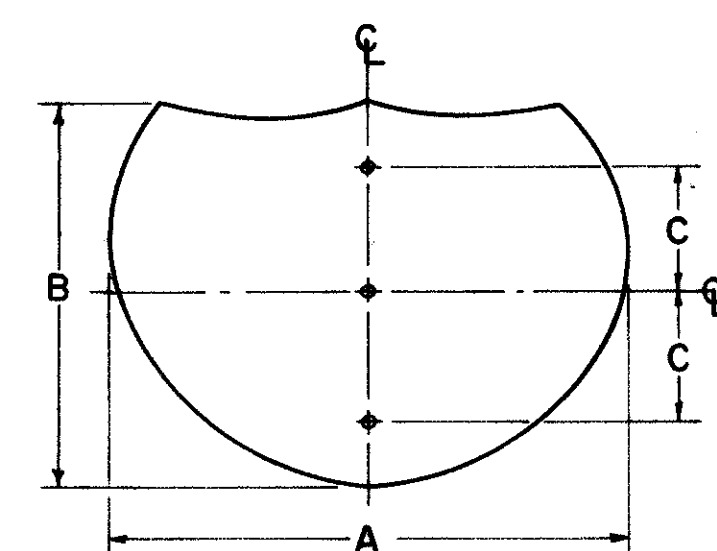
For notes on fastening see drawing for "Miscellaneous Signing Items" Sheet 140



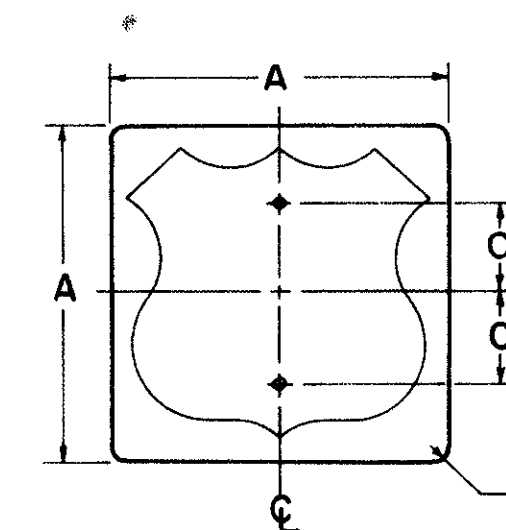
A	B	C	D	R	GAUGE
48	60	15	7 1/2	3	.100



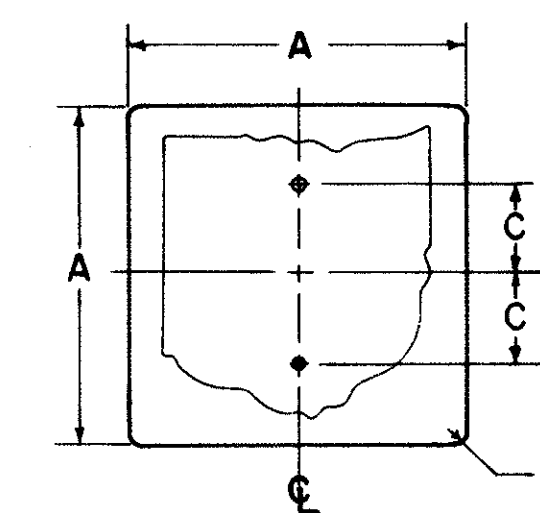
A	B	C	D	GAUGE
24	24	8	16	.063
30	24	8	16	.080
36	36	11	20	.080



A	B	C	GAUGE
48	36	11	.100



A	C	R	GAUGE
24	9	1 1/2	.063
36	11	1 1/2	.080



NOTES:

ALL DIMENSIONS ARE IN INCHES UNLESS OTHERWISE SHOWN.

MATERIAL

FLAT SIGN BLANKS SHALL BE FURNISHED IN ALUMINUM ALLOY 6061-T6, (ASTM-B209, GS11A-T6) WITH MILL FINISH.

BOLT HOLES

THE BOLT HOLES SHALL BE 3/8" IN DIAMETER, THEY MAY BE DRILLED, BLANKED OR PUNCHED TO FINISH SIZE.

BUREAU OF TRAFFIC  
OHIO DEPARTMENT OF HIGHWAYS

SIGN BLANK  
DETAILS

SBD

DATE  
12-3-63  
2-1-65  
10-14-65  
3-21-66

APPROVED *Judith P. ...*  
ENGINEER OF TRAFFIC