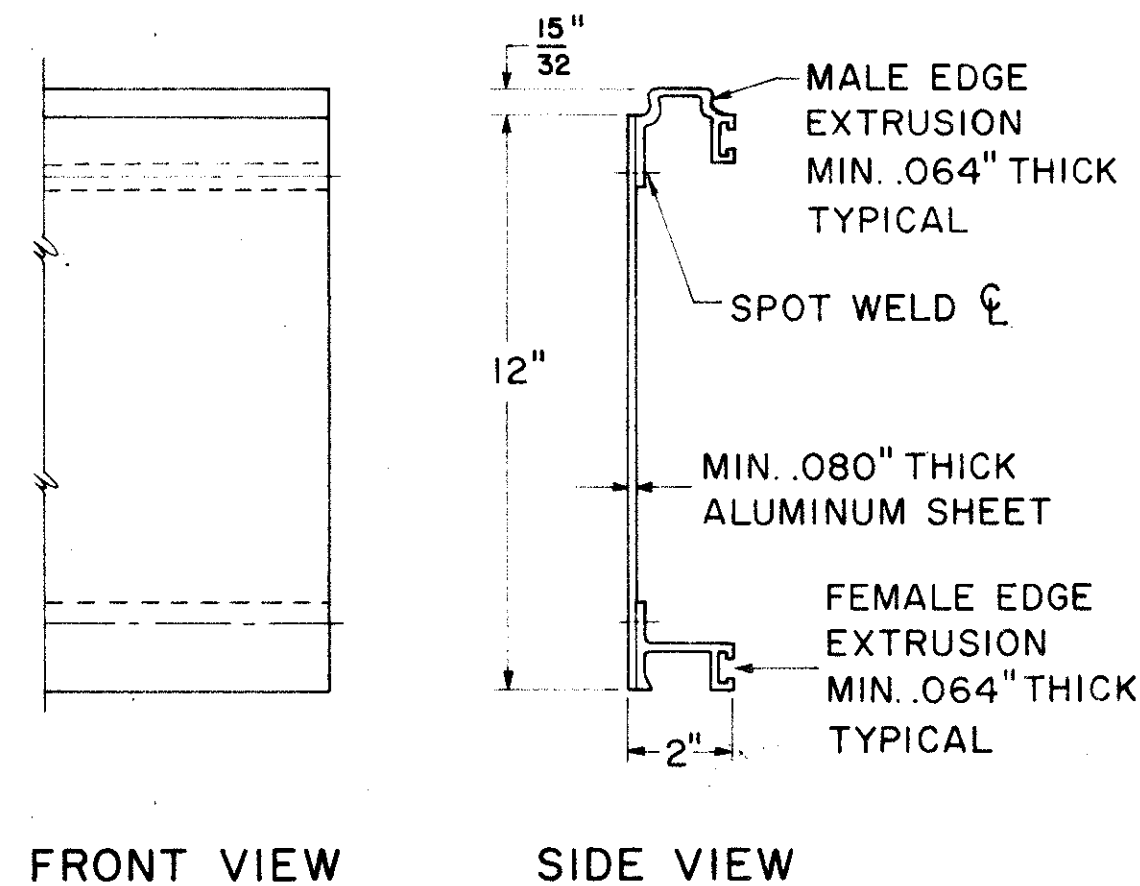
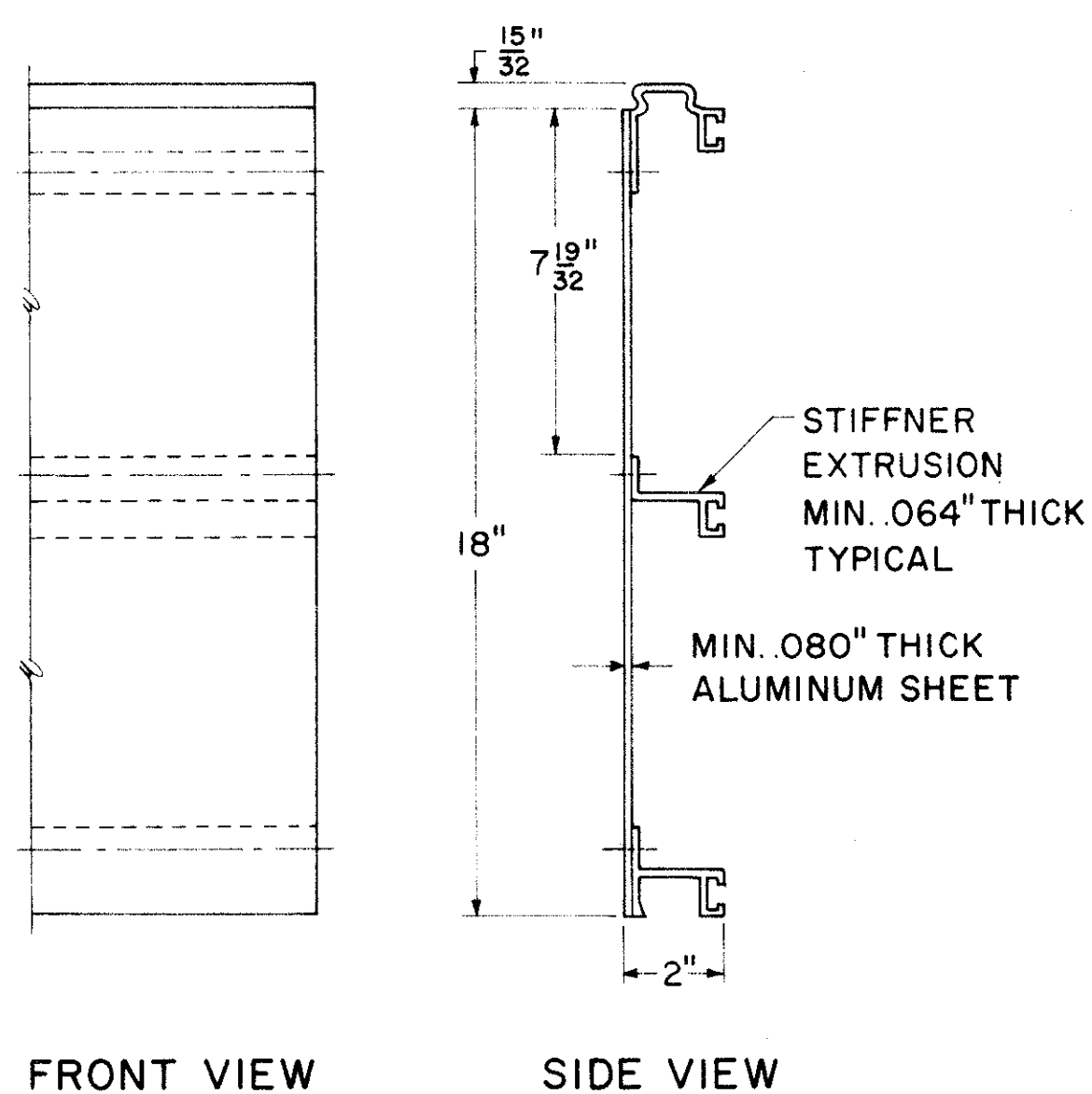


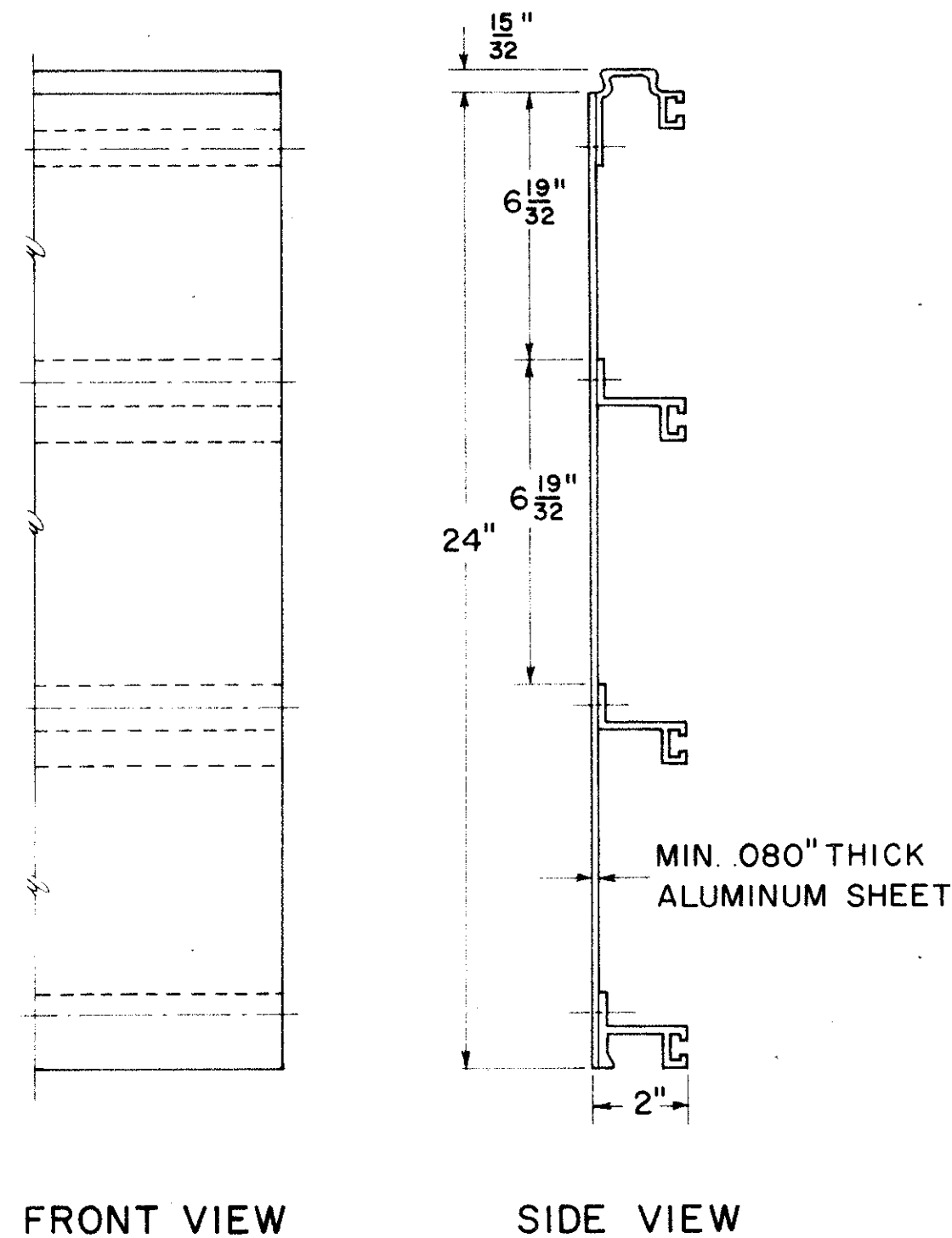
12" EXTRUSHEET PANEL



18" EXTRUSHEET PANEL



24" EXTRUSHEET PANEL



NOTES:

EXTRUSHEET PANELS SHALL BE ALUMINUM; SPOT WELDING AND ALL MATERIALS SHALL CONFORM WITH SUPPLEMENTAL SPECIFICATION

COMBINATIONS OF 12", 18", AND 24" PANELS ARE USED TO ATTAIN REQUIRED SIGN HEIGHT.

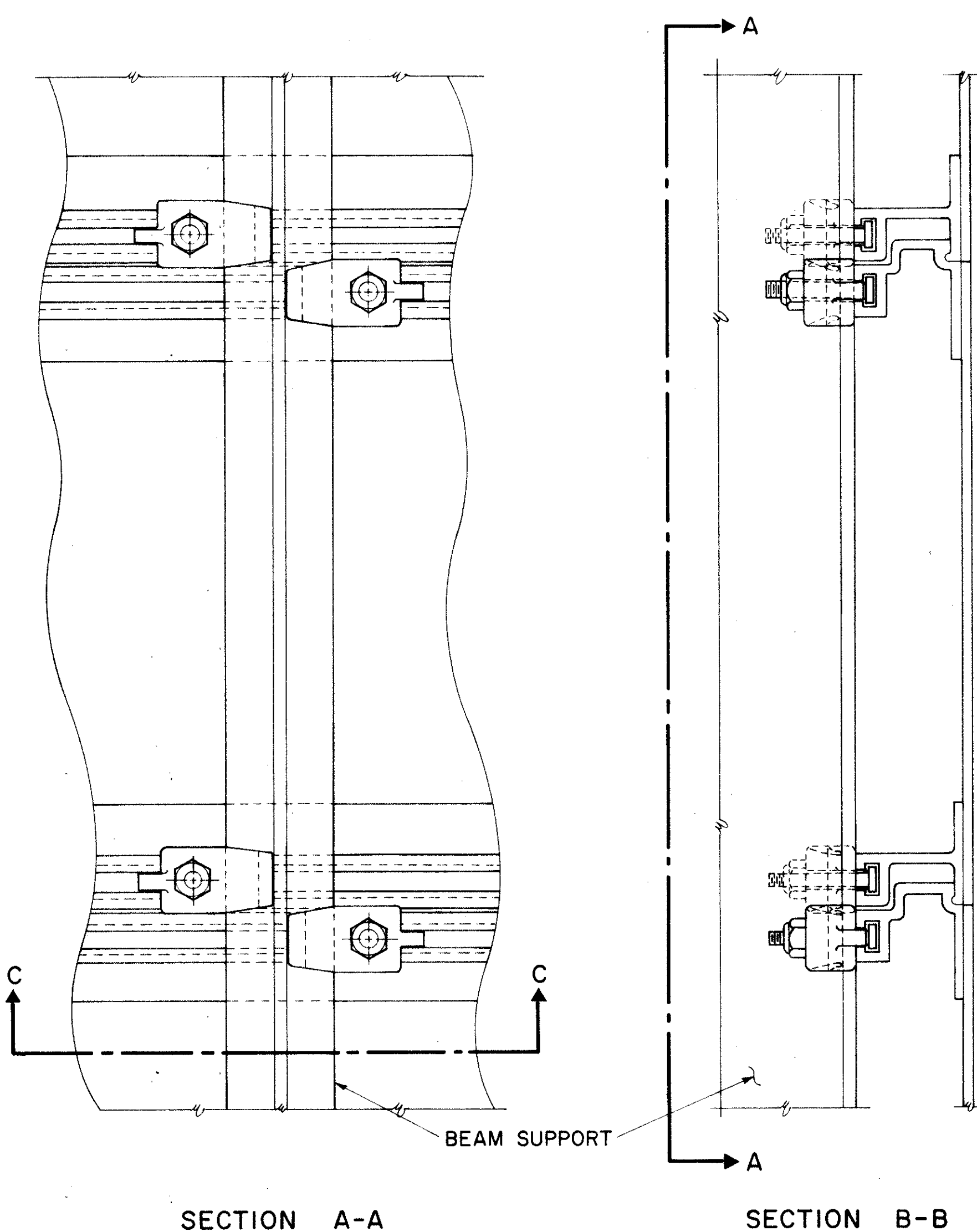
INDIVIDUAL PANELS SHALL BE THE SAME LENGTH AS THE HORIZONTAL LENGTH OF SIGN WITH NO SPLICES.

PANELS SHALL BE INTERLOCKED AND ERECTED WITH THE MALE EXTRUSION LOCATED AT THE TOP EDGE OF THE SIGN.

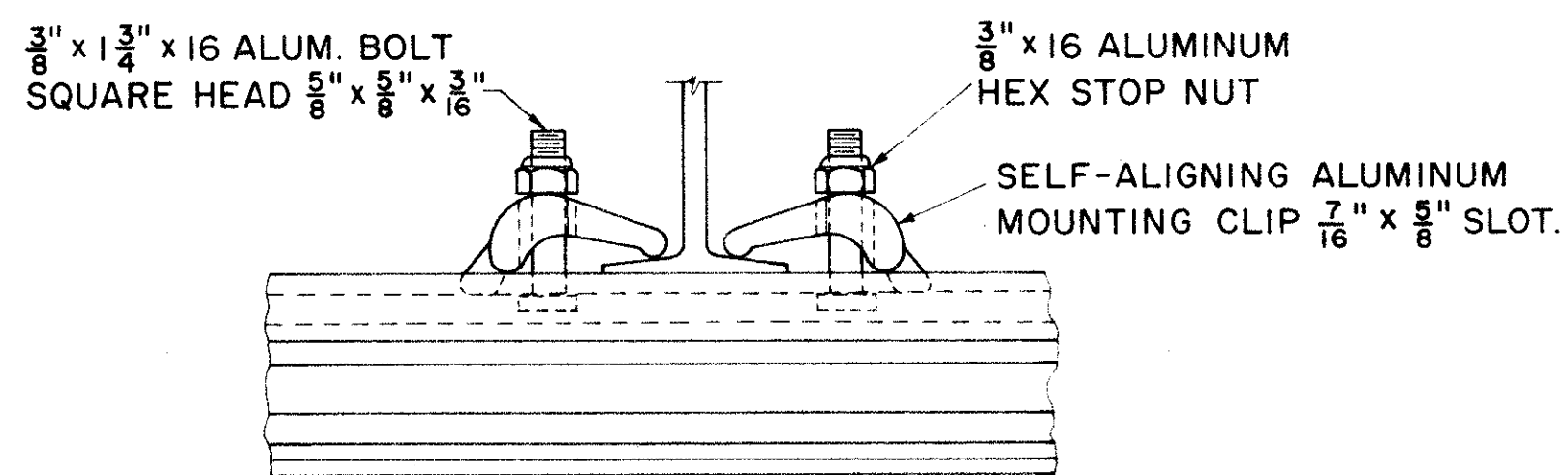
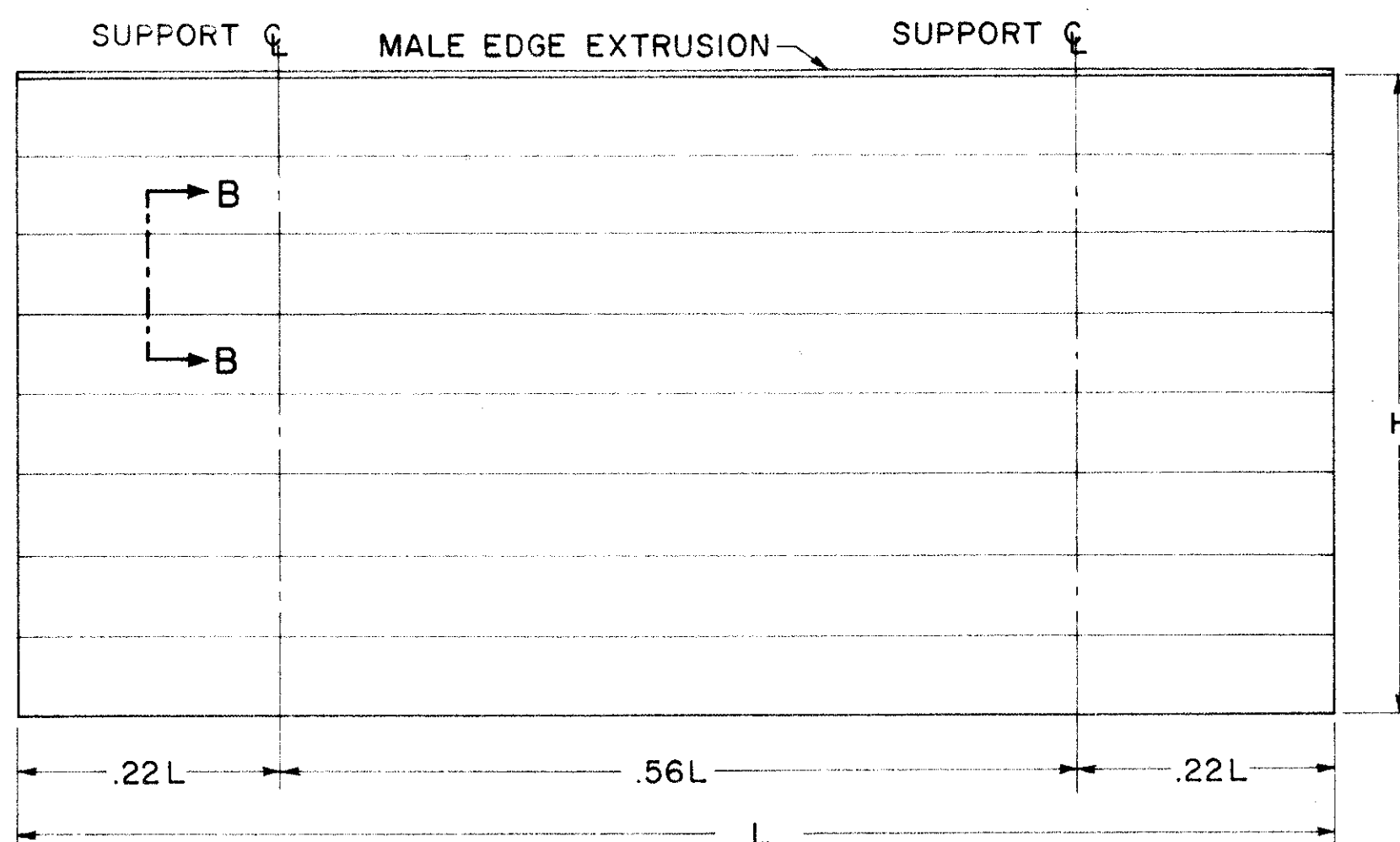
EXTRUSHEET PANELS SHALL BE FASTENED TO EACH VERTICAL SUPPORT MEMBER WITH MOUNTING CLIPS; ALTERNATELY AT EACH HORIZONTAL EXTRUSION; BOTH SIDES AT EACH JOINT, AND ON BOTH SIDES AT TOP AND BOTTOM EDGE OF SIGN.

THE PANELS SHALL BE DESIGNED TO WITHSTAND A WIND LOAD OF 35 POUNDS PER SQUARE FOOT, IN ACCORDANCE WITH THE A.A.S.H.O. SPECIFICATION FOR DESIGN AND CONSTRUCTION OF STRUCTURAL SUPPORTS FOR HIGHWAY SIGNS.

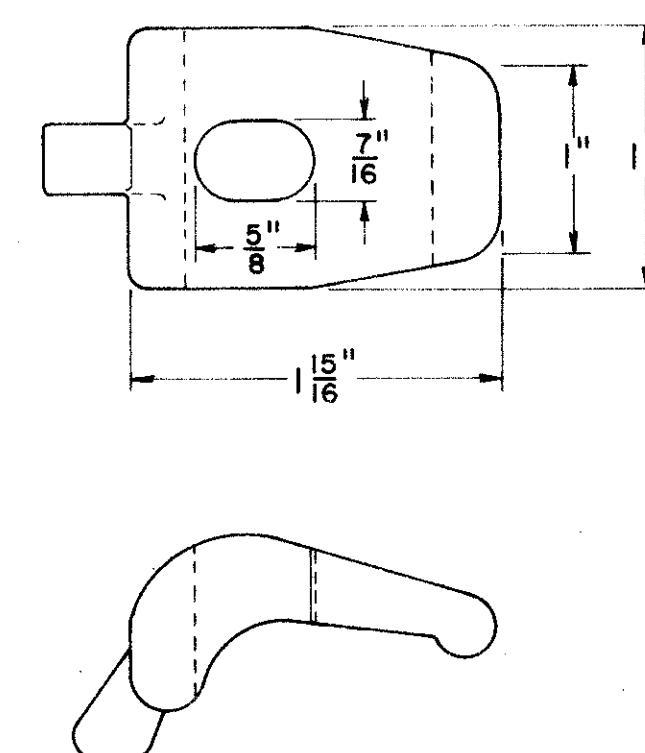
THE MAXIMUM SIGN LENGTH FOR TWO SUPPORTS IS 19'-0". THE MAXIMUM SIGN LENGTH FOR THREE SUPPORTS IS 29'-0".



GENERAL ARRANGEMENT



CLIP DETAIL



SPOT WELDS

PANEL SIZE	MAXIMUM SPOT WELD SPACING CENTER TO CENTER BETWEEN ROWS	
	4 INCH	10 INCH
12 INCH	4 INCH	10 INCH
18 & 24 INCH	4 INCH	8 INCH

BUREAU OF TRAFFIC  
OHIO DEPARTMENT OF HIGHWAYS

ALUMINUM  
EXTRUSHEET  
PANEL SIGN

ECD  
I

DATE  
9-25-63  
5-19-64  
10-21-65

APPROVED *Fred C. Taylor*  
ENGINEER OF TRAFFIC