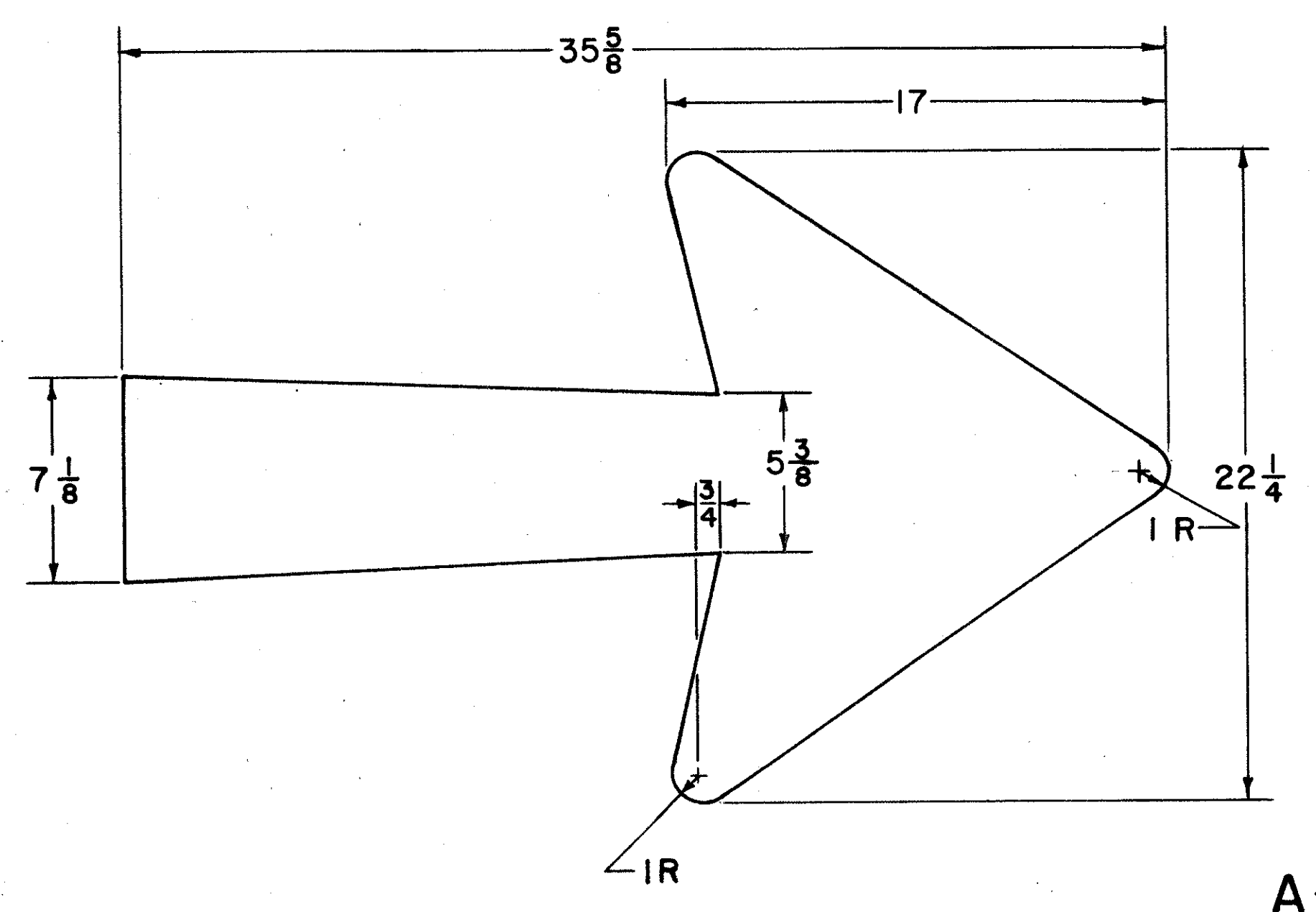
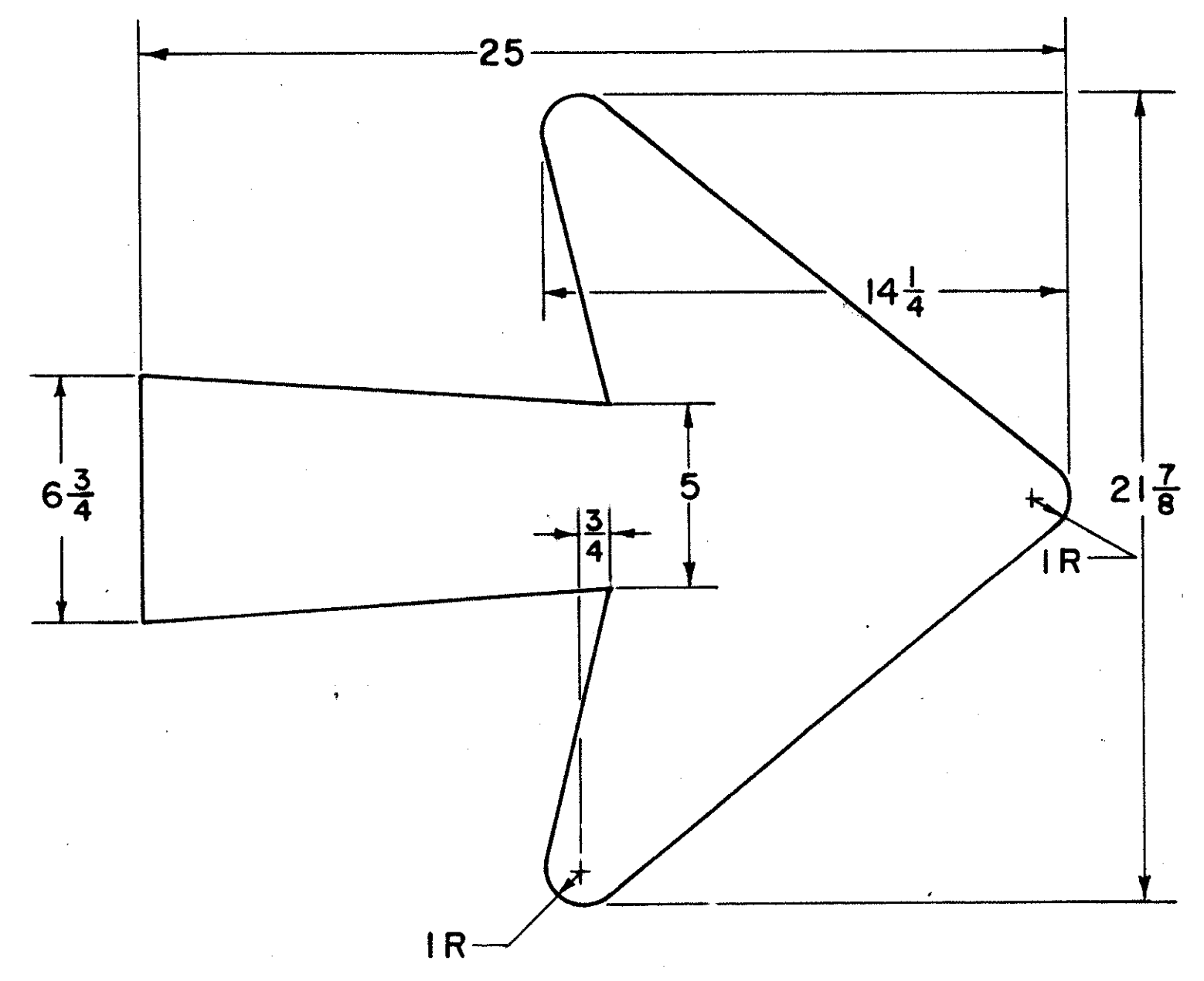


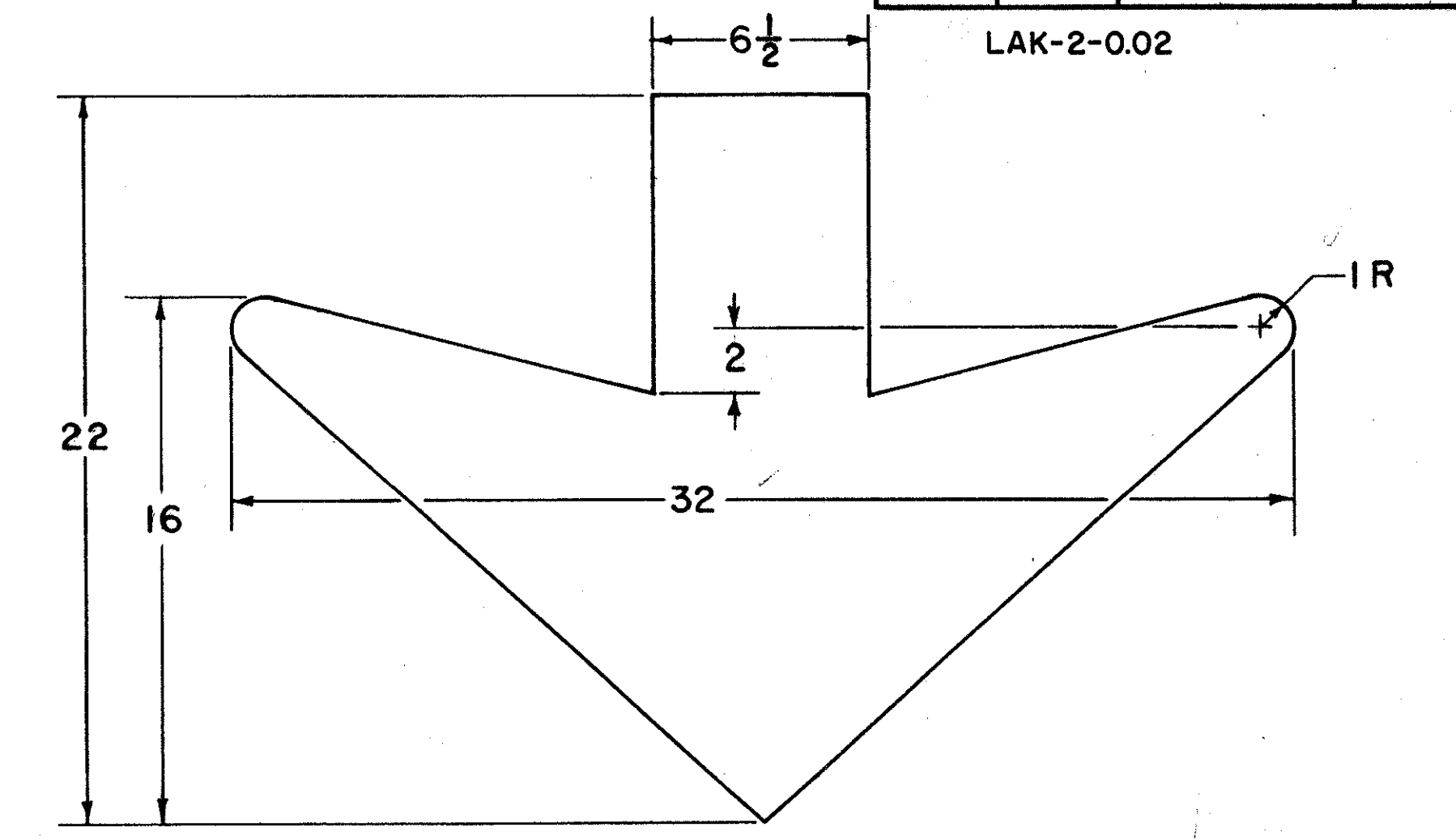
LAK-2-0.02



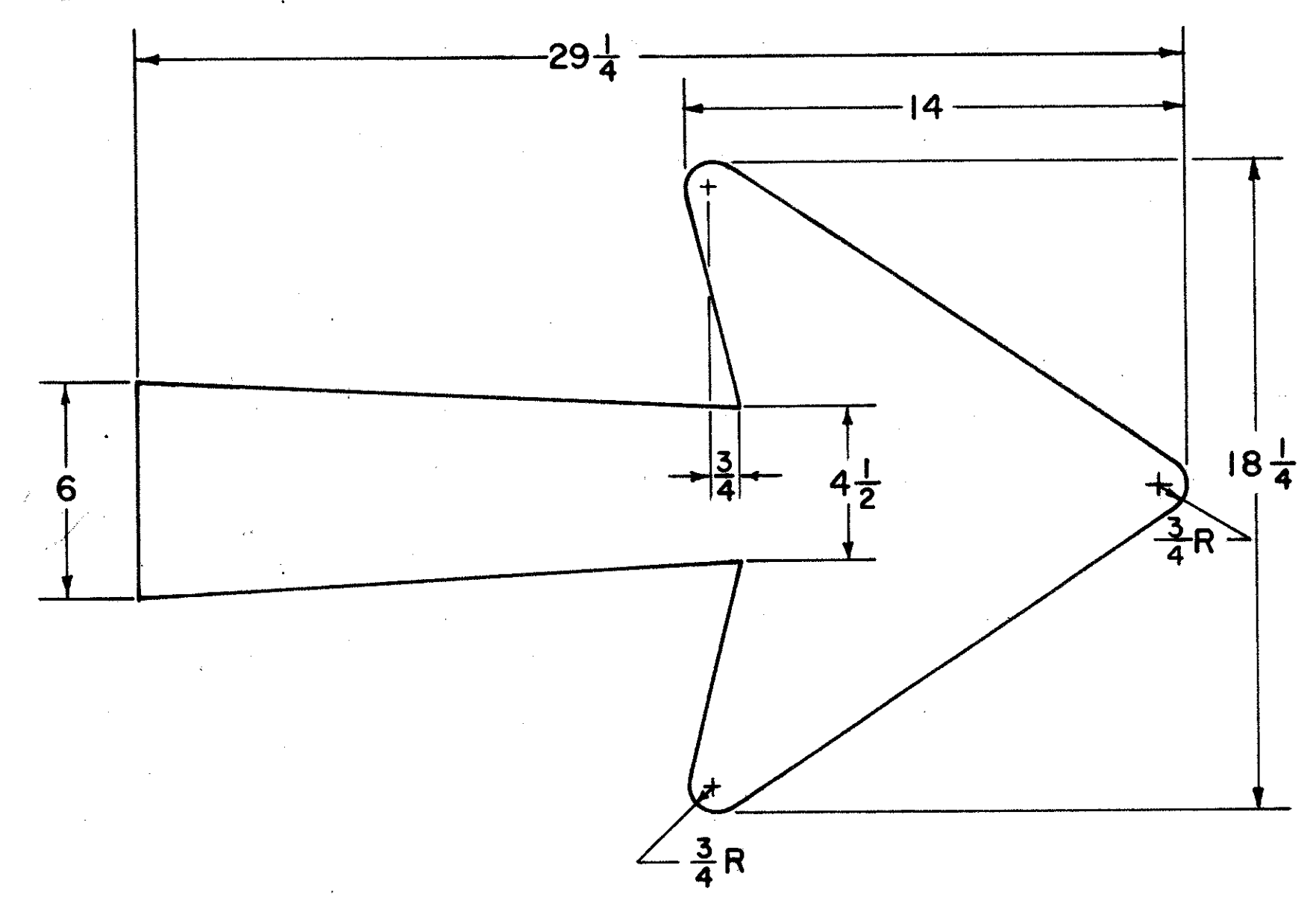
A-1



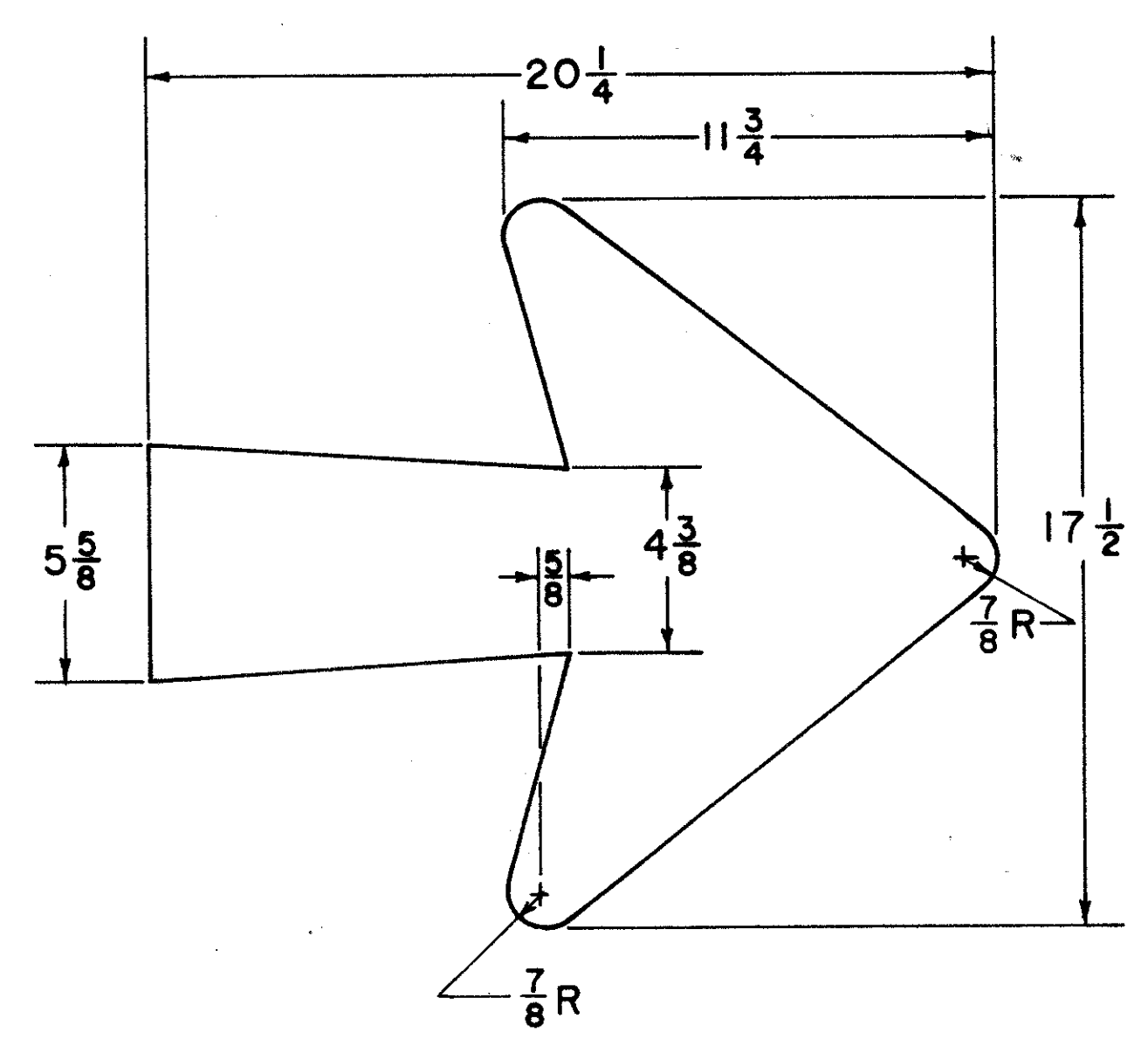
B-1



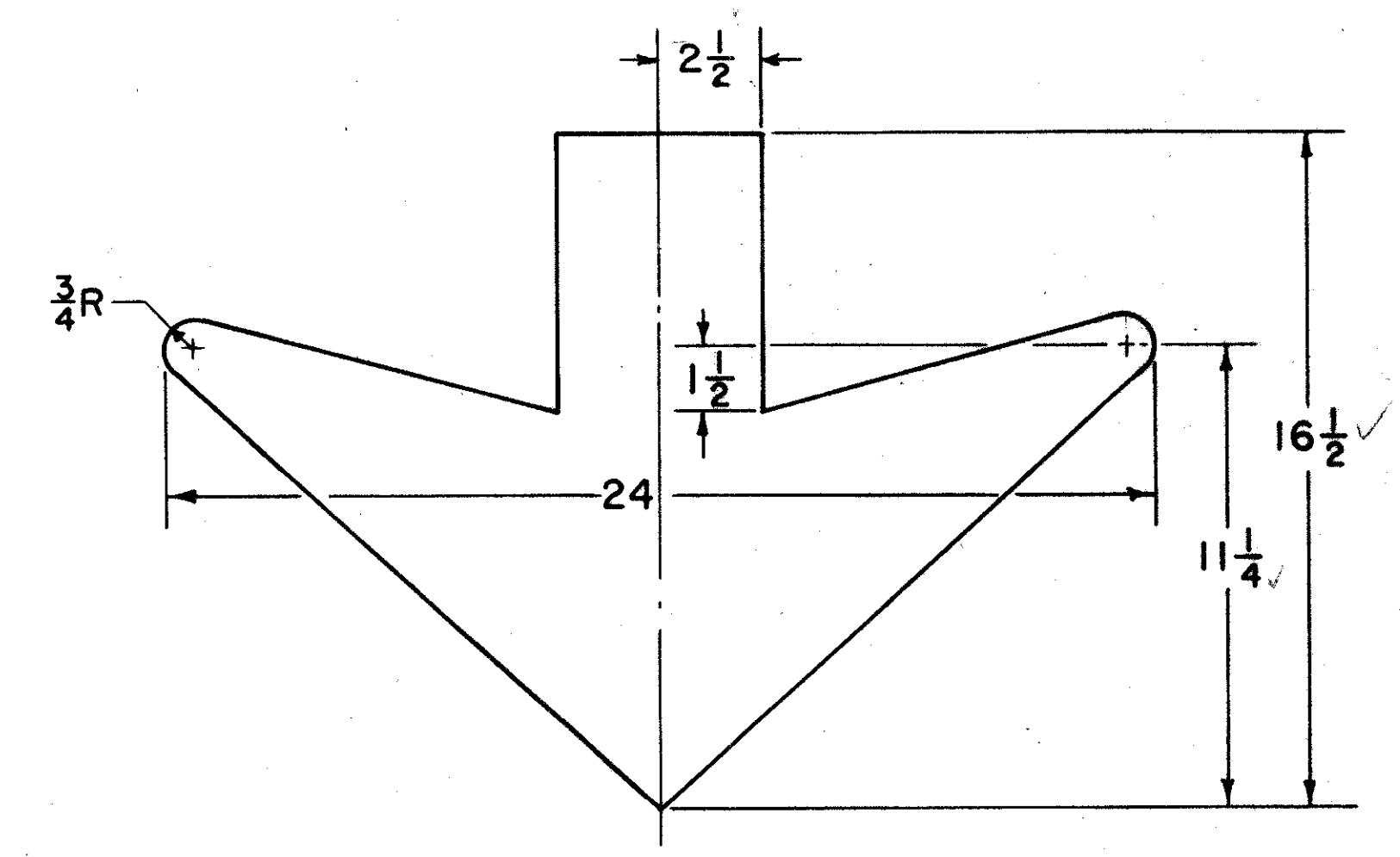
C-1



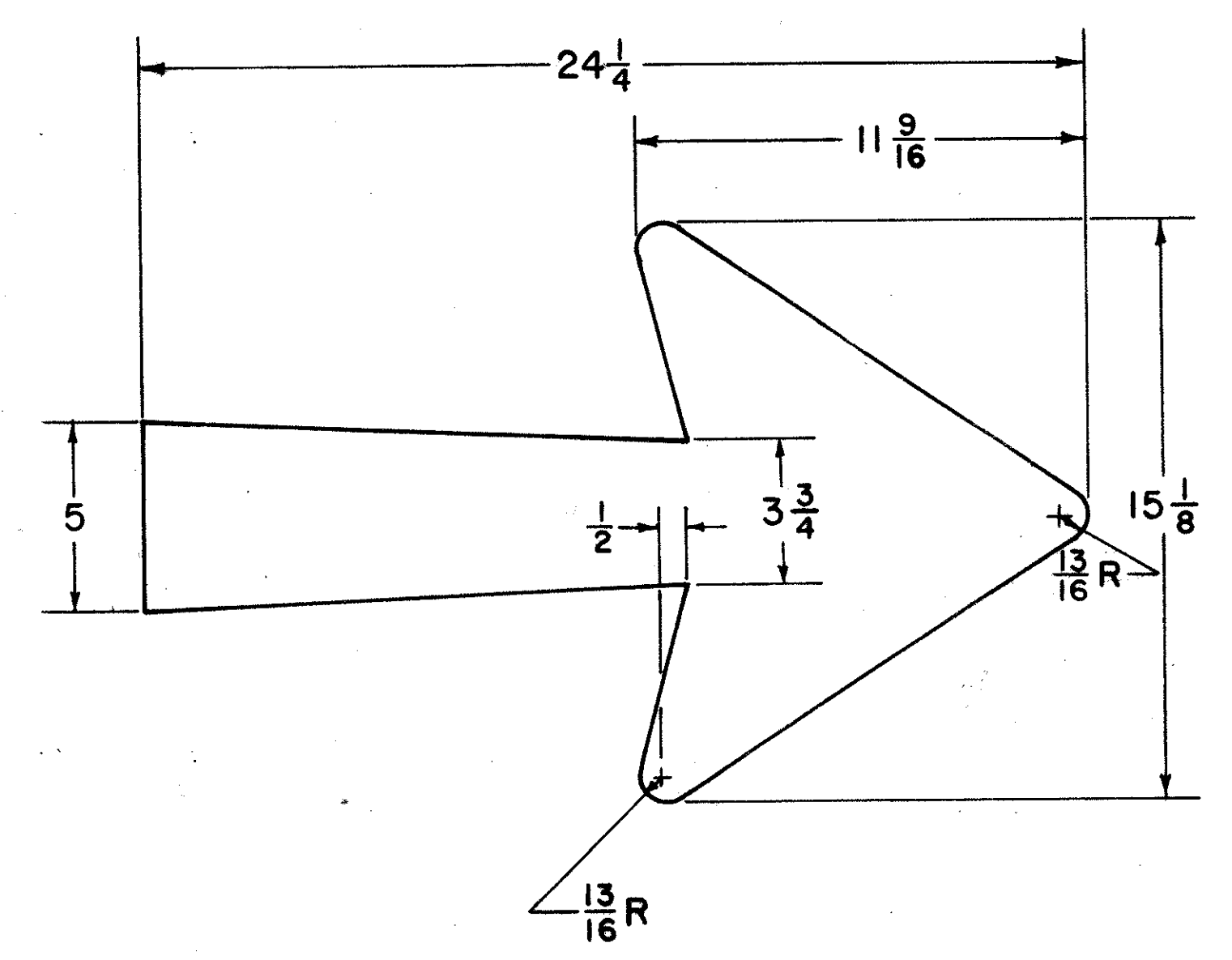
A-5



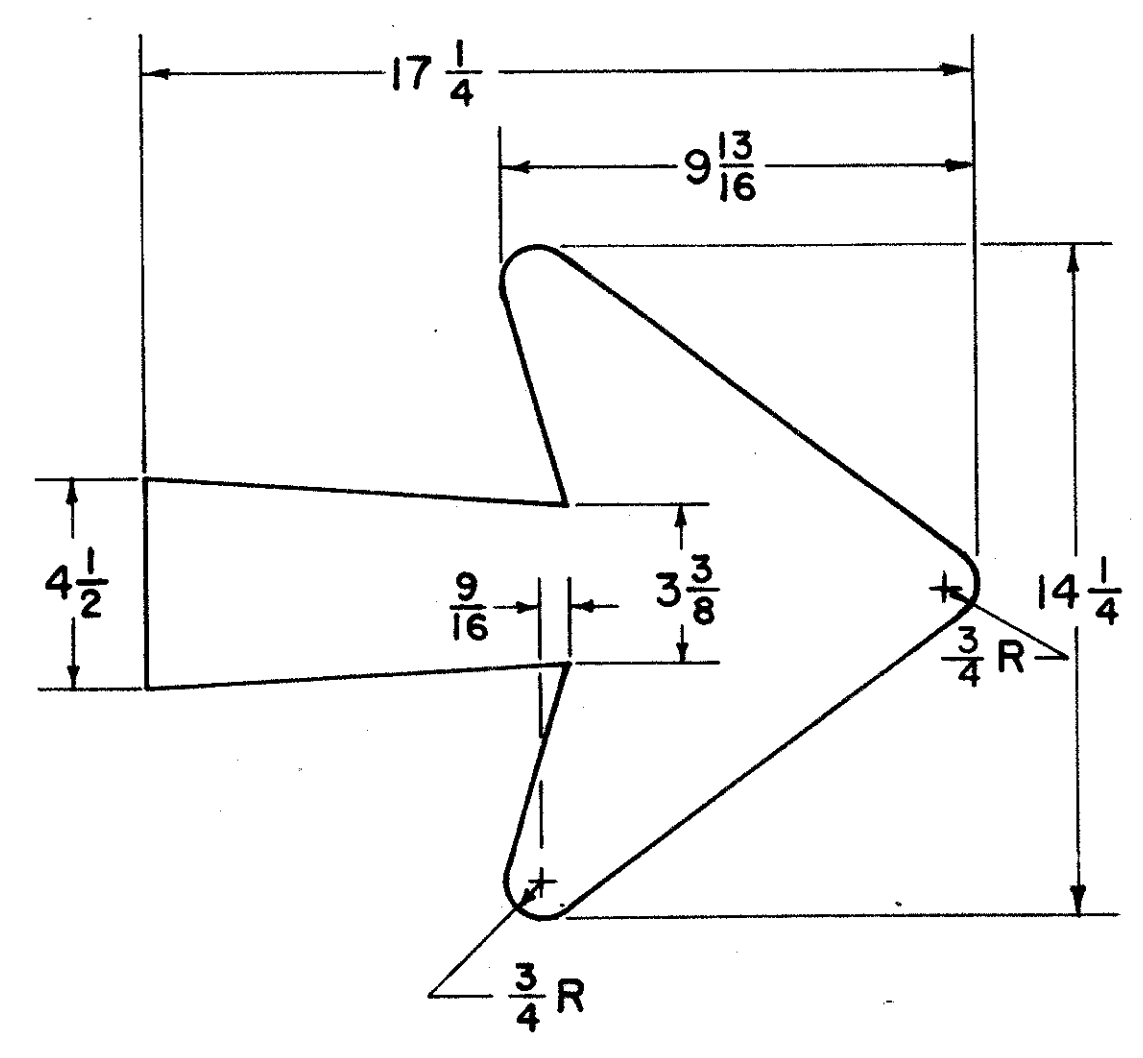
B-5



C-5



A-8



B-8

NOTE: ALL DIMENSIONS ARE IN INCHES UNLESS OTHERWISE SHOWN.

BUREAU OF TRAFFIC
OHIO DEPARTMENT OF HIGHWAYS

TRAFFIC SIGNS

IA

DATE
2-9-65
2-24-66

APPROVED _____
ENGINEER OF TRAFFIC