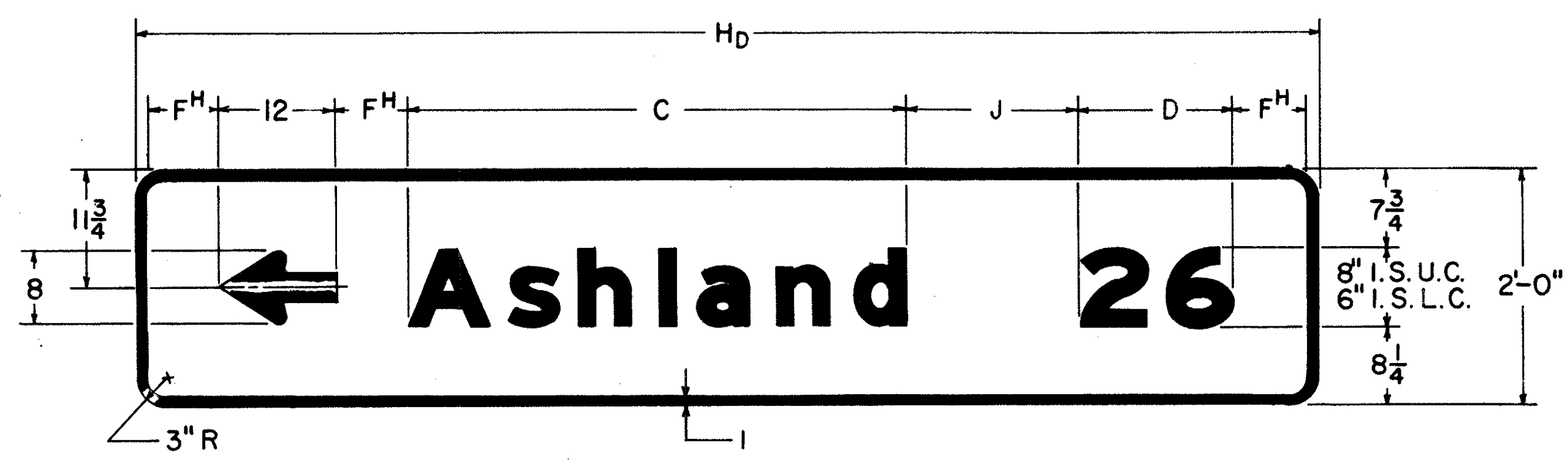
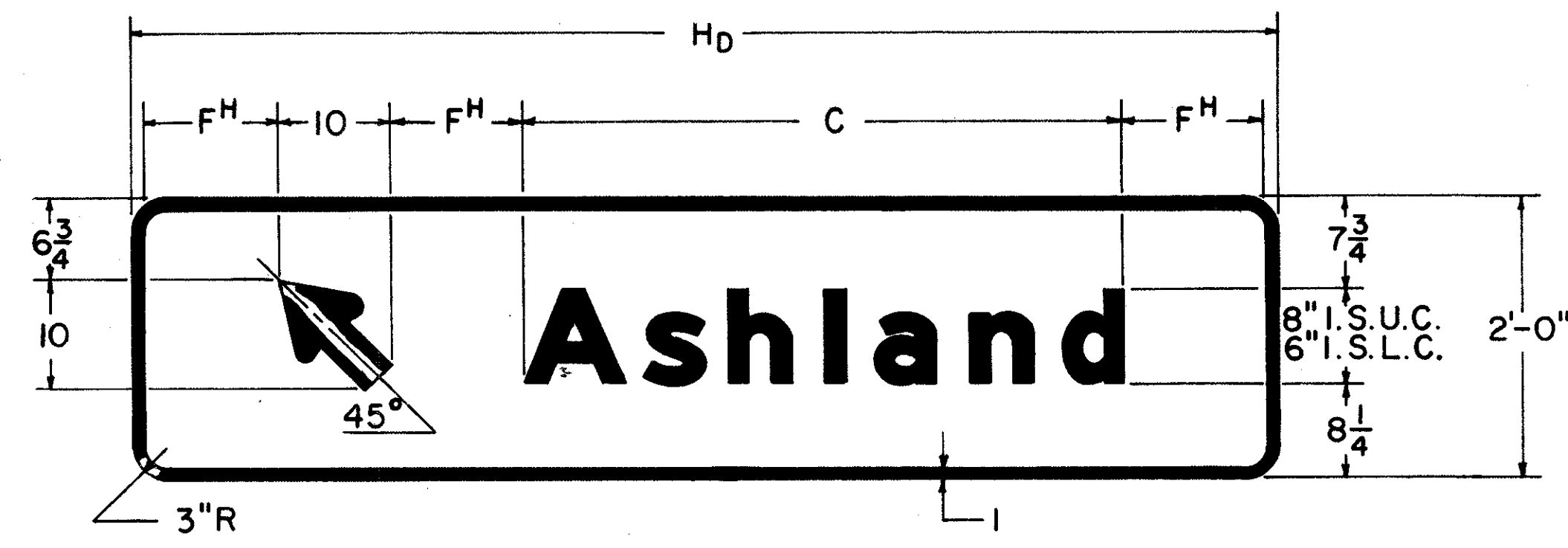


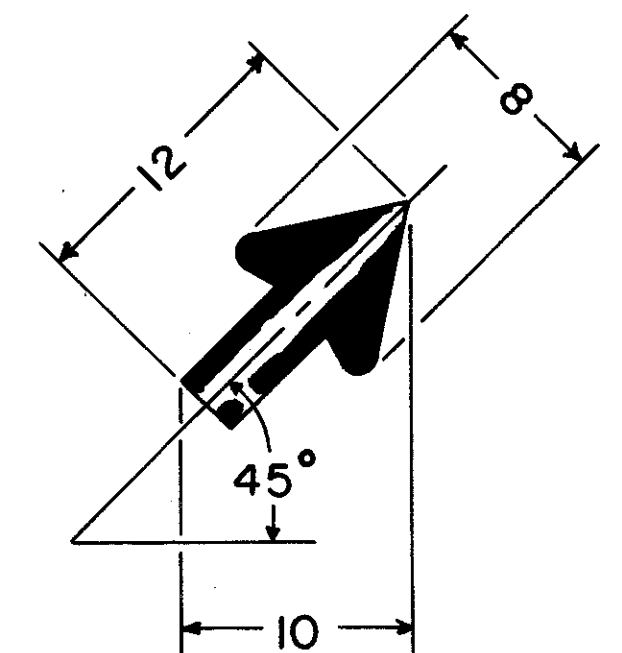
TYPICAL SIGN



D-4-1



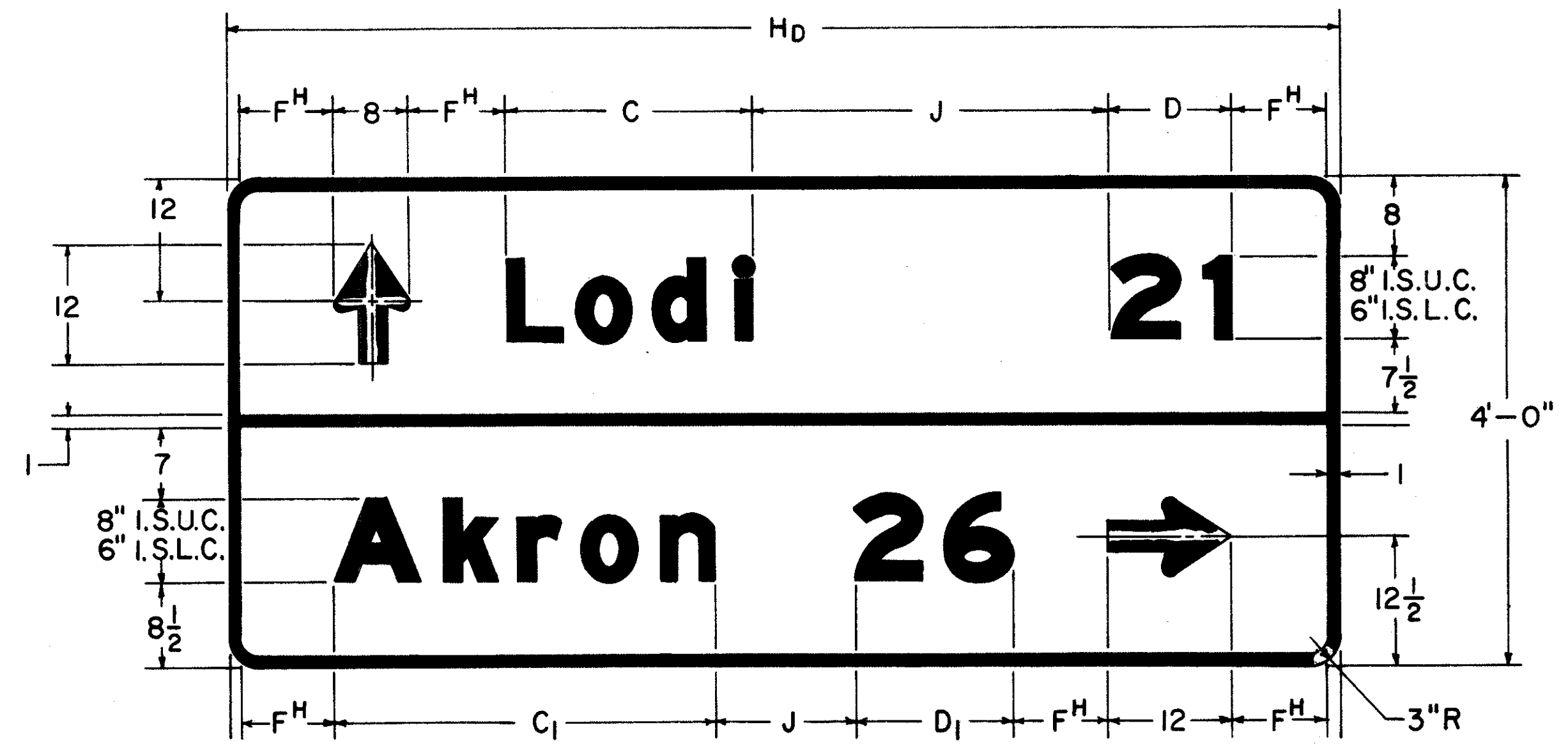
TYPICAL SIGN



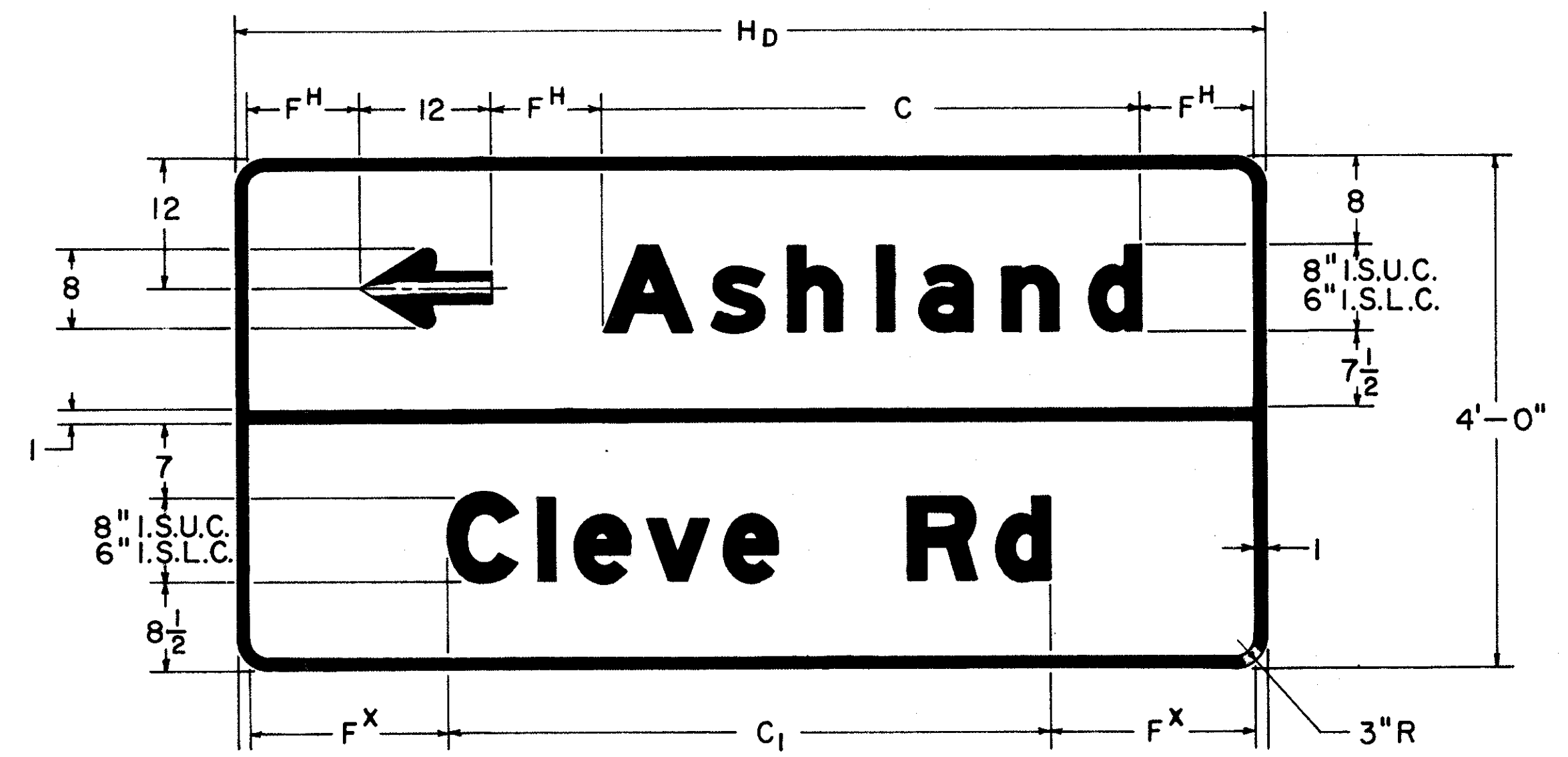
DIMENSIONS FOR 8" x 12" ARROW IN HORIZONTAL, VERTICAL, OR 45° SLANTED POSITION.

NOTES:
 DIMENSION H_D IS VARIABLE AND SHALL BE HELD TO THE NEAREST EVEN FOOT.
 DIMENSIONS F^H IN THE SAME SIGN ARE EQUAL TO EACH OTHER AND SHALL NEVER BE LESS THAN 6".
 DIMENSION F^X IS VARIABLE BUT SHALL NEVER BE LESS THAN 6".
 DIMENSION J IS VARIABLE AND SHALL NEVER BE LESS THAN 16".
 ALL DIMENSIONS ARE IN INCHES UNLESS OTHERWISE SHOWN.

TYPICAL SIGN



D-4-2



TYPICAL SIGN

BUREAU OF TRAFFIC OHIO DEPARTMENT OF HIGHWAYS		
TRAFFIC SIGNS	D-4	DATE 2-21-66
APPROVED _____ ENGINEER OF TRAFFIC		