

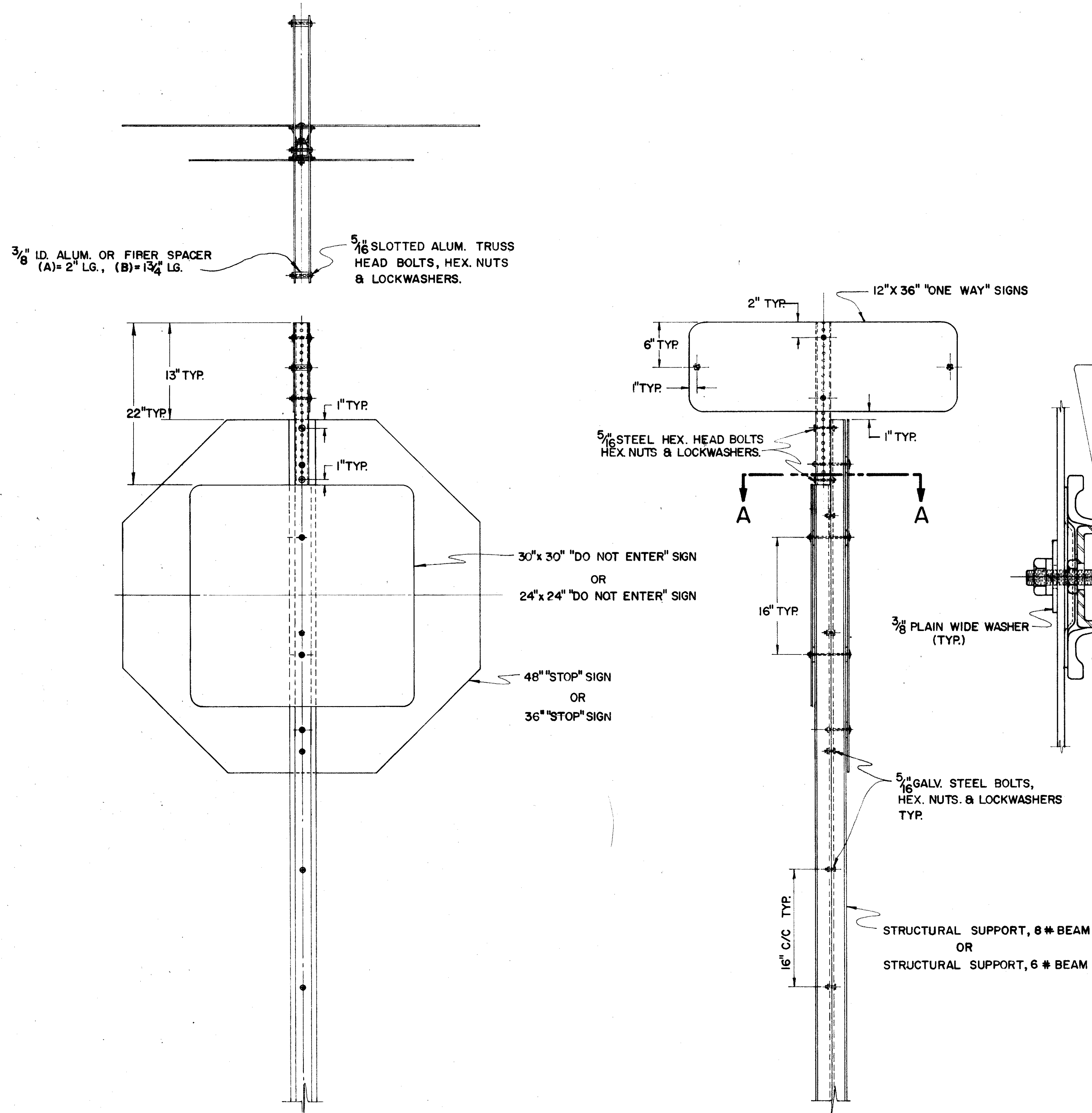
NOTES

MATERIALS

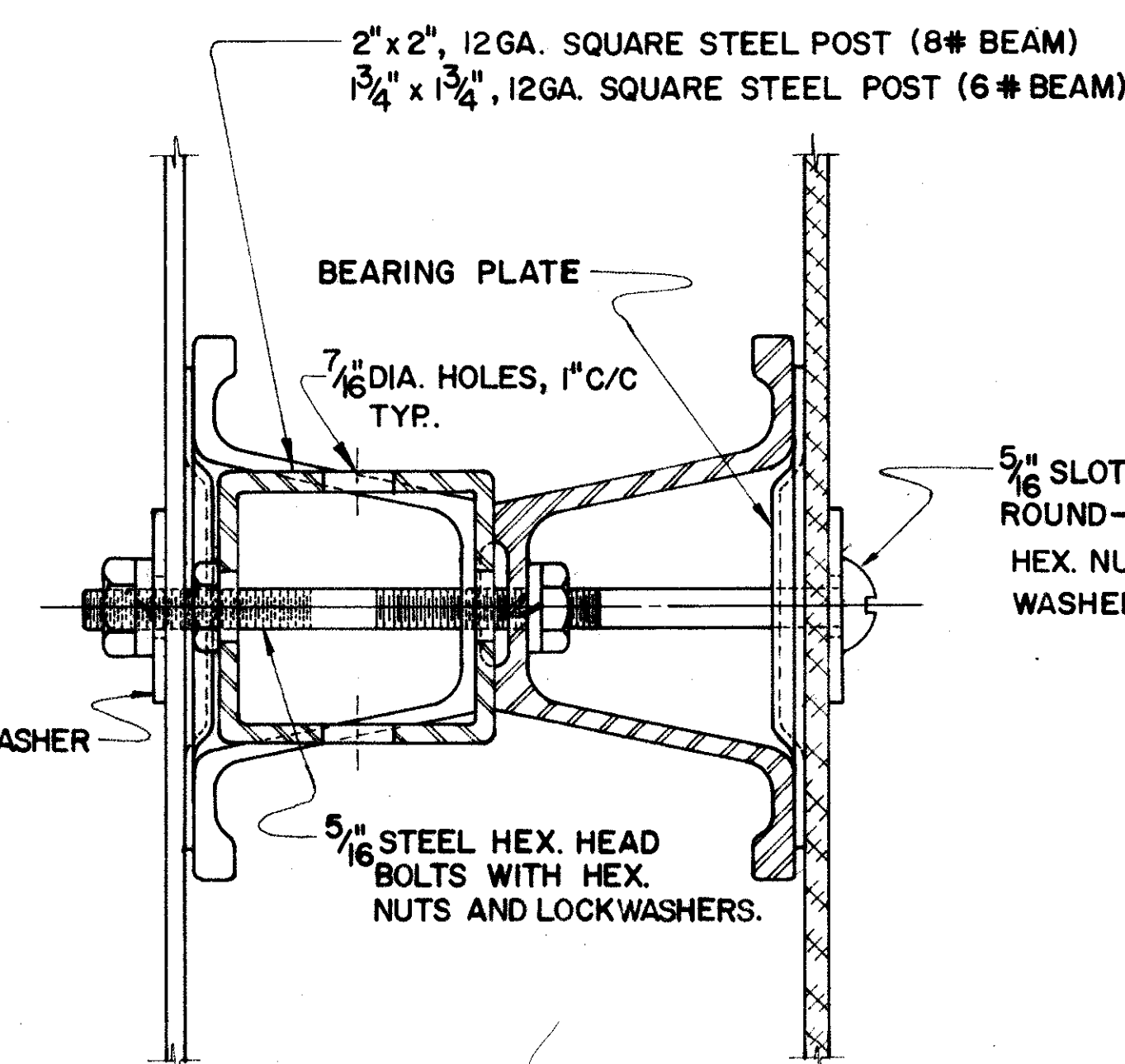
ALL SIGN MATERIALS SHALL BE IN ACCORDANCE WITH SUPPLEMENT SPECIFICATION 815.

ALL STRUCTURAL MATERIALS SHALL BE IN ACCORDANCE WITH SUPPLEMENT SPECIFICATION 816.

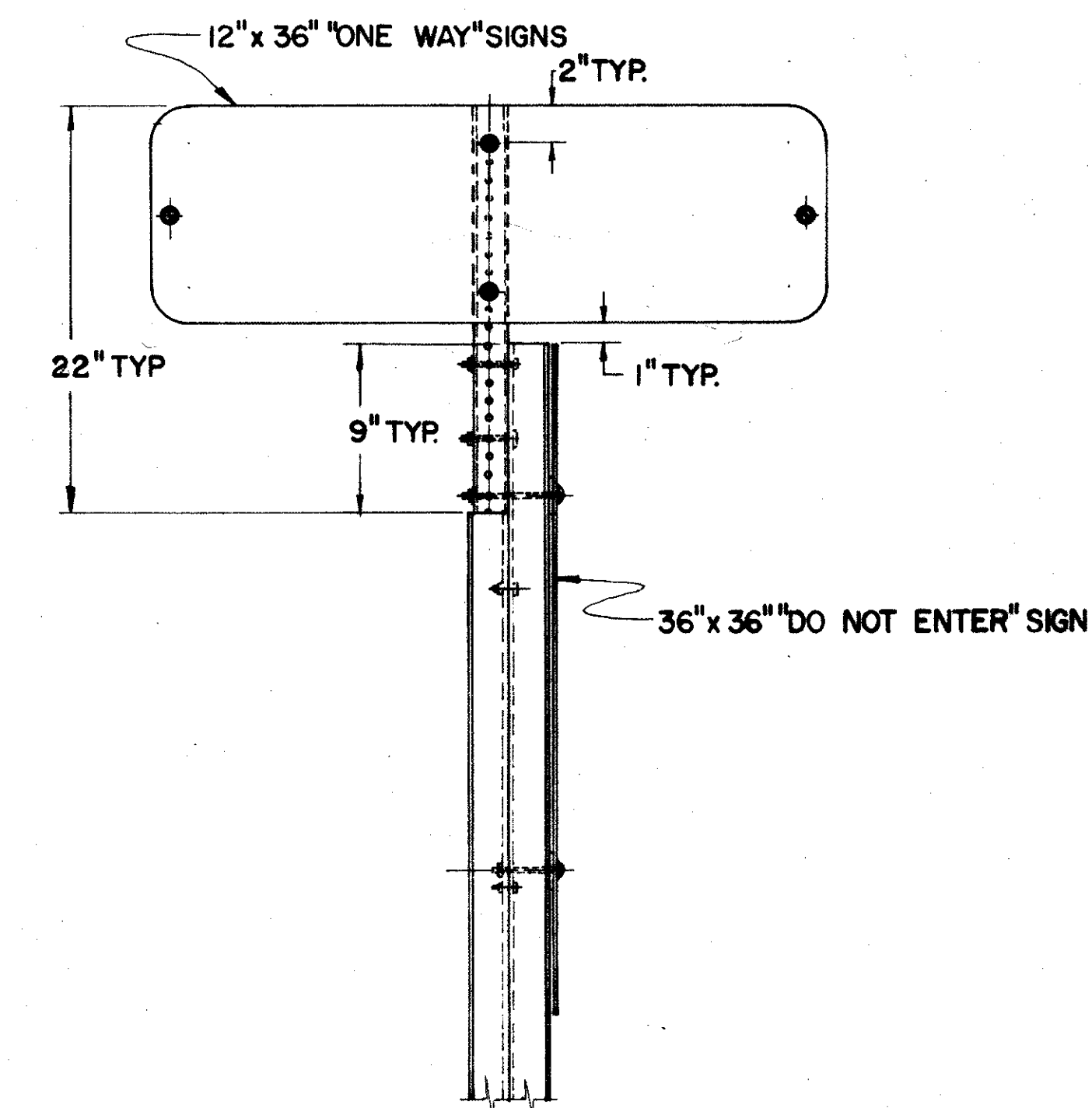
FOR SPECIFICATIONS FOR THE 2" & 3/4" SQUARE STEEL POST SEE GENERAL NOTES, SHEET NO. 3.



**"ONE WAY", "STOP", "DO NOT ENTER",
SIGN INSTALLATION.**



SECTION A-A



**"ONE WAY", "DO NOT ENTER"
SIGN INSTALLATION**

BUREAU OF TRAFFIC OHIO DEPARTMENT OF HIGHWAYS		
SPECIAL "ONE WAY" SIGN SUPPORT DETAILS	SOW	DATE 2-7-66
APPROVED _____ ENGINEER OF TRAFFIC		