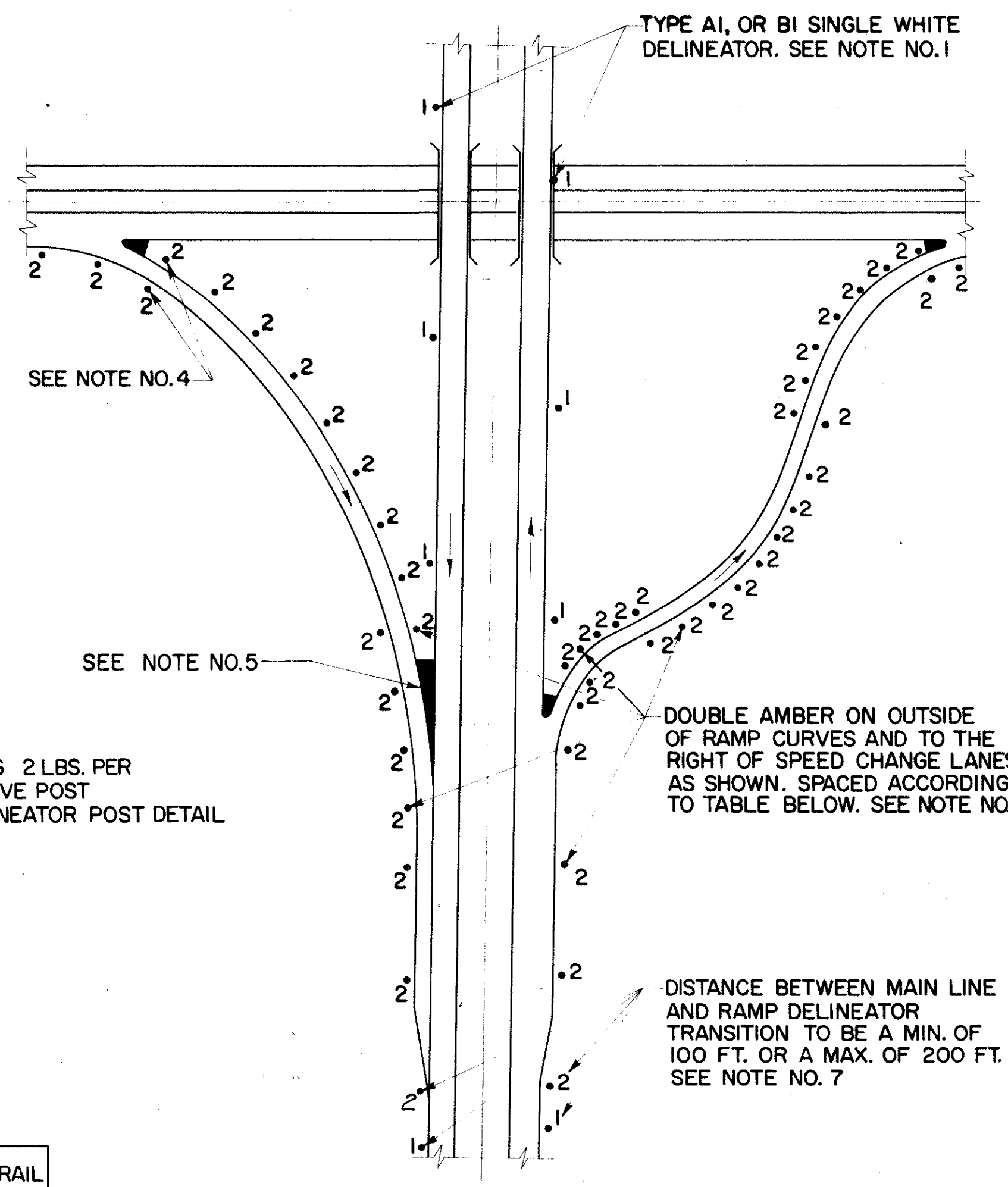
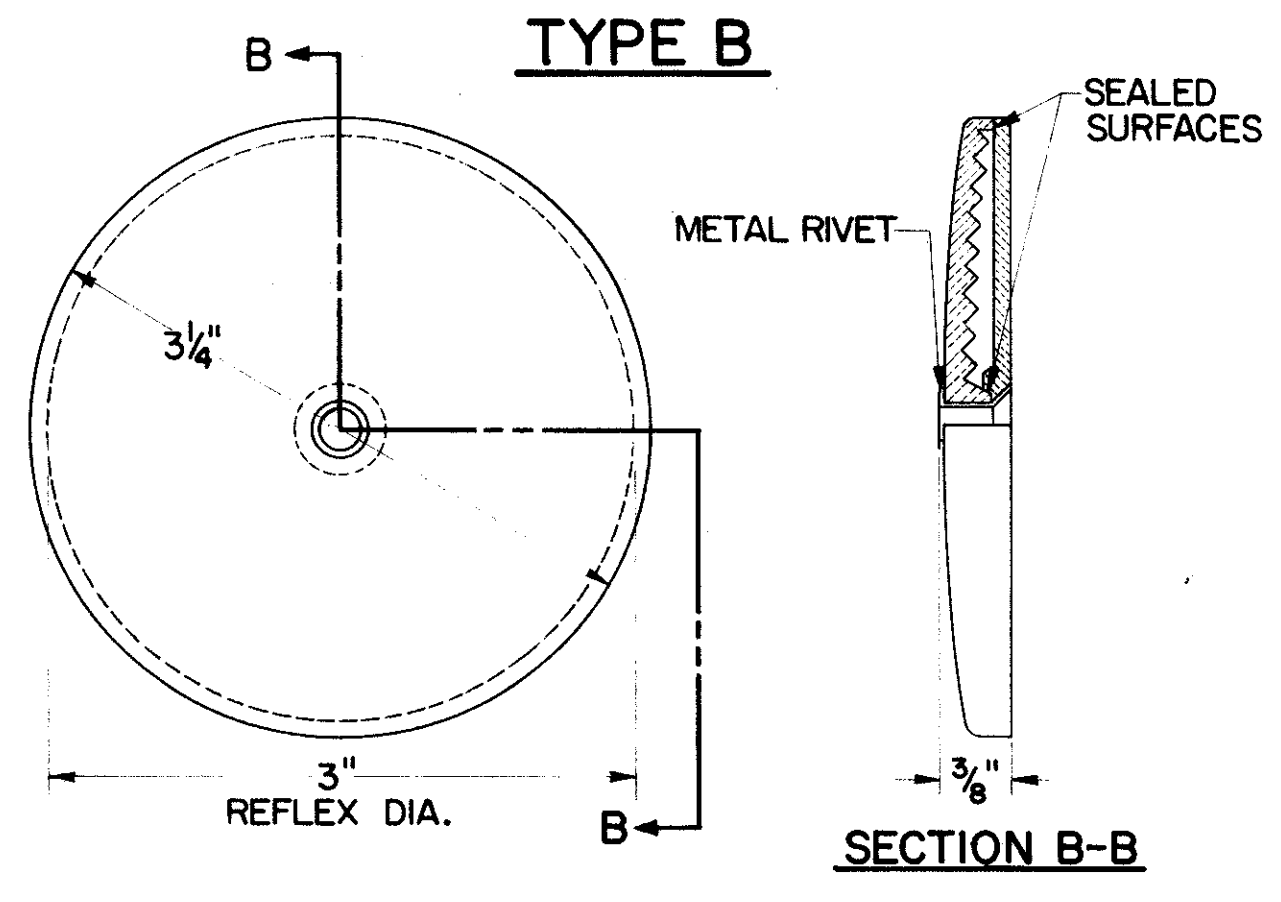
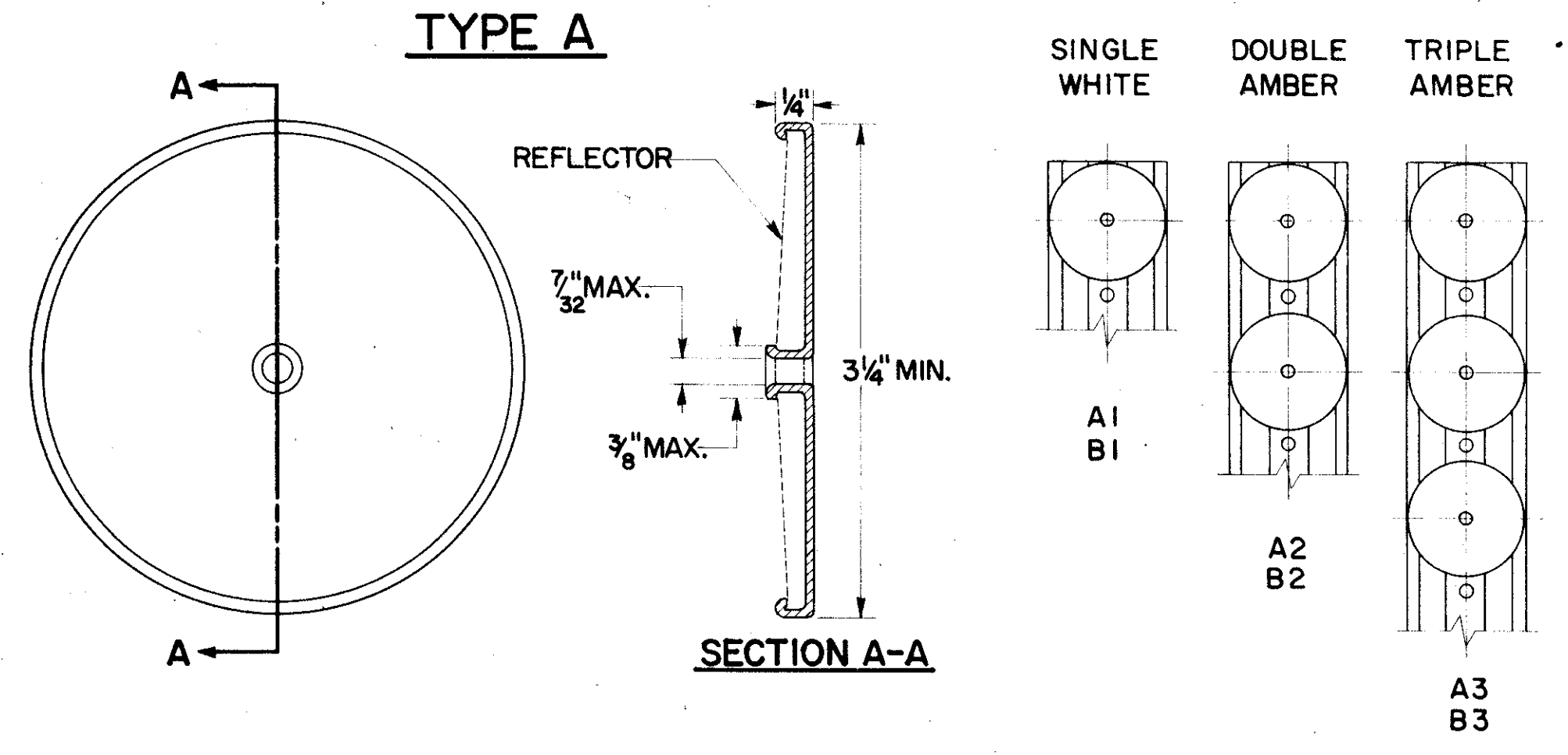


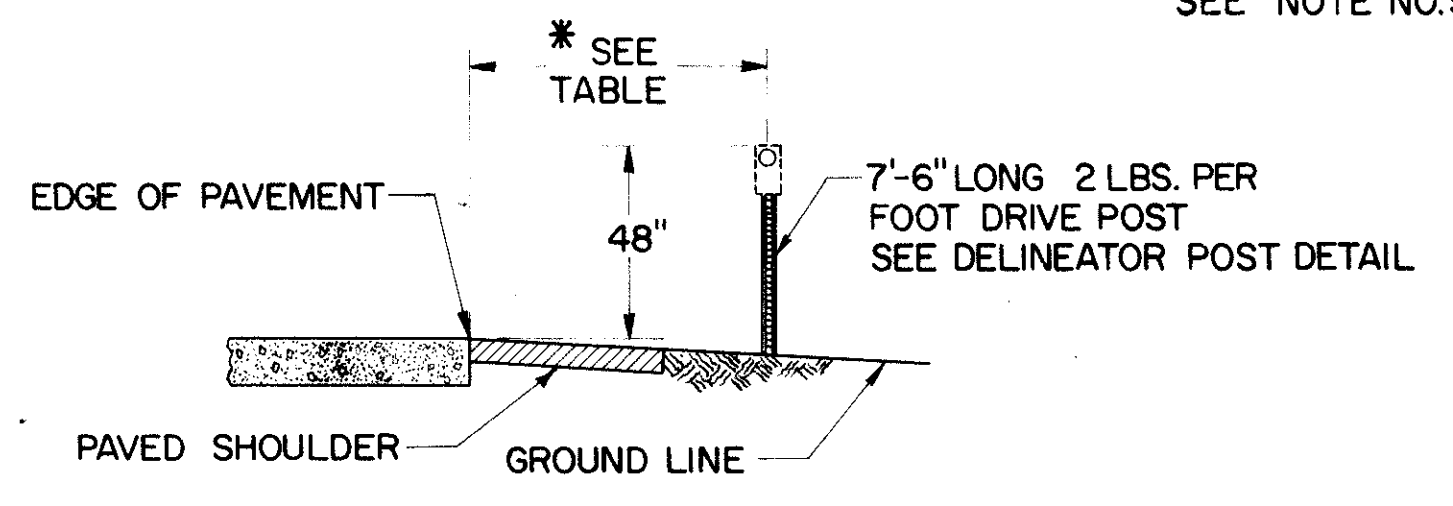
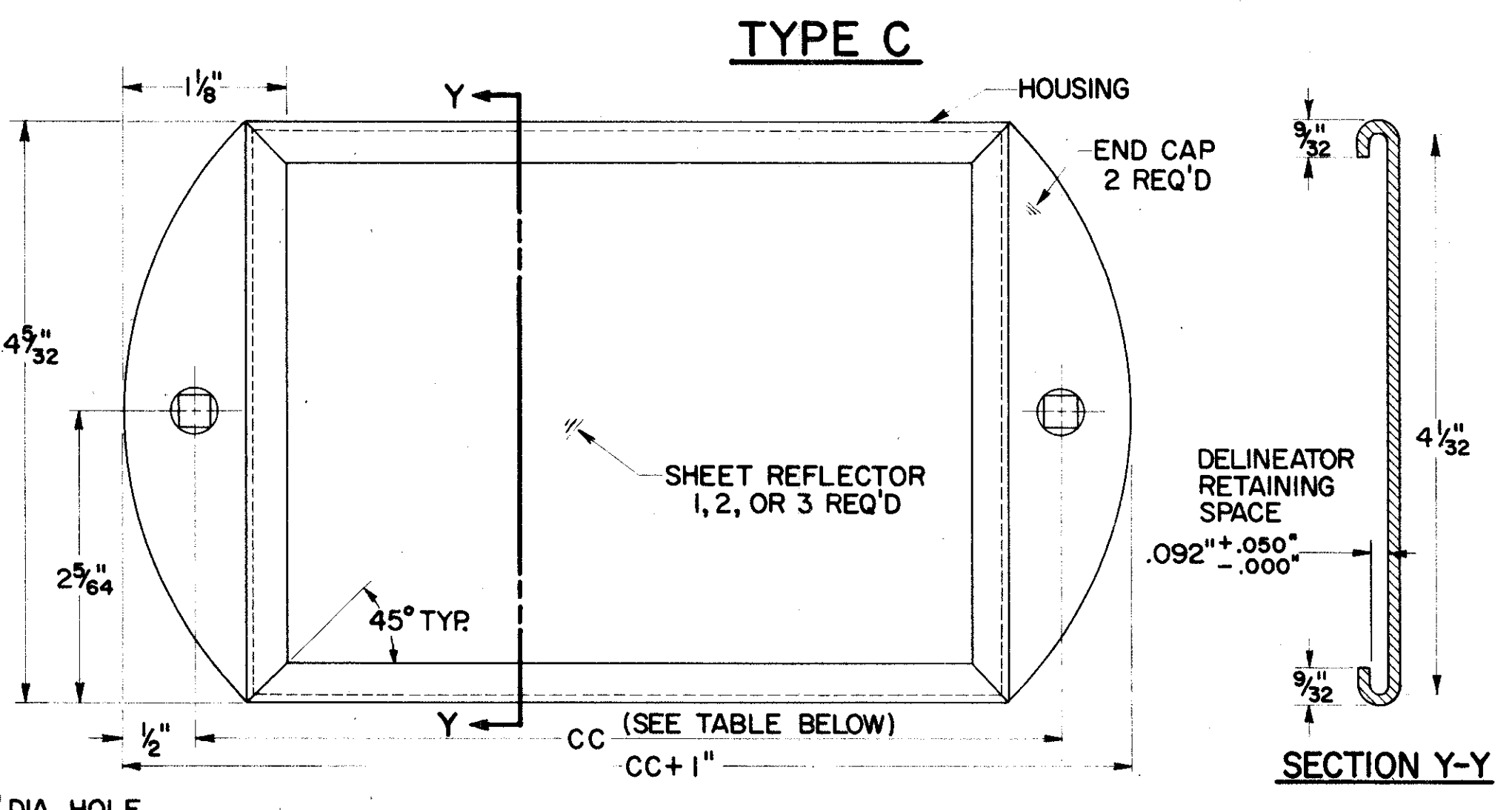
LAK-2-0.02

NOTES

1. TYPE A1 OR B1 DELINEATORS ON THE RIGHT OF THE THROUGH ROADWAY ARE TO BE SPACED AT 200 FT. INTERVALS THROUGHOUT, REGARDLESS OF CURVES, BEGINNING AT STA. +00, +25, +50, OR +75.
2. DELINEATORS SHALL BE FURNISHED AND ERECTED IN ACCORDANCE WITH ITEM NO. 620
3. PAYMENT FOR SUPPORTS (DRIVEPOST OR BRACKET) SHALL BE INCLUDED IN THE UNIT PRICE BID PER EACH FOR "ITEM 620 DELINEATORS".
4. WHEN CROSSING FROM LEFT TO RIGHT OR FROM RIGHT TO LEFT ON THE RAMPS THE DELINEATORS AT THE POINT OF CROSSOVER ARE TO BE AT THE SAME STATION ON EACH SIDE.
5. NO DELINEATORS ARE TO BE PLACED IN PAVED BERM
6. WHEN RADII OF CURVE ON RAMPS REQUIRE 100' SPACING THE DELINEATORS SHALL BE PLACED ON THE RIGHT IN RELATION TO THE FLOW OF TRAFFIC.
7. RAMP DELINEATOR AT END OF ACCELERATION & BEGINNING OF DECELERATION LANES TO BE A MAXIMUM OF 5' FROM POINT OF TANGENCY AT MAIN LINE.
8. ALL RAMP DELINEATORS SHALL BE PLACED TO THE NEAREST 5' INCREMENTS, SUCH AS +05, +10, +15, +20 AND SO ON.



TYPICAL DELINEATOR PLACEMENT



LATERAL PLACEMENT OF DELINEATORS

* TABLE

TYPE DELINEATOR	NO GUARDRAIL	GUARDRAIL
SINGLE WHITE	12'-6"	6' OUTSIDE
DOUBLE AMBER RIGHT SIDE	** 8'-6"	6' OUTSIDE
DOUBLE AMBER LEFT SIDE	4'-6"	6' OUTSIDE
TRIPLE AMBER	12'-6"	6' OUTSIDE

** THIS DIMENSION SHALL VARY ON SPEED CHANGE LANES TO MAINTAIN MINIMUM DISTANCE OF 2'-6" FROM EDGE OF PAVED SHOULDER.

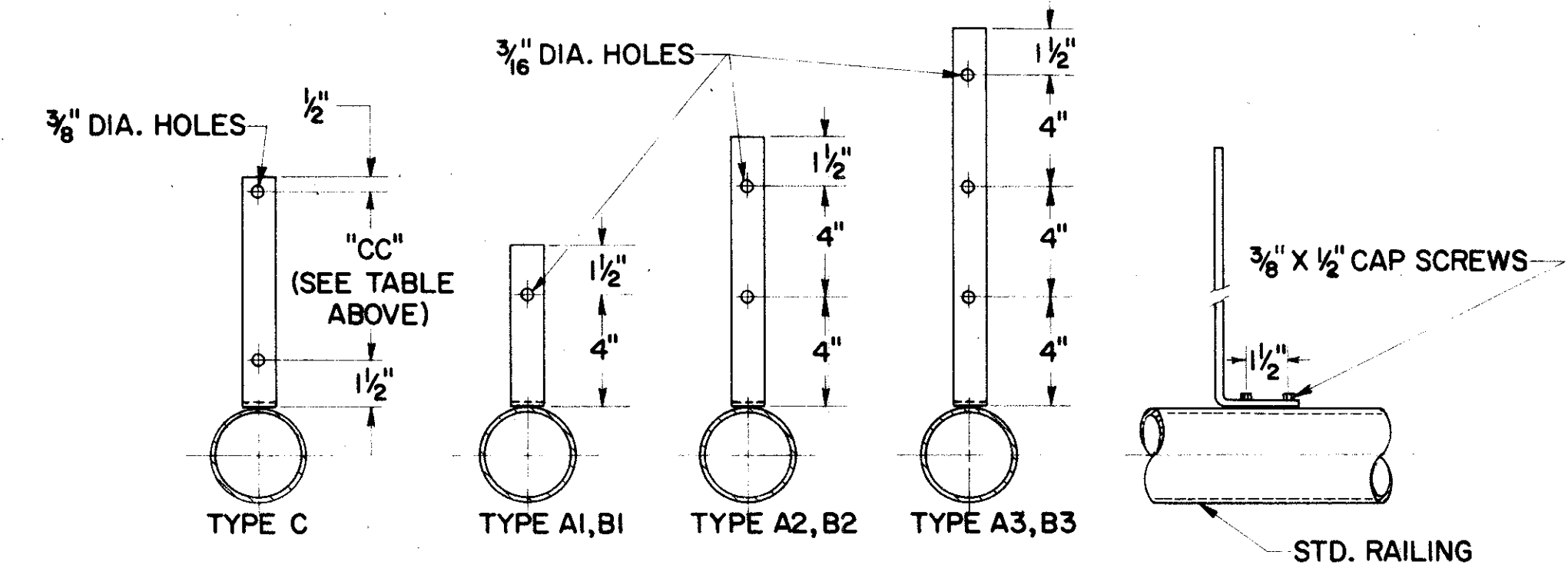
DELINEATOR SPACING ON RAMP HORIZONTAL CURVES

RADII, FT.		SPACING ON CURVE	* TRANSITION SPACING	
FROM	TO			
TANGENT	1,801	100'	100'	100'
	1,800	80'	100'	100'
	1,400	70'	100'	100'
	1,000	60'	100'	100'
	750	50'	80'	100'
	550	40'	70'	100'
	325	30'	60'	100'

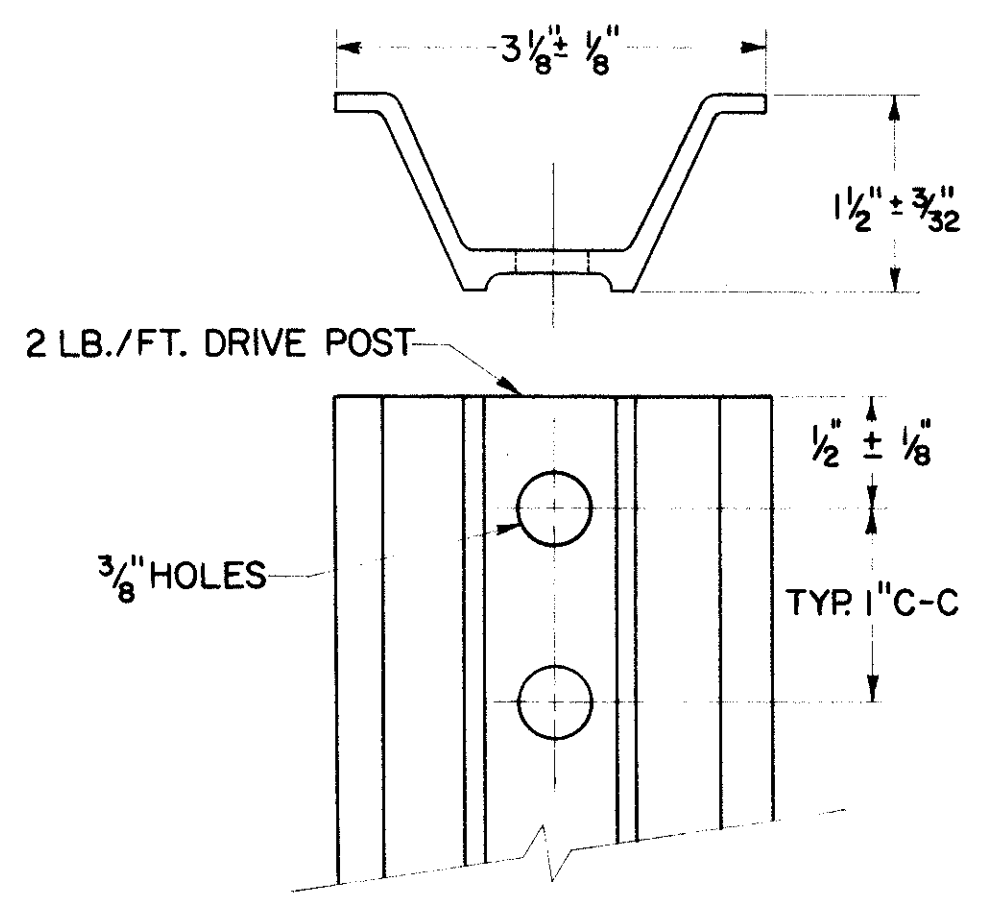
* SUCH AS 40' TO 70' TO 100' OR 100' TO 80' TO 50' OR ANY OTHER COMBINATION SHOWN ABOVE.

TYPE	DIM. CC
C1- SINGLE WHITE	6"
C2- DOUBLE AMBER	11"
C3- TRIPLE AMBER	16"

ALL BRACKETS 1/4" X 1/4" STAINLESS STEEL



BRIDGE RAIL BRACKET



DELINEATOR POST

BUREAU OF TRAFFIC
OHIO DEPARTMENT OF HIGHWAYS

DELINEATOR DETAILS

APPROVED *Robert Elamers*
ENGINEER OF TRAFFIC

DATE
9-25-62
5-24-65