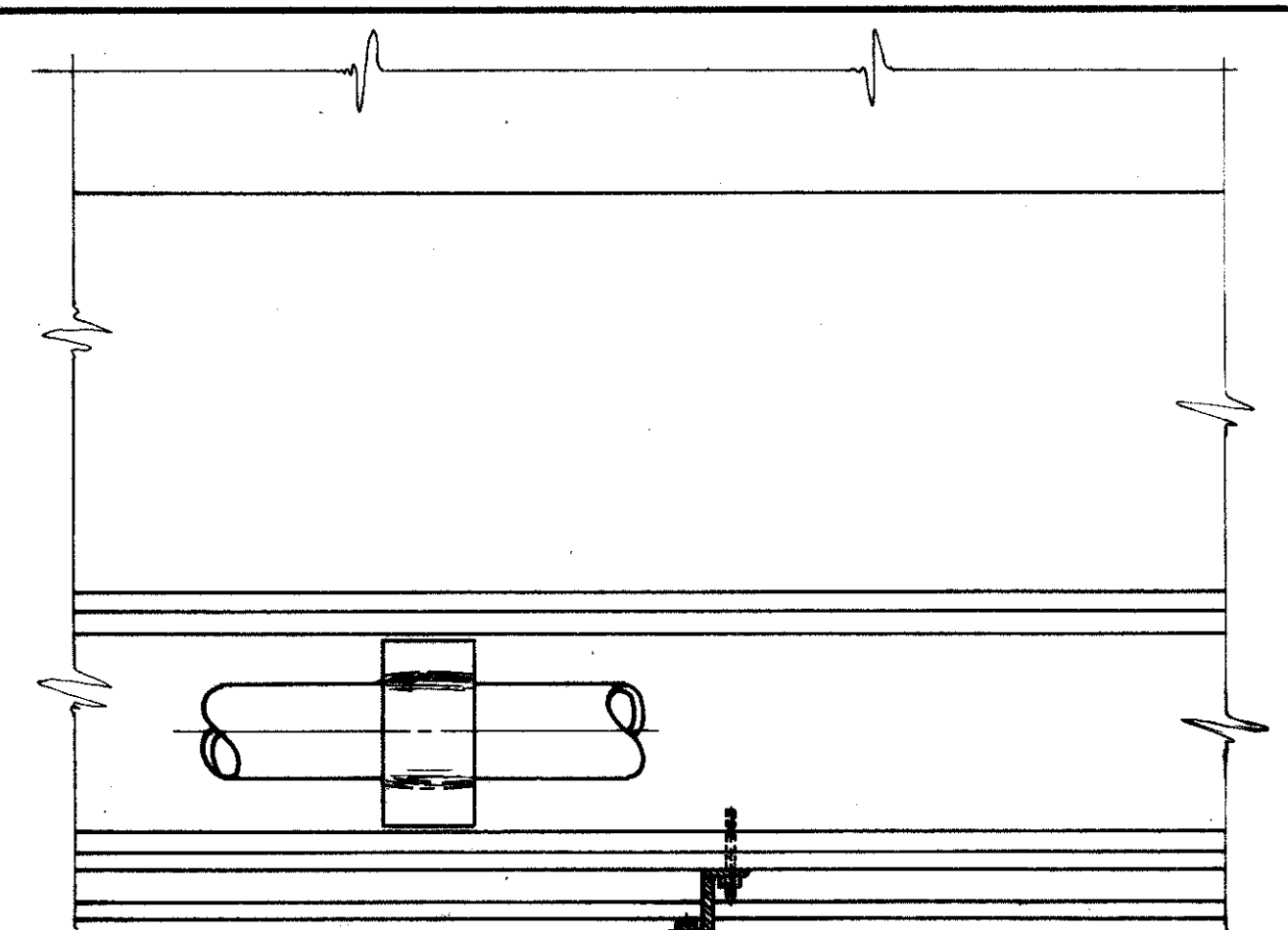
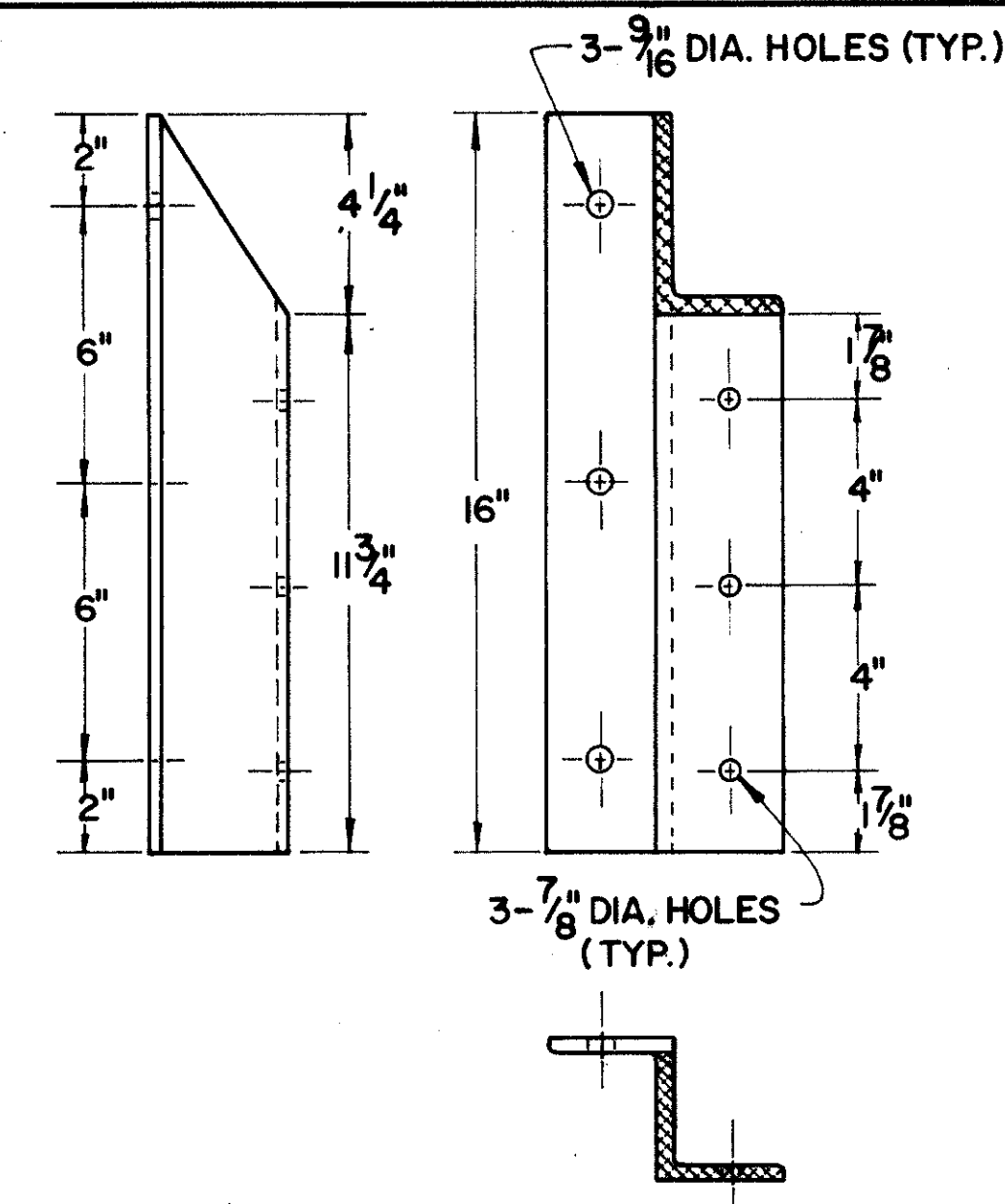


LAK-2-0.02

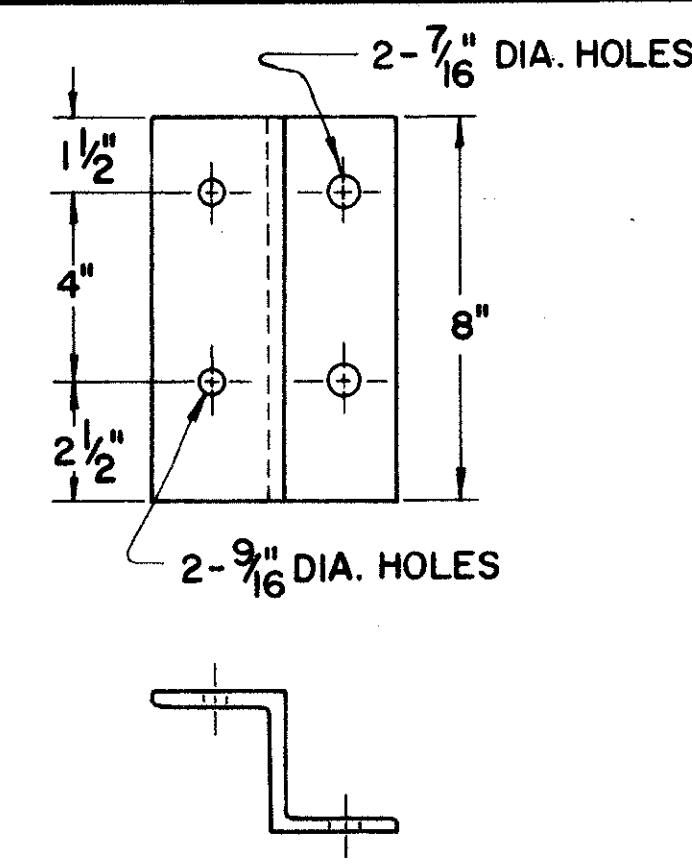


HORIZONTAL "Z" BAR
2 3/8" x 1 1/4" x 3/16" (ALUM.)

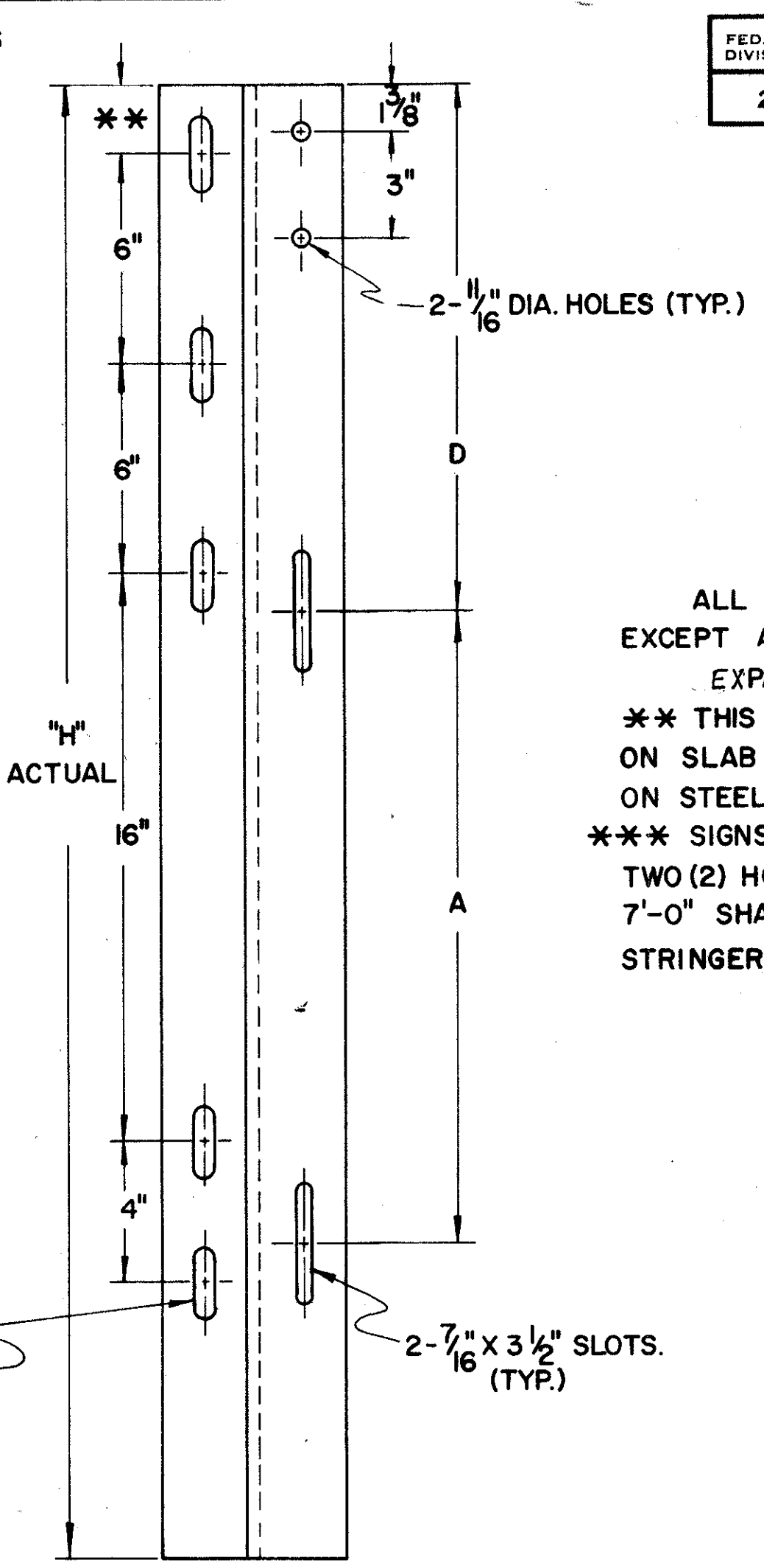
SEE E1-1&2 FOR
SUPPORT ARM "G"
DETAILS.



"Z" BAR - A
(3" x 2 1/16" x 1/4" @ 2.33 LB.)



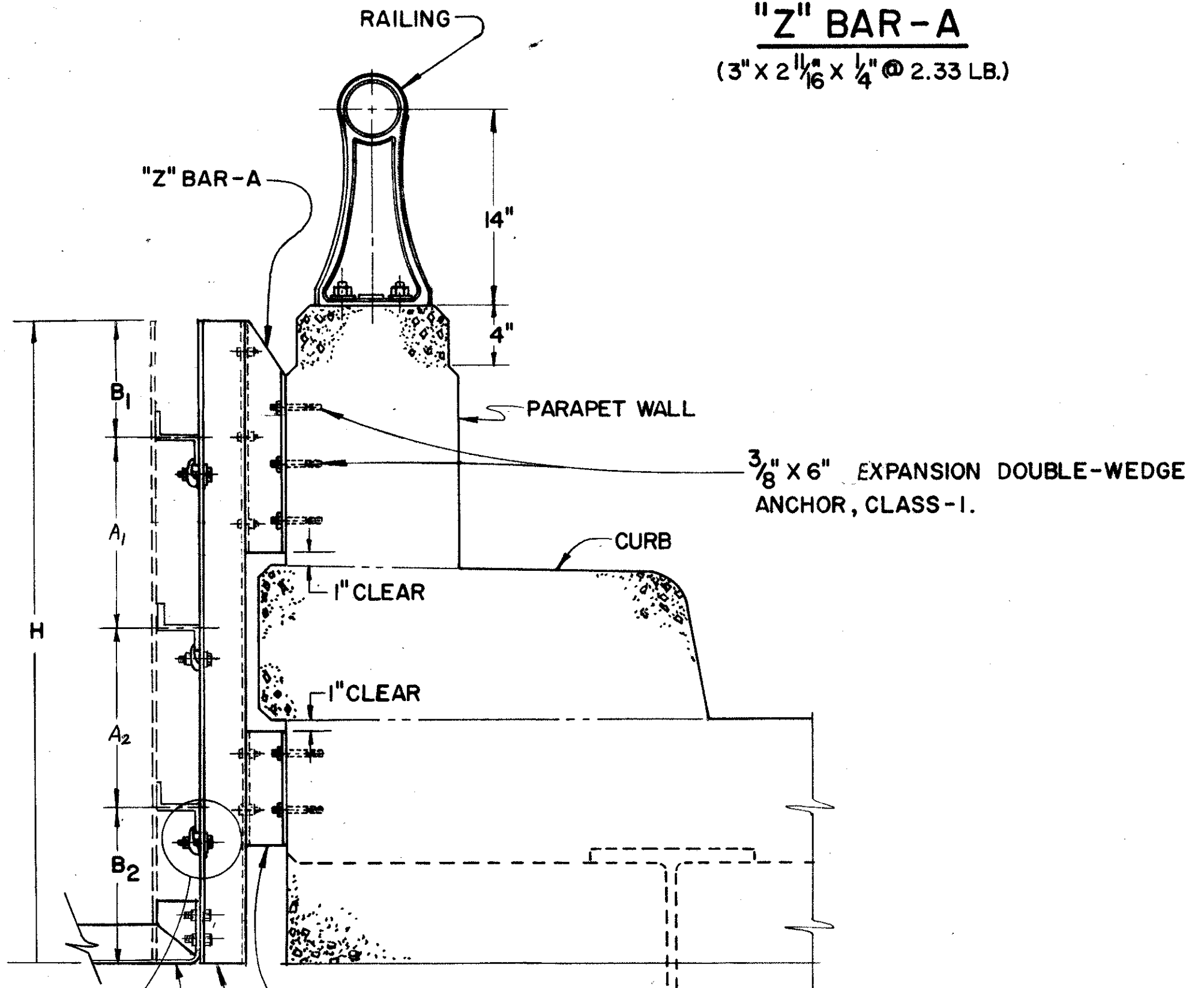
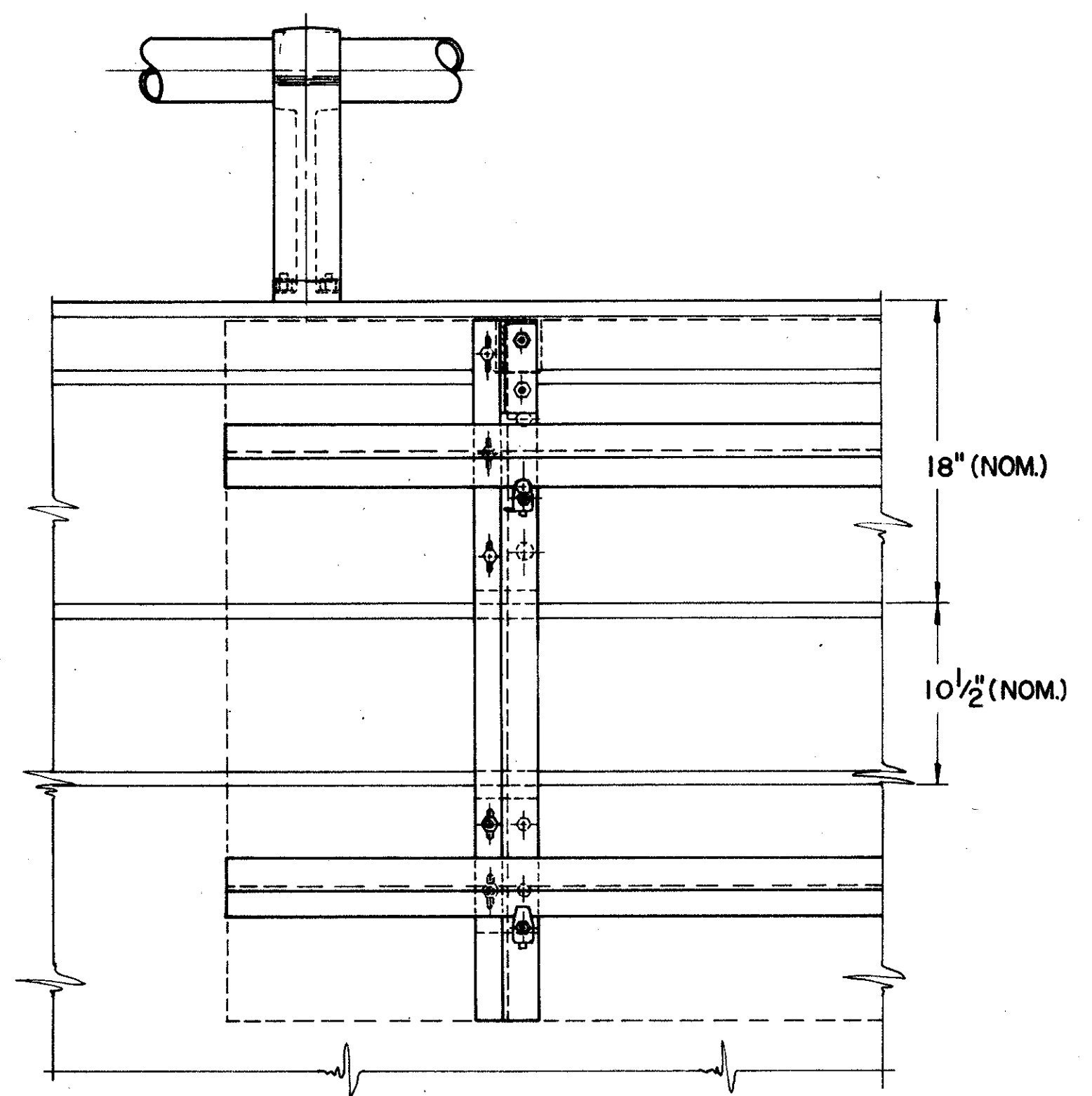
"Z" BAR - B
(3" x 2 1/16" x 1/4" @ 2.33 LB.)



"Z" BAR - C
(3" x 2 1/16" x 1/4" @ 2.33 LB.)

NOTES

ALL STRUCTURAL SHAPES TO BE ALUMINUM, EXCEPT AS NOTED.
EXPANSION BOLTS TO BE GALVANIZED STEEL.
** THIS DIMENSION VARIES FOR SIGN OVER 4'-6" ON SLAB TYPE BRIDGES AND SIGNS OVER 5'-6" ON STEEL GIRDER TYPE BRIDGES.
*** SIGNS 4'-0" TO 5'-6" IN HEIGHT SHALL HAVE TWO (2) HORIZONTAL STRINGERS. SIGNS 6'-0" TO 7'-0" SHALL HAVE THREE (3) HORIZONTAL STRINGERS.

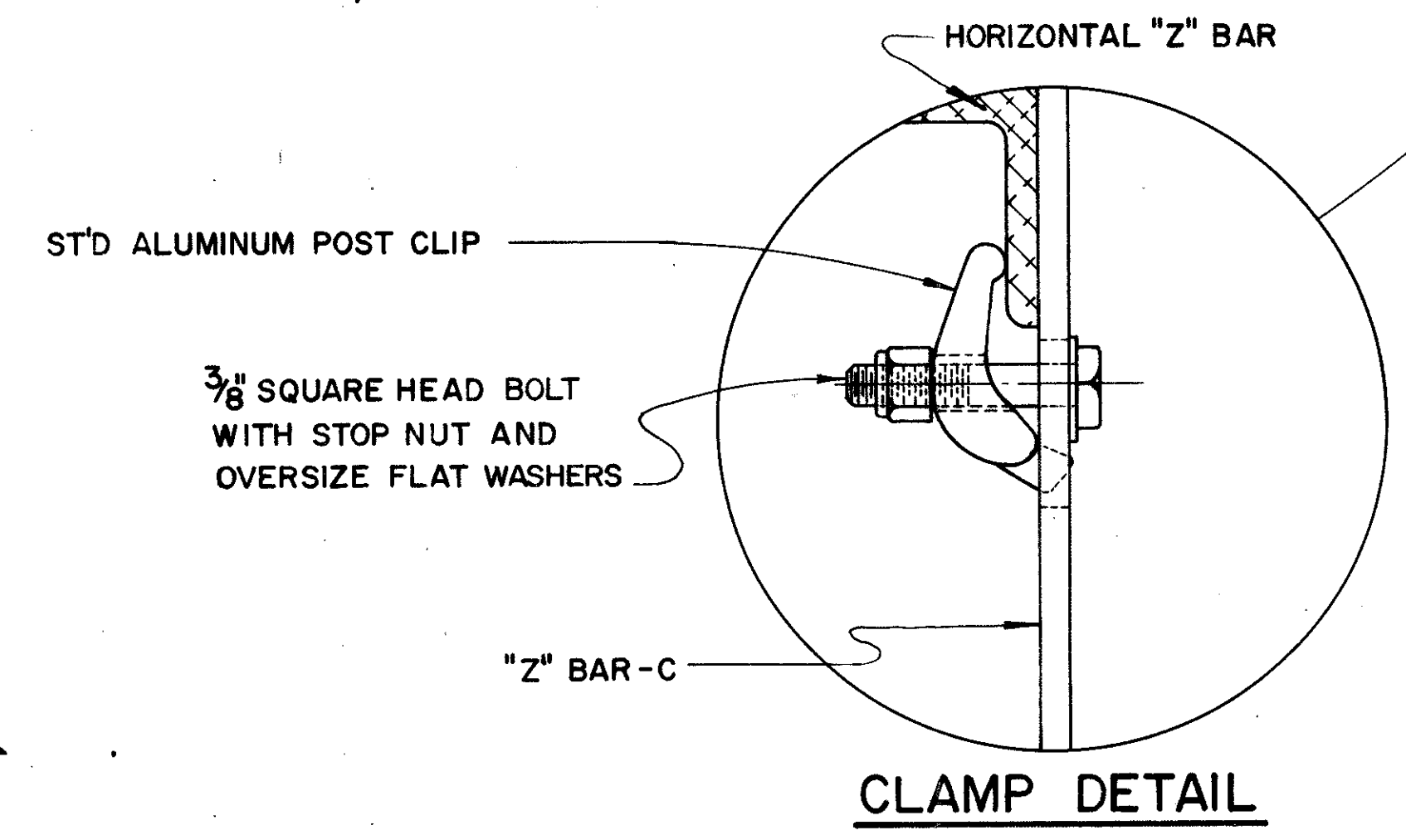


NOTE
ADAPTABLE TO BOTH SLAB AND STEEL GIRDER TYPE BRIDGES.

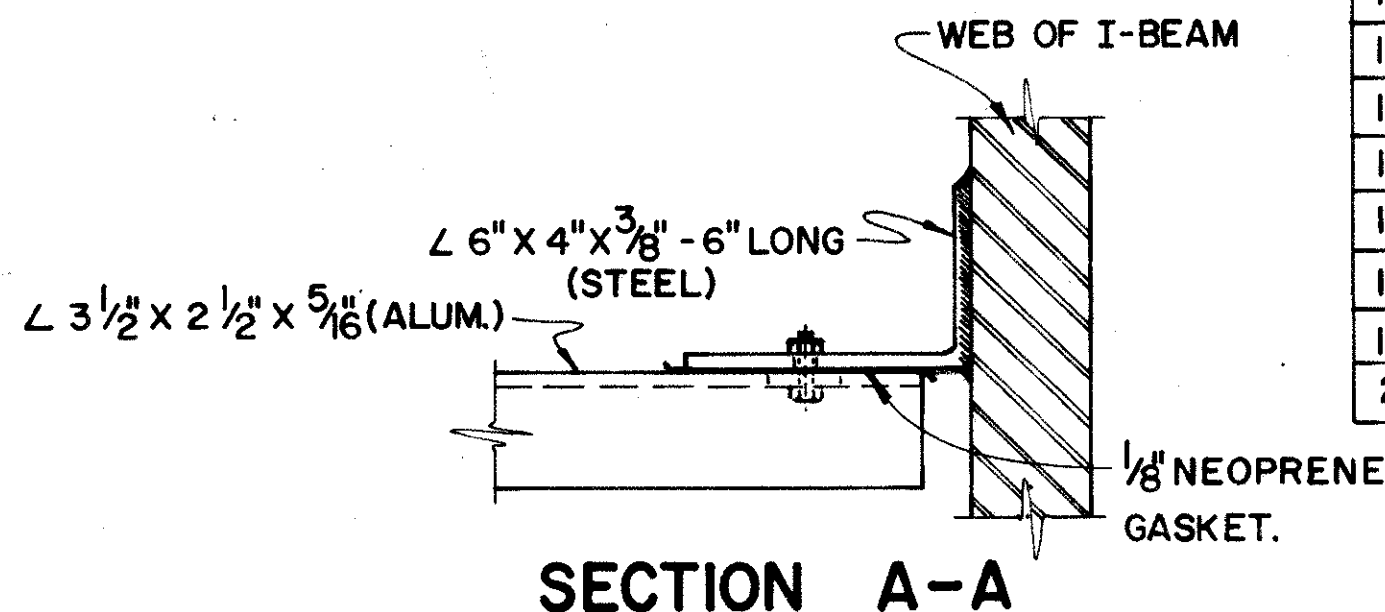
SIGN LENGTH	VERTICAL BRACKET SPACING	NO. OF FIXTURES		BALLAST
		75 3/8"	99 3/8"	
6'-0"	6", 60", 6"	1	1	1
7'-0"	6", 72", 6"	1	1	1
8'-0"	10 3/8", 75 3/8", 10 1/4"	1	1	1
9'-0"	16 3/8", 75 3/8", 16 1/4"	1	1	1
10'-0"	10 3/8", 50", 49 3/8", 10 1/4"	1	1	1
11'-0"	16 3/8", 50", 49 3/8", 16 1/4"	1	1	1
12'-0"	6", 66", 66", 6"	2	1	1
13'-0"	6", 72", 72", 6"	2	1	1
14'-0"	8 5/8", 75 3/8", 75 3/8", 8 5/8"	2	1	1
15'-0"	14 5/8", 75 3/8", 75 3/8", 14 5/8"	2	1	1
16'-0"	8 5/8", 75 3/8", 50", 49 3/8", 8 5/8"	1	1	1
17'-0"	14 5/8", 75 3/8", 50", 49 3/8", 14 5/8"	1	1	1
18'-0"	8 5/8", 50", 49 3/8", 50", 49 3/8", 8 5/8"	2	1	1
19'-0"	14 5/8", 50", 49 3/8", 50", 49 3/8", 14 5/8"	2	1	1
20'-0"	7", 75 3/8", 75 3/8", 75 3/8", 6 7/8"	3	2	2

ACTUAL SIGN HEIGHT	EFFECTIVE SIGN HEIGHT	HORIZONTAL STRINGER SPACING				NO. OF STRINGERS
		B ₁ & B ₂	A ₁	A ₂	D	
4'-0"	3'-0"	10 3/4"	26 1/2"	—	13	2
4'-6"	3'-6"	12"	30"	—	14 1/4"	2
5'-0"	4'-0"	13 1/4"	33 1/2"	—	15 1/2"	2
5'-6"	4'-6"	14 1/2"	37"	—	16 3/4"	2
6'-0"	5'-0"	10"	26"	26"	12 1/4"	3
6'-6"	5'-6"	10 7/8"	28 1/8"	28 1/8"	13 3/8"	3
7'-0"	6'-0"	11 3/4"	30 1/4"	30 1/4"	14"	3

*ACTUAL SIGN HEIGHT INCLUDES 12" GLARE SHIELD.



CLAMP DETAIL



SECTION A-A

BUREAU OF TRAFFIC
OHIO DEPARTMENT OF HIGHWAYS

SPECIAL SIGN SUPPORT **816 SPL** DATE 10-14-65

APPROVED *Jud. M. ...*
ENGINEER OF TRAFFIC