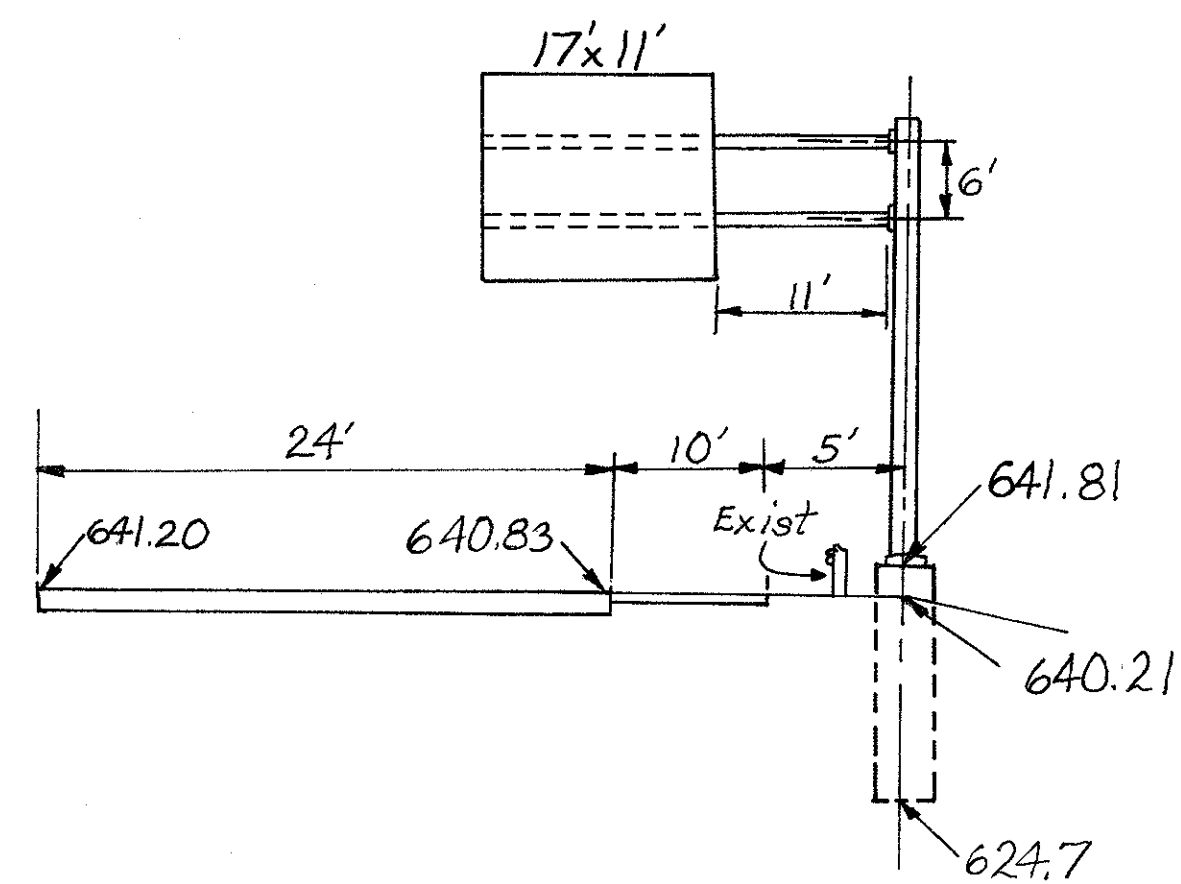


20



STA. 294+50
816 12.24 DESIGN #8 28' ARMS
SIGN 17x11'
BRKT SPACING 14⁵/₈"-75³/₈"-50"-49³/₈"-14⁵/₈"
No. OF BRKTS 4, TYPE-Y₅, HT.-11'

FED. RD. DIVISION	STATE	PROJECT
2	OHIO	

66
141

LAK-2-0.02