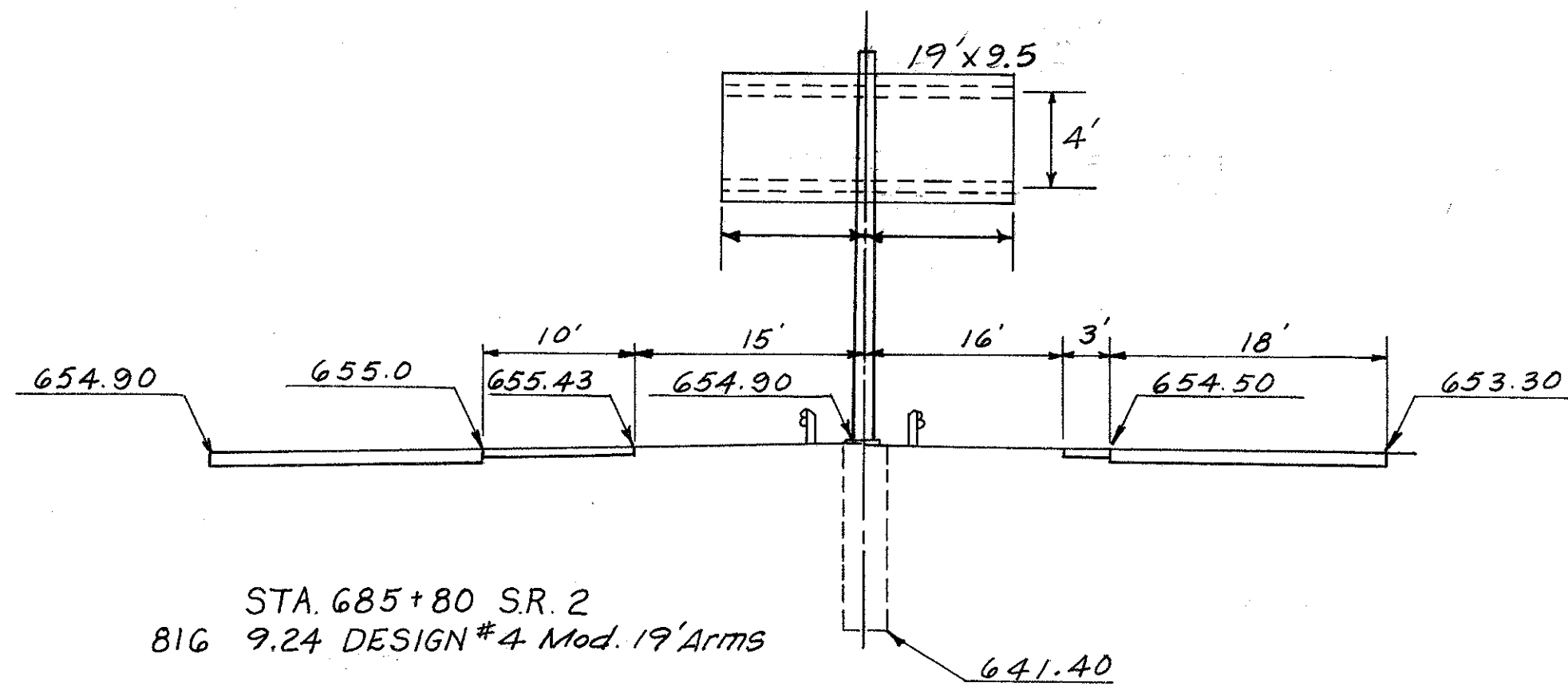


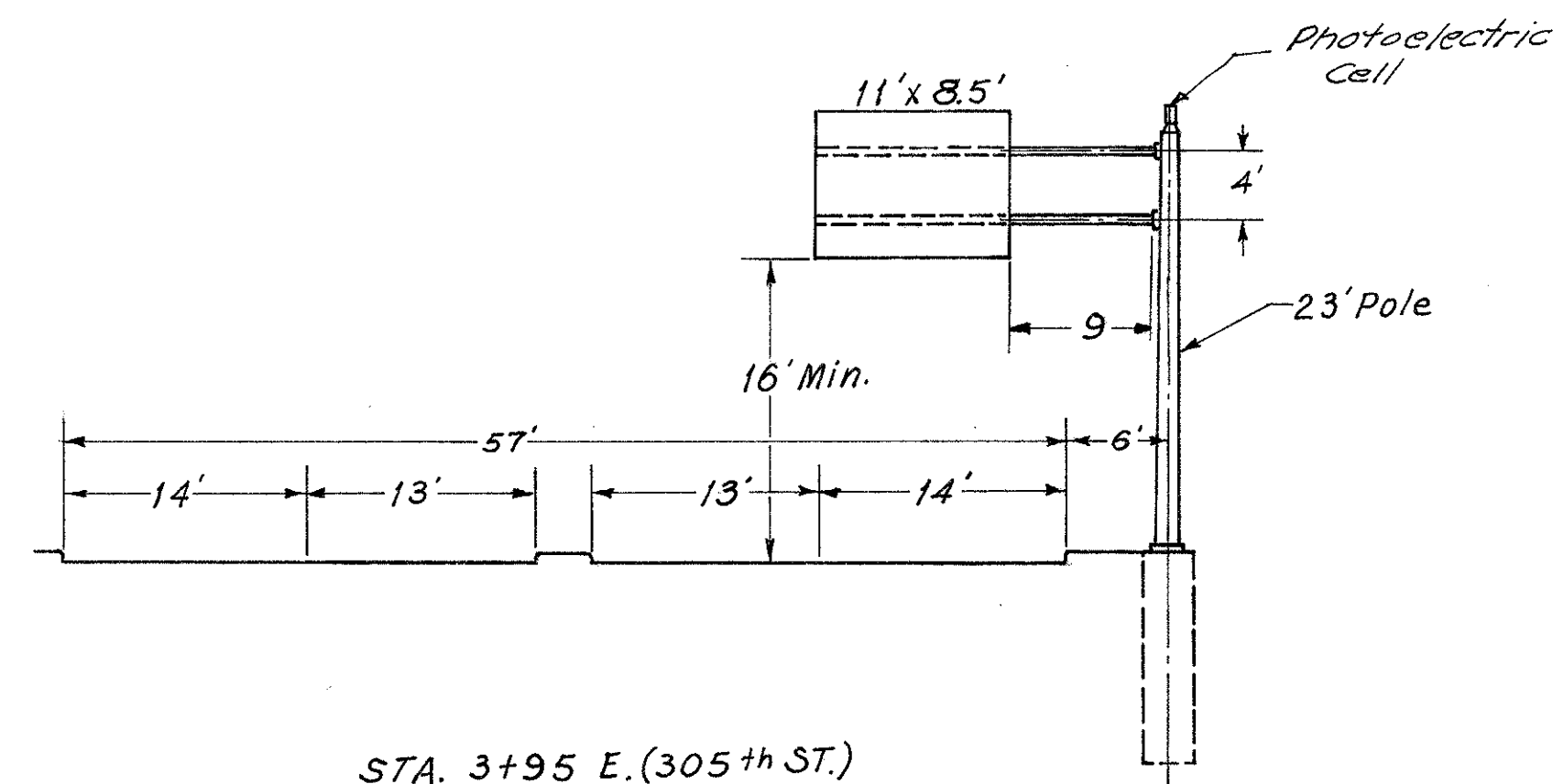
119



STA. 685+80 S.R. 2
816 9.24 DESIGN #4 Mod. 19' ARMS

SIGN 19' x 9.5'
BRKT. SPACING - 14 5/8", 50", 49 3/8", 50", 49 3/8", 14 5/8"
No. OF BRKTS. - 5, TYPE - Ys, HT. - 9.5'

60



STA. 3+95 E. (305th ST.)
816 12.24 DESIGN #4 MOD. 20' ARMS
SIGN 11' x 8.5'

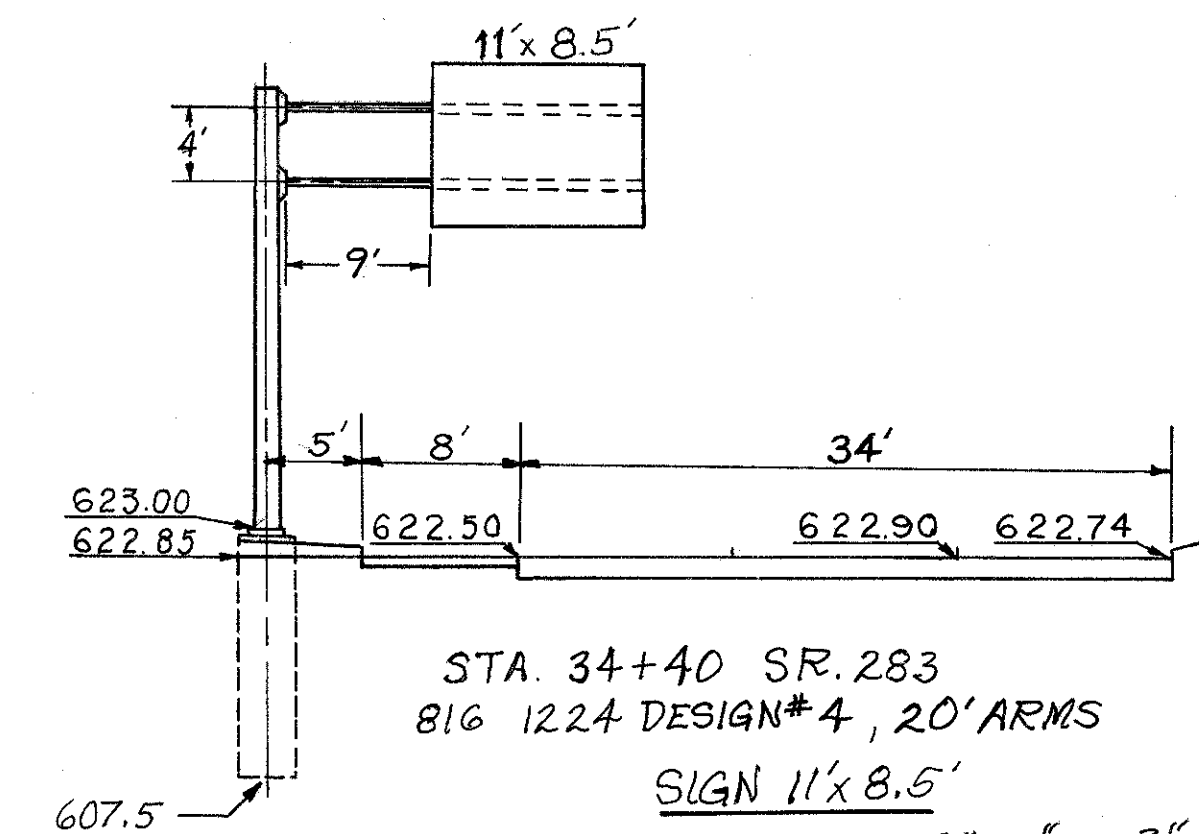
BRKT. SPACING - 16 3/8", 50", 49 3/8", 10 1/4"
No. OF BRKTS. 3 TYPE - Ys HEIGHT - 8.5'

46

FED. RD. DIVISION	STATE	PROJECT	
2	OHIO		

LAK-2-0.02

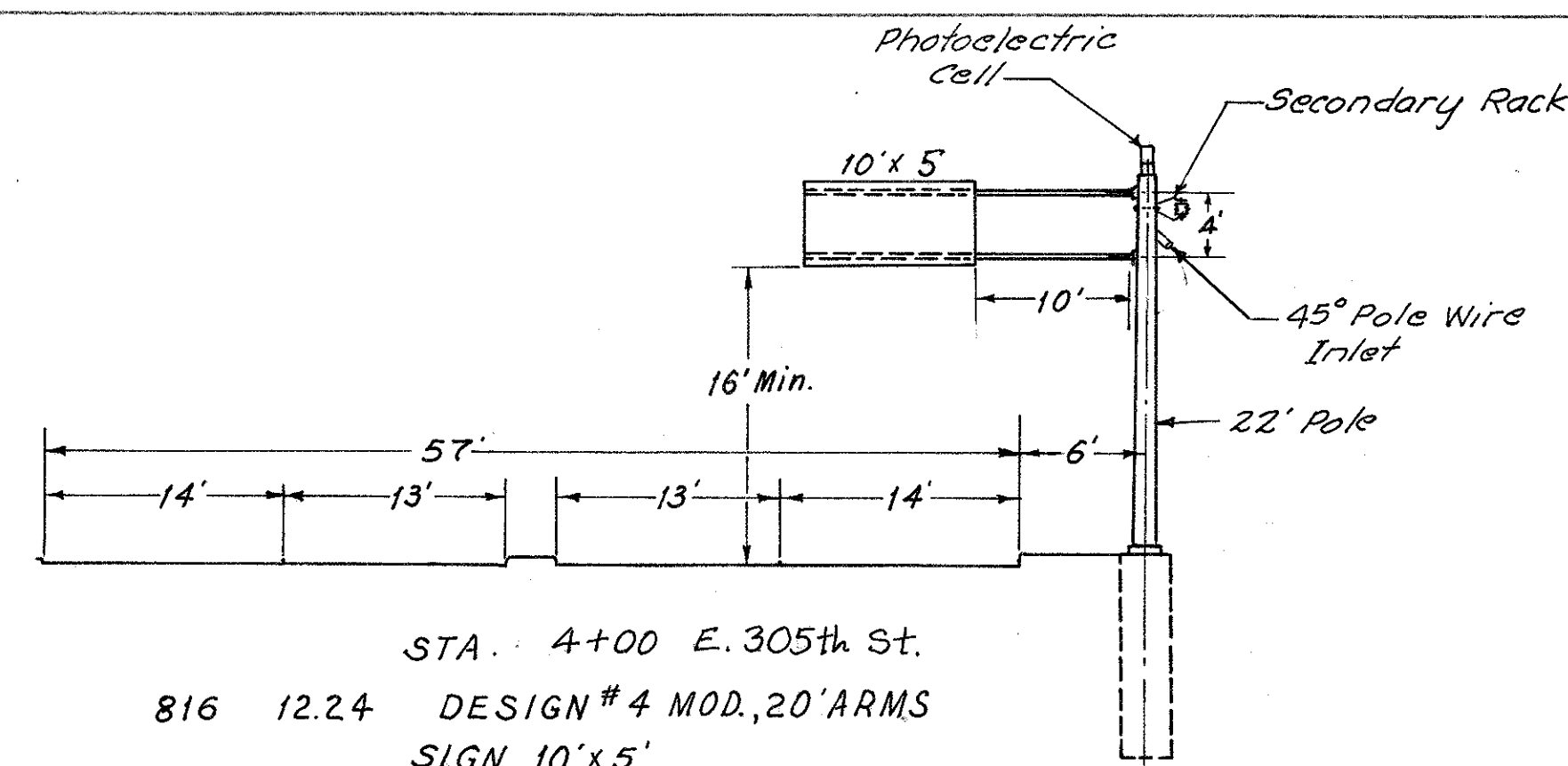
65
141



STA. 34+40 S.R. 283
816 12.24 DESIGN #4, 20' ARMS

SIGN 11' x 8.5'
BRKT. SPACING - 16 3/8" - 50" - 49 3/8" - 16 1/4"
No. OF BRKTS. 3, TYPE Ys, HT. 8.5'

57

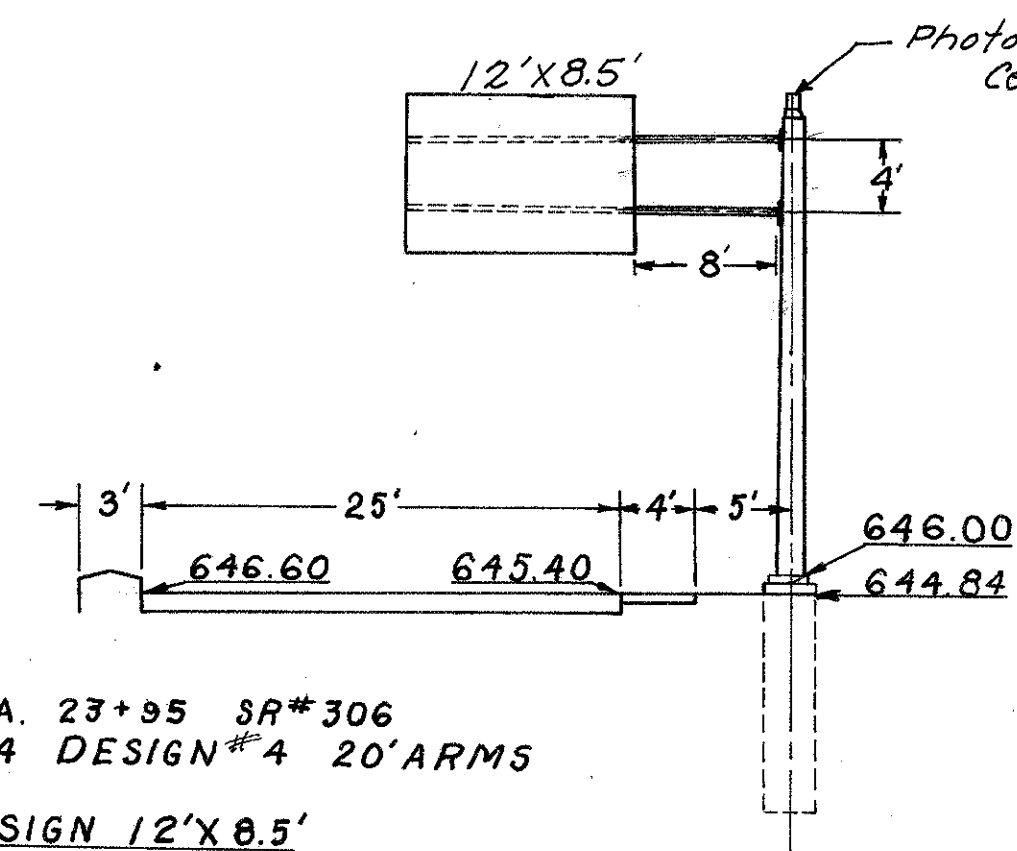


STA. 4+00 E. 305th St.
816 12.24 DESIGN #4 MOD. 20' ARMS
SIGN 10' x 5'

BRKT. SPACING - 10 3/8", 99 3/8", 10 1/4"
No. OF BRKTS. - 2 TYPE - Xs, - HEIGHT - 5'

136

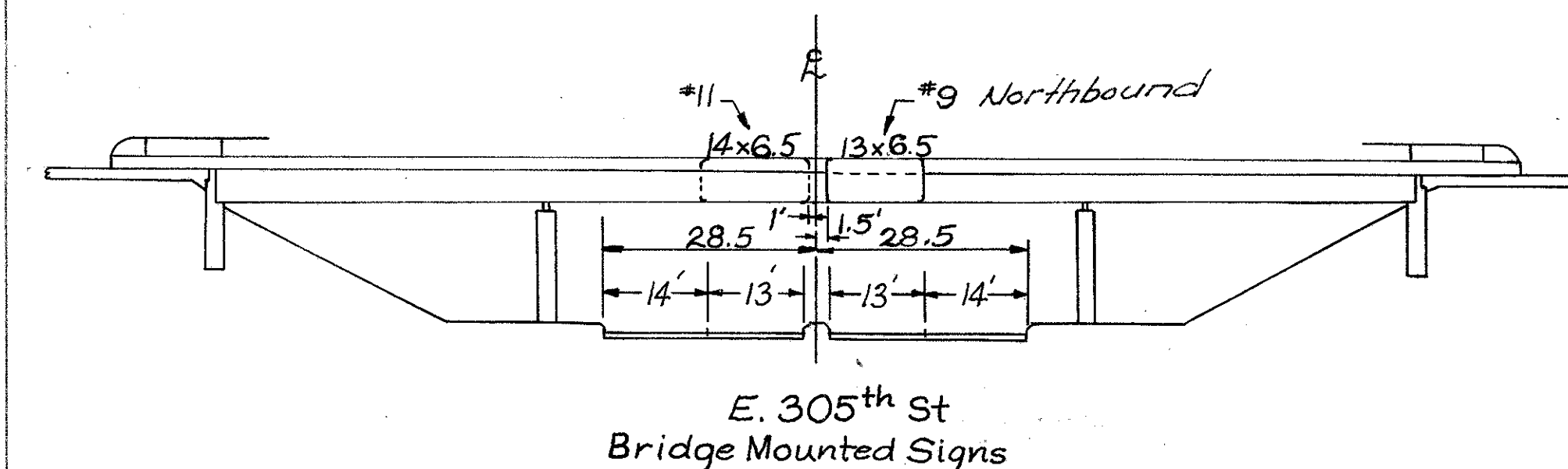
BACK TO BACK



STA. 23+95 SR #306
816 12.24 DESIGN #4 20' ARMS

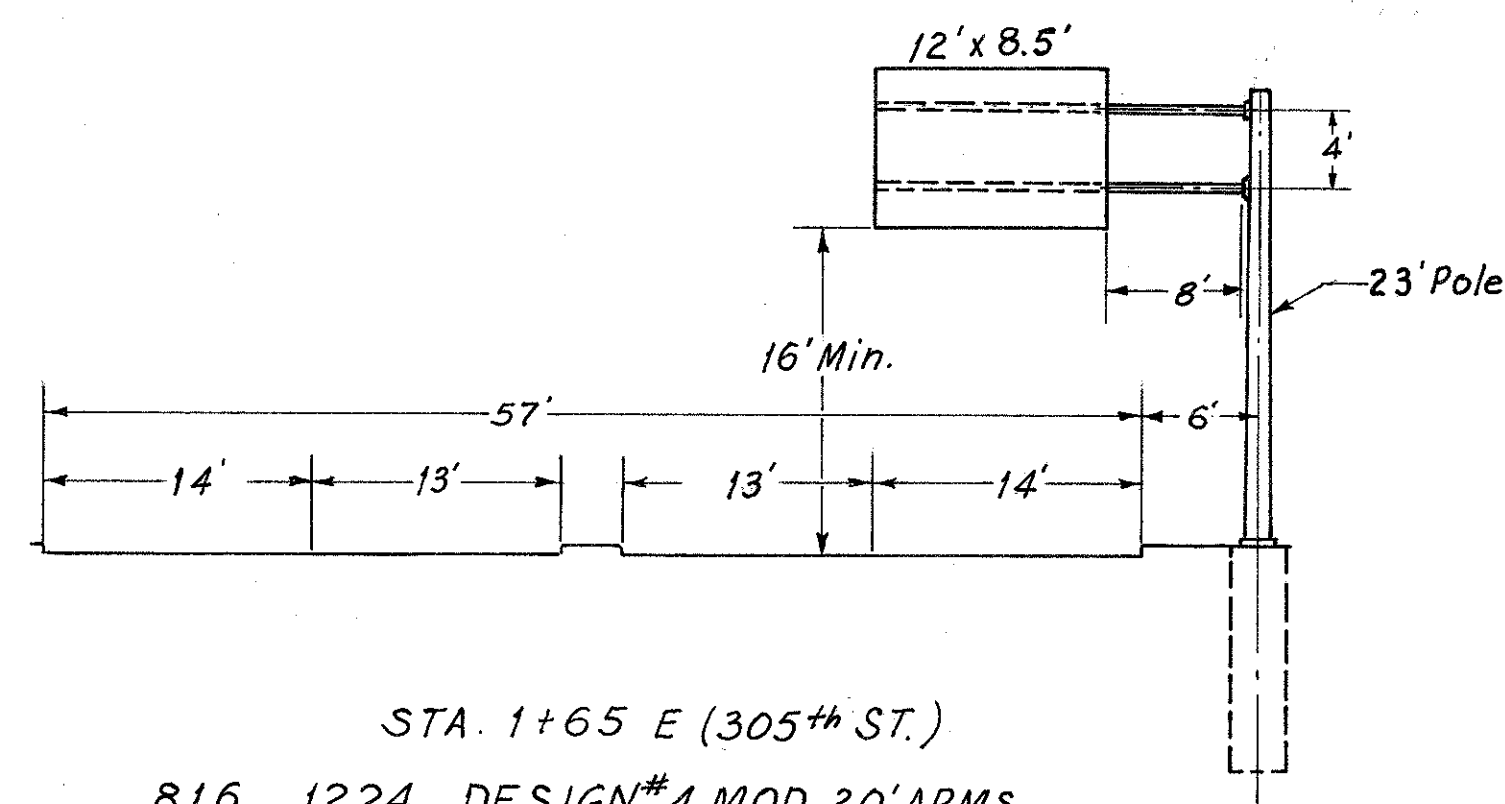
SIGN 12' x 8.5'
BRKT. SPACING - 6' - 66" - 66" - 6"
No. OF BRKTS. 3 TYPE Ys HEIGHT 8.5'

SIGN 12' x 8.5'
BRKT. SPACING - 6' - 66" - 66" - 6"
No. OF BRKTS. 3 TYPE Ys HEIGHT 8.5'



E. 305th St
Bridge Mounted Signs

59

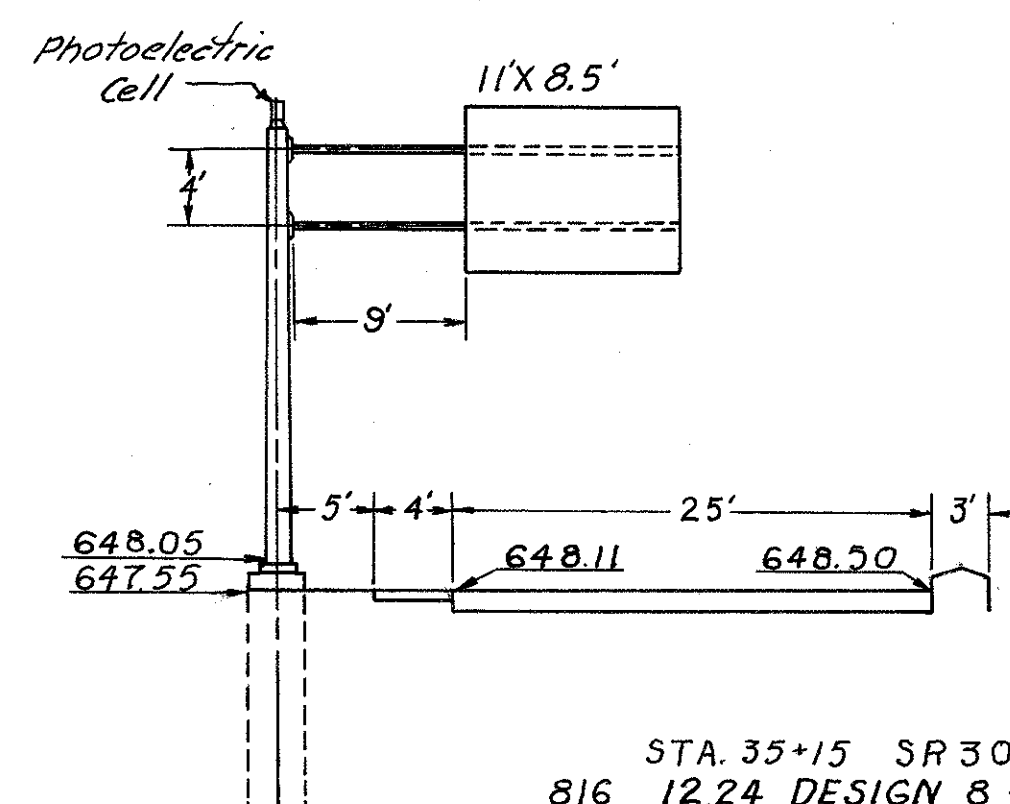


STA. 1+65 E (305th ST.)
816 12.24 DESIGN #4 MOD. 20' ARMS
SIGN 12' x 8.5'

BRKT. SPACING - 6', 66", 66", 6"
No. OF BRKTS. - 3 TYPE - Ys - HEIGHT 8.5'

137

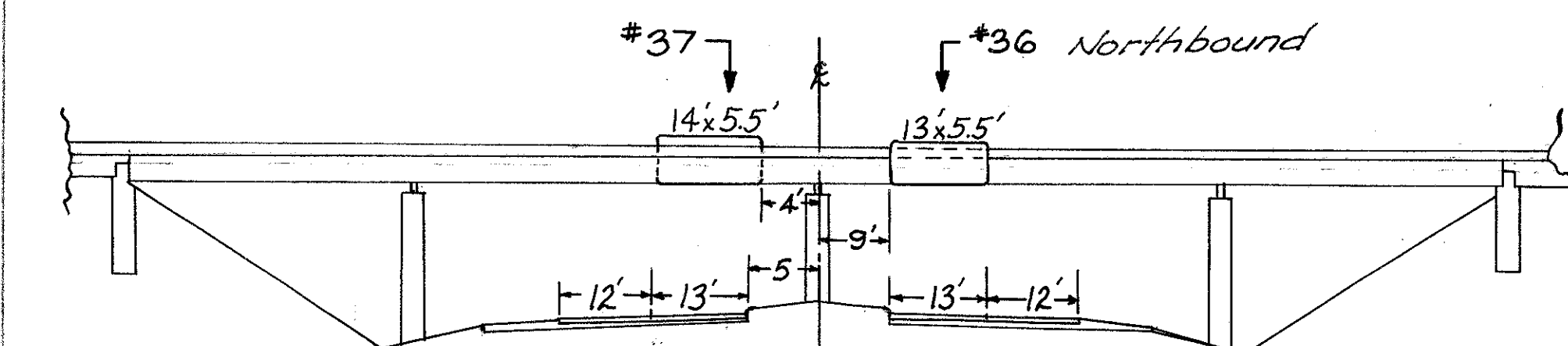
BACK TO BACK



STA. 35+15 SR 306
816 12.24 DESIGN 8 - 28' ARMS

SIGN 11' x 8.5'
BRKT. SPACING - 16 3/8" - 50" - 49 3/8" - 16 1/4"
No. OF BRKTS. 3 TYPE Xs HEIGHT 8.5'

SIGN 11' x 8.5'
BRKT. SPACING - 16 3/8" - 50" - 49 3/8" - 16 1/4"
No. OF BRKTS. 3 TYPE Xs HEIGHT 8.5'



S.R. 615
Bridge Mounted Signs