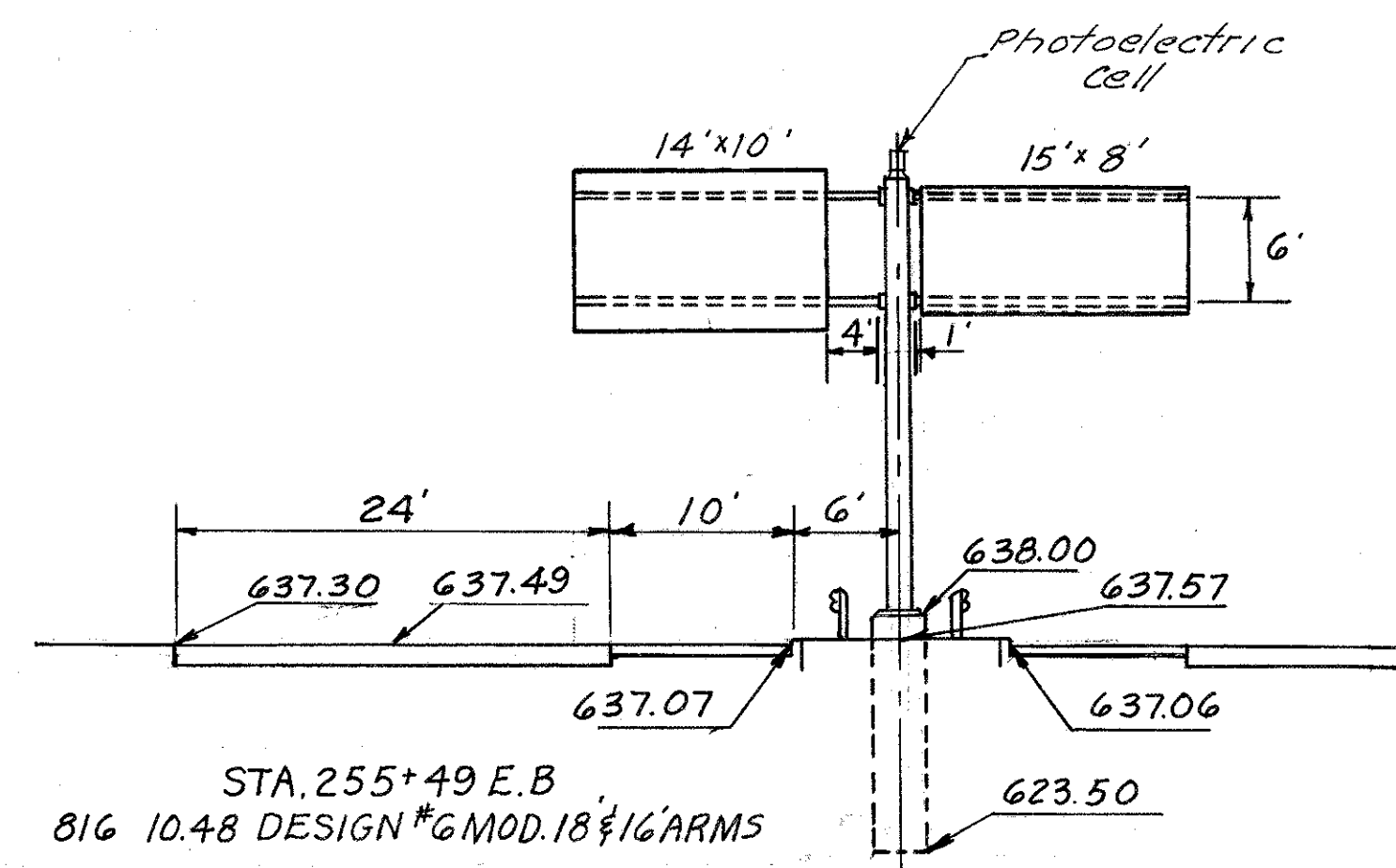


34

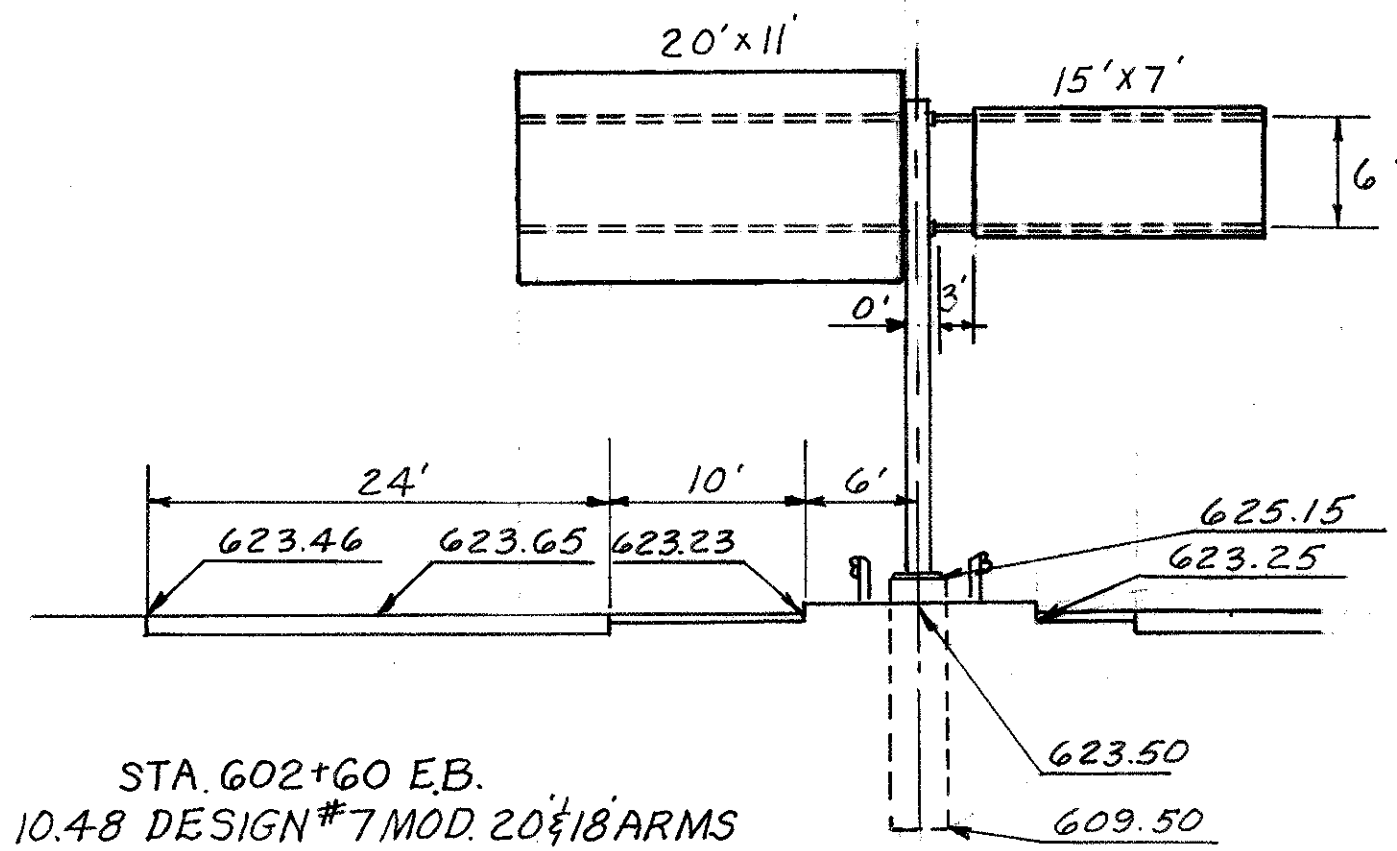


STA. 255+49 E.B.
816 10.48 DESIGN #6 MOD. 18'x16' ARMS

SIGN 14'x10'
BRKT. SPACING - 8 5/8", 75 3/8", 75 3/8", 8 5/8"
No. OF BRKTS. - 3, TYPE - Ys, HT. - 9'

SIGN 15'x8'
BRKT. SPACING - 14 5/8", 75 3/8", 75 3/8", 14 5/8"
No. OF BRKTS. - 3, TYPE - Xs, HT. - 7'

39



STA. 602+60 E.B.
816 10.48 DESIGN #7 MOD. 20'x18' ARMS

SIGN 20'x11'
BRKT. SPACING - 7", 75 3/8", 75 3/8", 75 3/8", 6 7/8"
No. OF BRKTS. - 4, TYPE - Ys, HT. - 11'

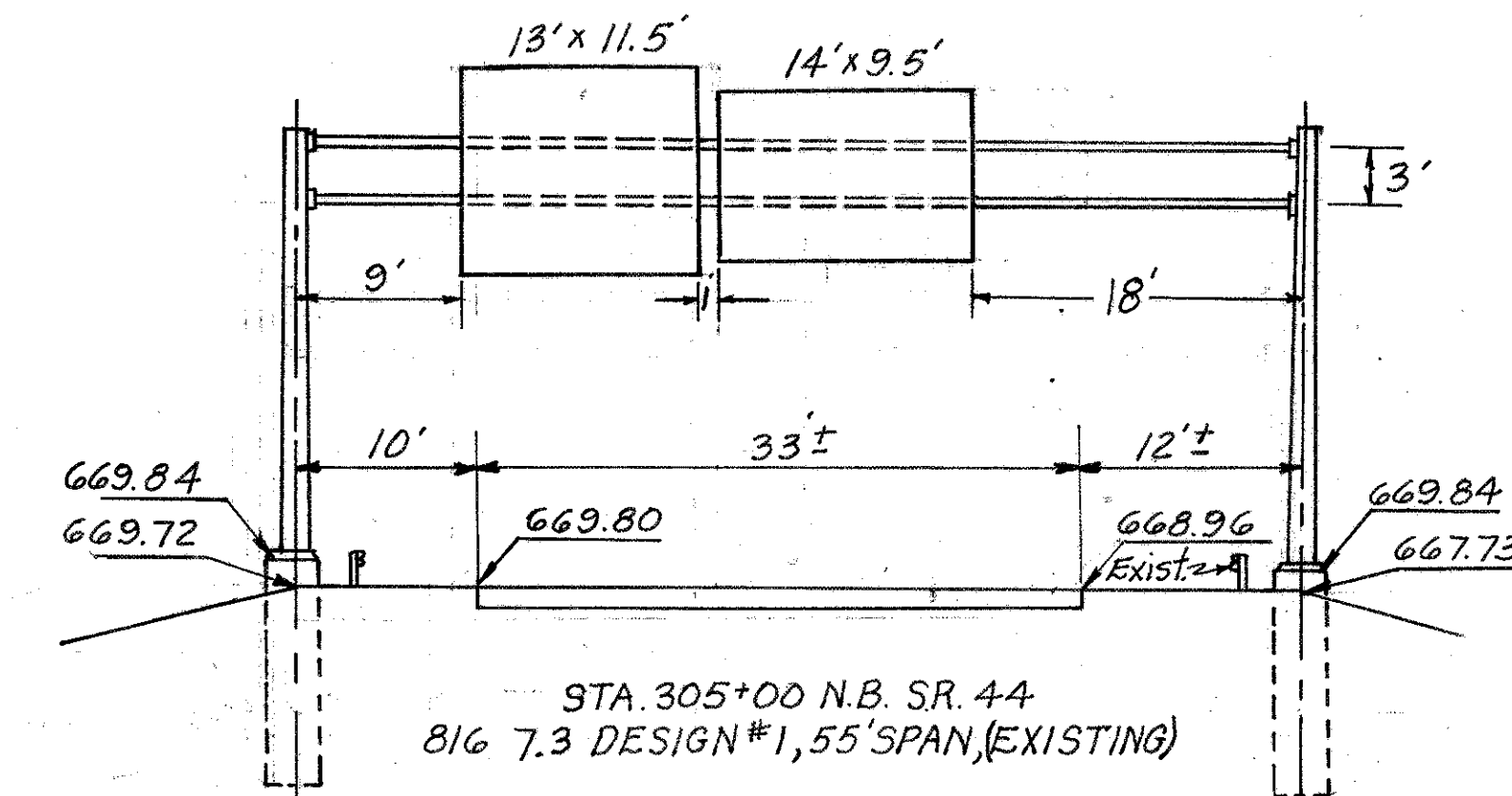
SIGN 15'x7'
BRKT. SPACING - 14 5/8", 75 3/8", 75 3/8", 14 5/8"
No. OF BRKTS. - 3, TYPE - Xs, HT. - 7'

42

FED. RD. DIVISION	STATE	PROJECT	
2	OHIO		

LAK-2-002

63
141

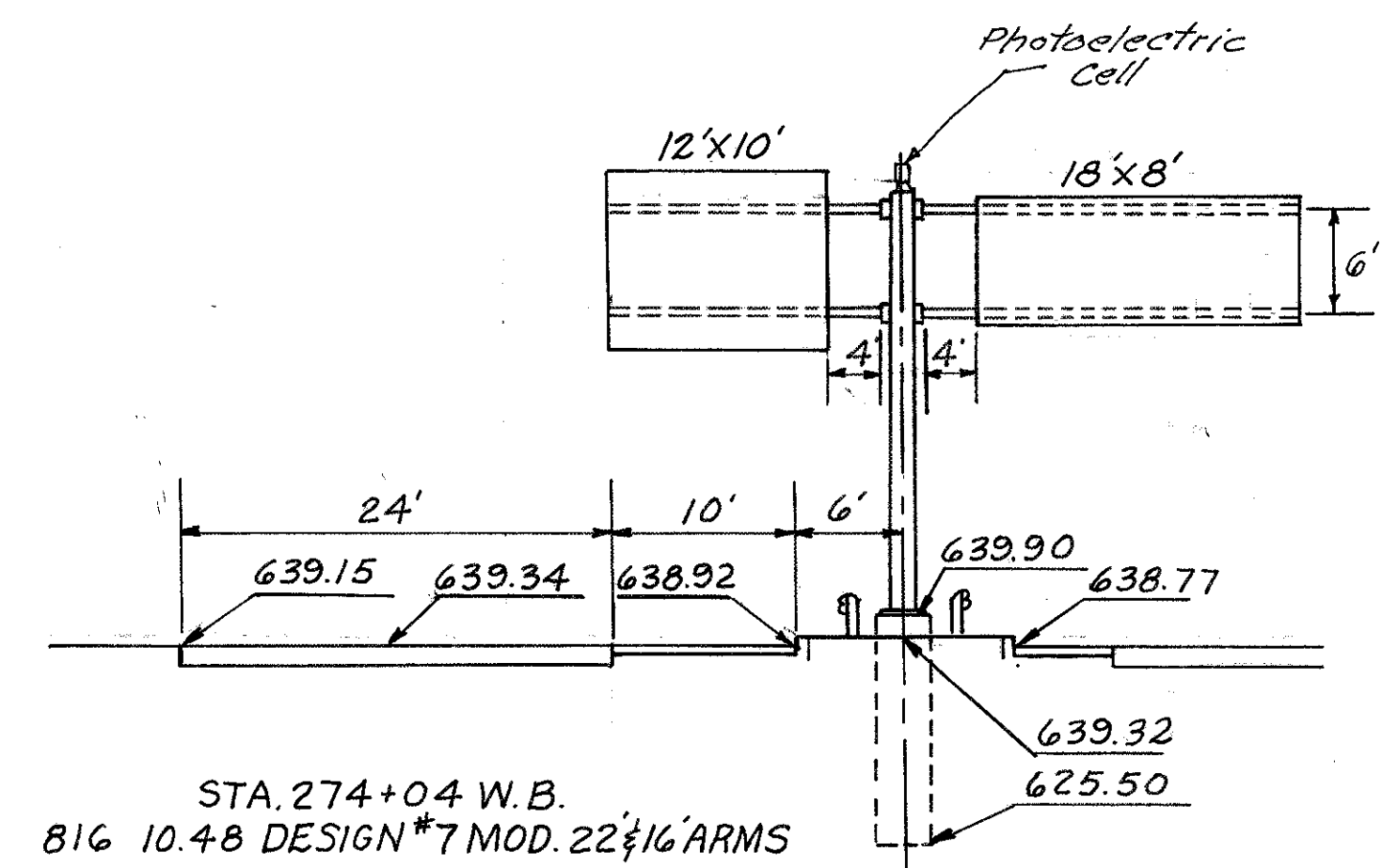


STA. 305+00 N.B. SR. 44
816 7.3 DESIGN #1, 55' SPAN, (EXISTING)

SIGN 13'x11.5'
BRKT. SPACING - 6", 36", 36", 36", 36", 6"
No. OF BRKTS. - 5, TYPE - Ya, HT. - 11.5'

SIGN 14'x9.5'
BRKT. SPACING - 8 5/8", 75 3/8", 75 3/8", 8 5/8"
No. OF BRKTS. - 3, TYPE - Ya, HT. - 9.5'

35

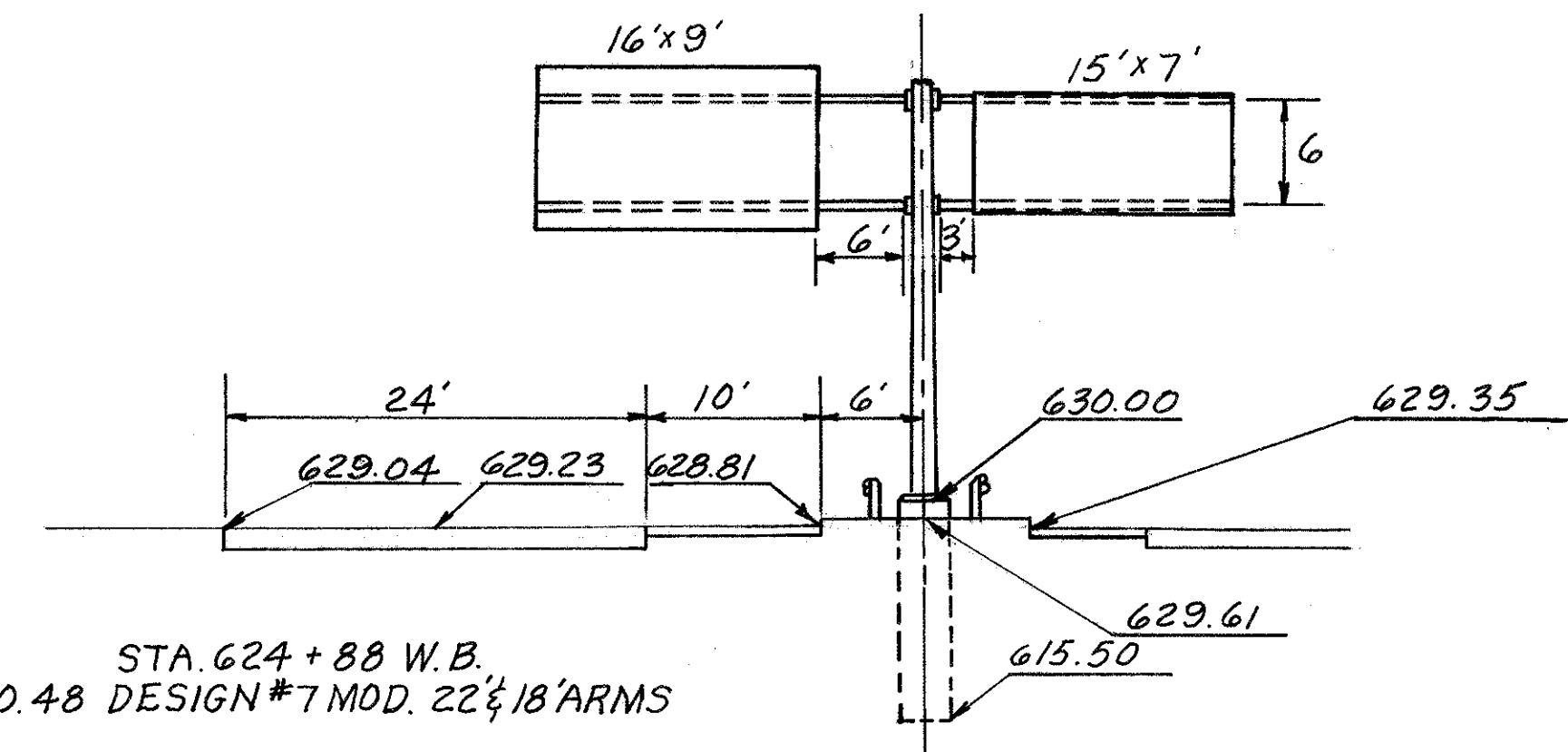


STA. 274+04 W.B.
816 10.48 DESIGN #7 MOD. 22'x16' ARMS

SIGN 18'x8'
BRKT. SPACING - 8 5/8", 99 3/8", 99 3/8", 8 5/8"
No. OF BRKTS. - 3, TYPE - Xs, HT. - 7'

SIGN 12'x10'
BRKT. SPACING - 6", 66", 66", 6"
No. OF BRKTS. - 3, TYPE - Ys, HT. - 9'

40

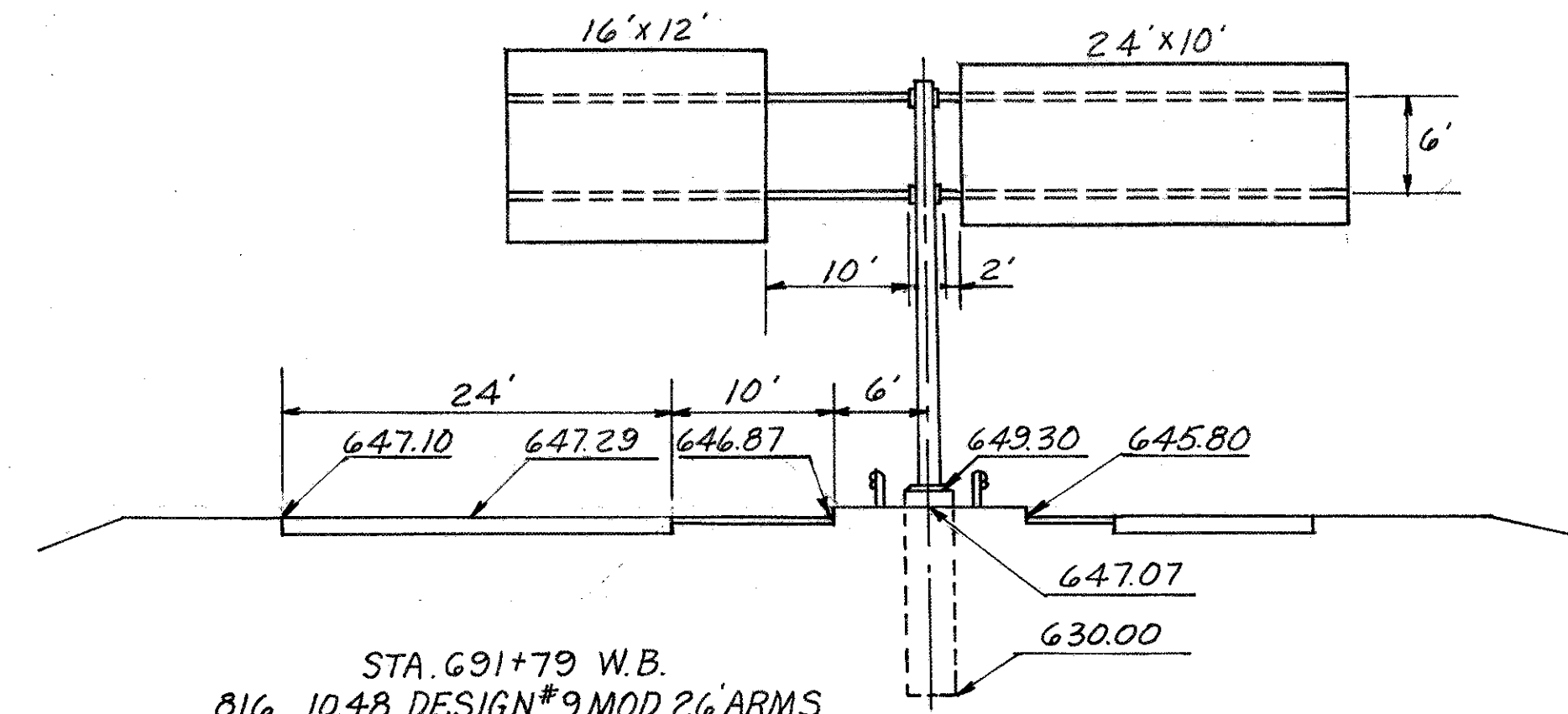


STA. 624+88 W.B.
816 10.48 DESIGN #7 MOD. 22'x18' ARMS

SIGN 16'x9'
BRKT. SPACING - 8 5/8", 75 3/8", 99 3/8", 8 5/8"
No. OF BRKTS. - 3, TYPE - Ys, HT. - 9'

SIGN 15'x7'
BRKT. SPACING - 14 5/8", 75 3/8", 75 3/8", 14 5/8"
No. OF BRKTS. - 3, TYPE - Xs, HT. - 7'

43

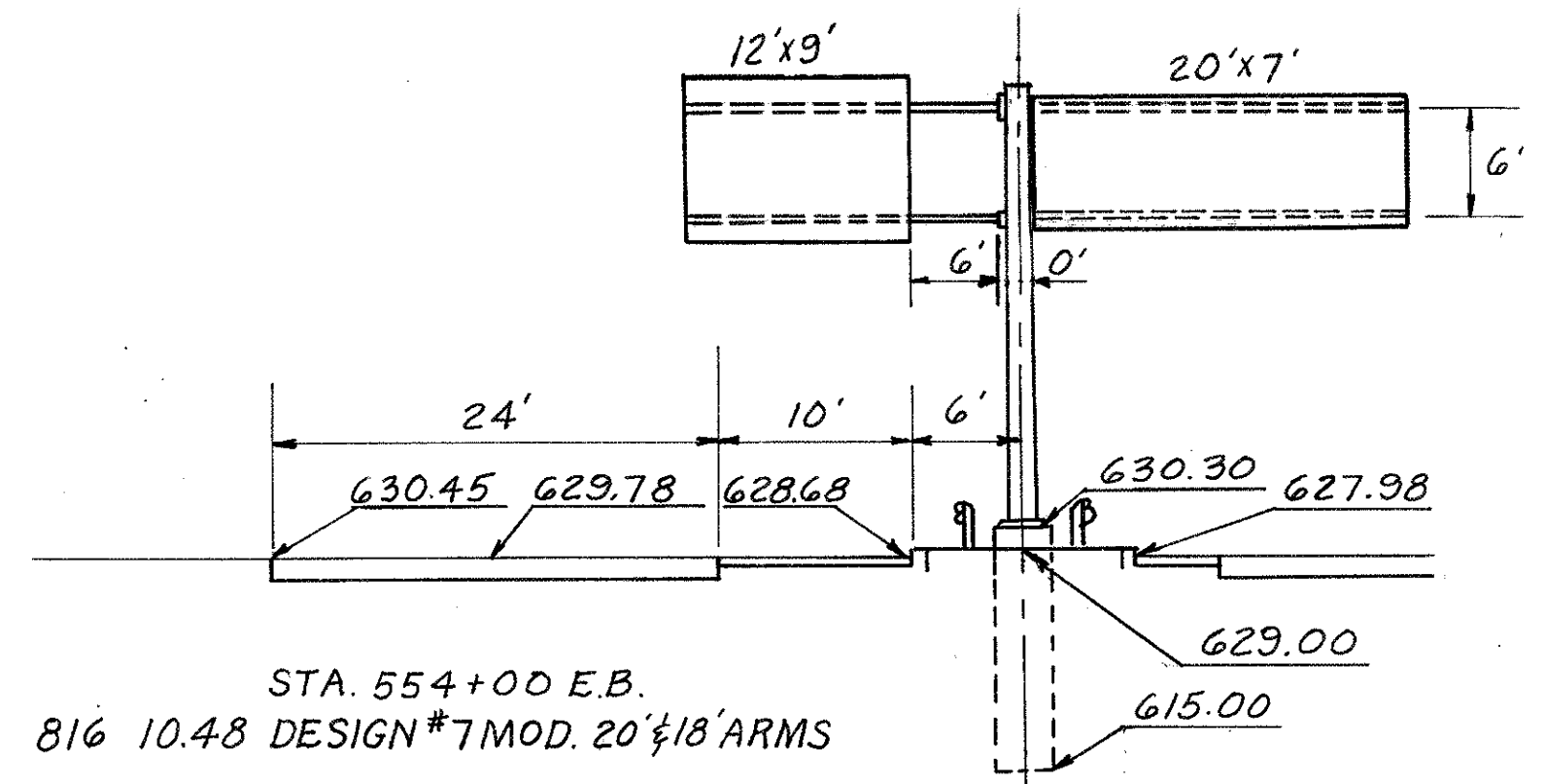


STA. 691+79 W.B.
816 10.48 DESIGN #9 MOD. 26' ARMS

SIGN 16'x12'
BRKT. SPACING - 8 5/8", 75 3/8", 50", 49 3/8", 8 5/8"
No. OF BRKTS. - 4, TYPE - Ys, HT. - 12'

SIGN 24'x10'
BRKT. SPACING - 7", 75 3/8", 99 3/8", 99 3/8", 6 7/8"
No. OF BRKTS. - 4, TYPE - Ys, HT. - 10'

38

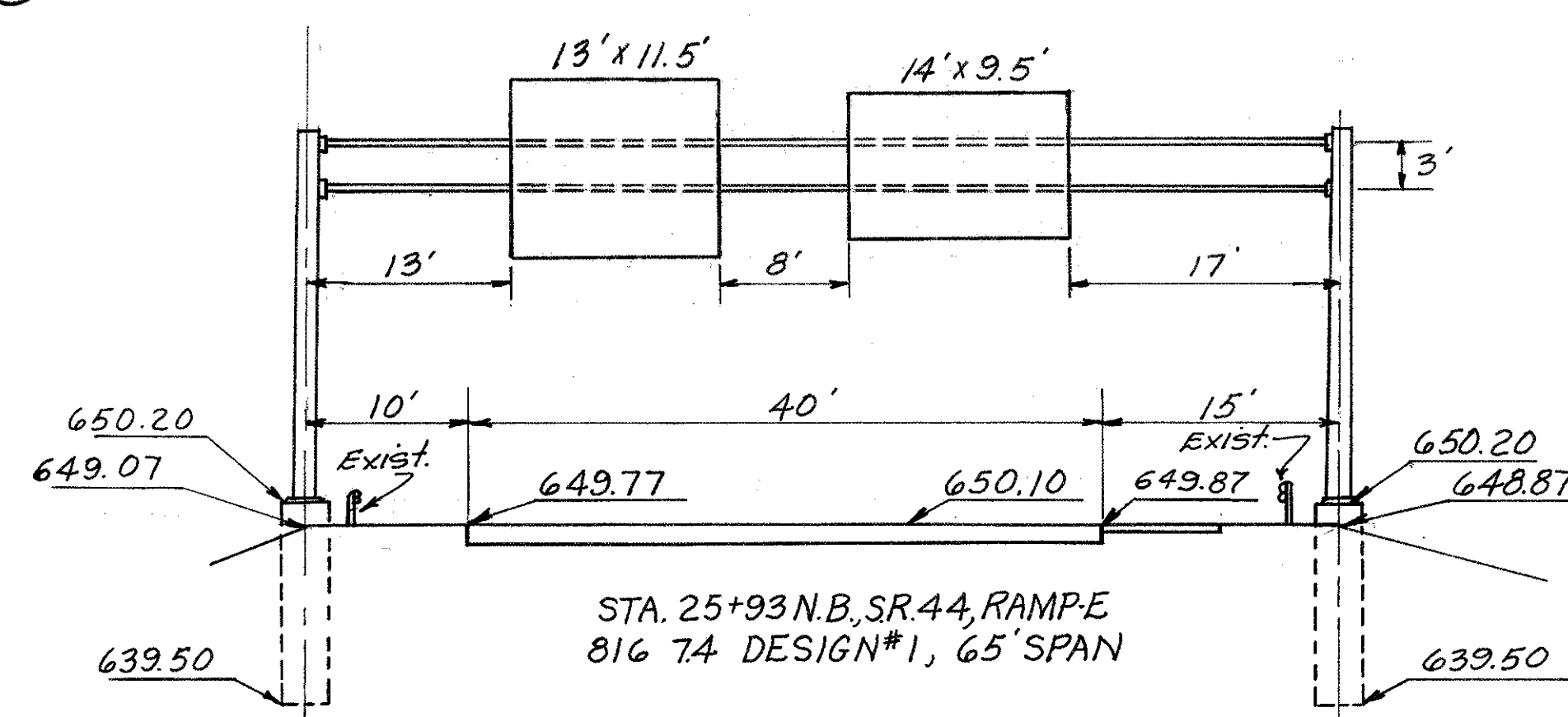


STA. 554+00 E.B.
816 10.48 DESIGN #7 MOD. 20'x18' ARMS

SIGN 12'x9'
BRKT. SPACING - 6", 66", 66", 6"
No. OF BRKTS. - 3, TYPE - Ys, HT. - 9'

SIGN 20'x7'
BRKT. SPACING - 7", 75 3/8", 75 3/8", 75 3/8", 6 7/8"
No. OF BRKTS. - 4, TYPE - Xs, HT. - 7'

41

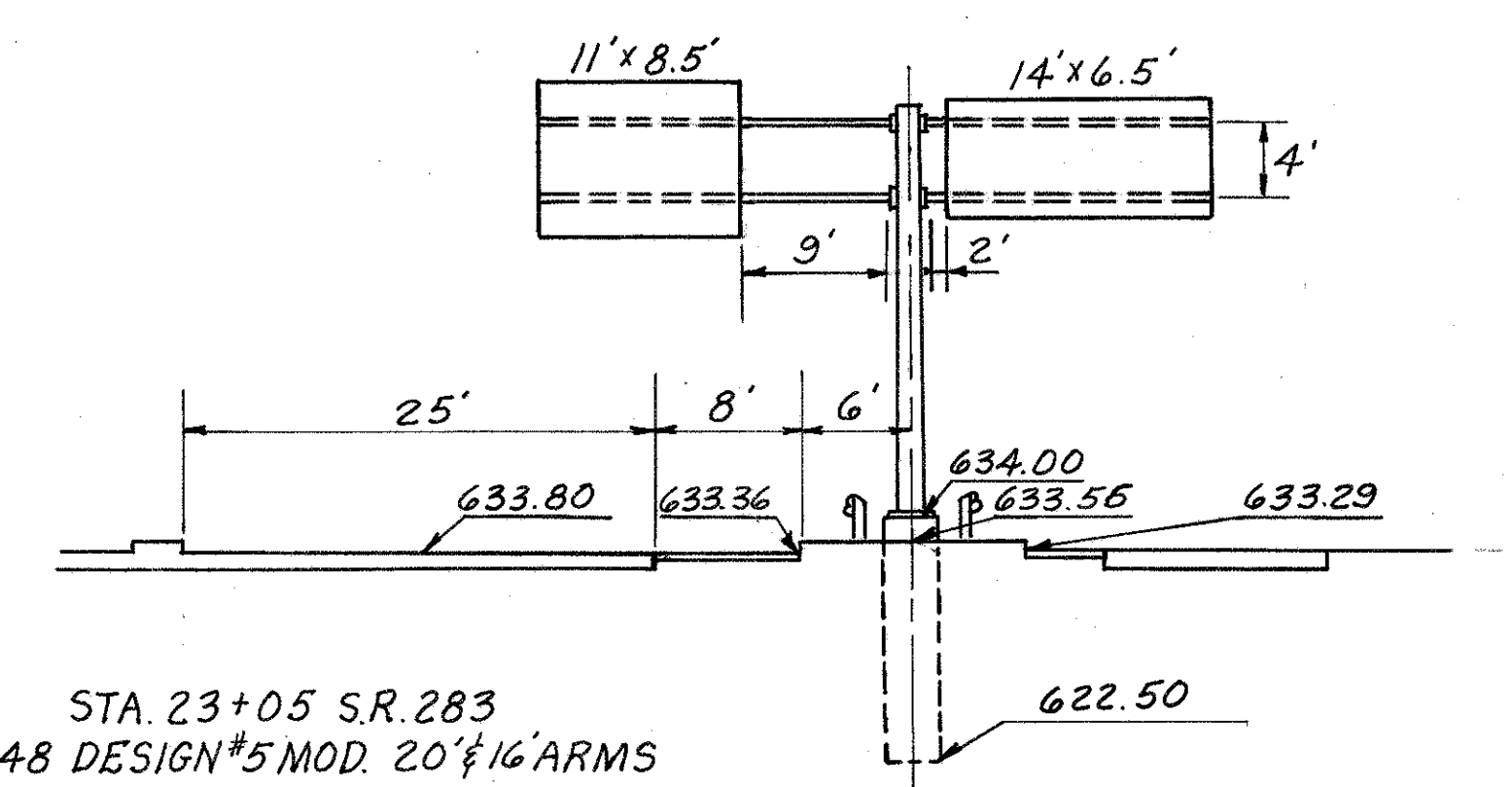


STA. 25+93 N.B. SR. 44, RAMPE
816 7.4 DESIGN #1, 65' SPAN

SIGN 13'x11.5'
BRKT. SPACING - 6", 36", 36", 36", 36", 6"
No. OF BRKTS. - 5, TYPE - Ya, HT. - 11.5'

SIGN 14'x9.5'
BRKT. SPACING - 8 5/8", 75 3/8", 75 3/8", 8 5/8"
No. OF BRKTS. - 3, TYPE - Ya, HT. - 9.5'

44



STA. 23+05 S.R. 283
816 10.48 DESIGN #5 MOD. 20'x16' ARMS

SIGN 11'x8.5'
BRKT. SPACING - 16 3/8", 50", 49 3/8", 16 1/4"
No. OF BRKTS. - 3, TYPE - Ys, HT. - 8.5'

SIGN 14'x6.5'
BRKT. SPACING - 8 5/8", 75 3/8", 75 3/8", 8 5/8"
No. OF BRKTS. - 3, TYPE - Ys, HT. - 6.5'