

LAK-2-0.02

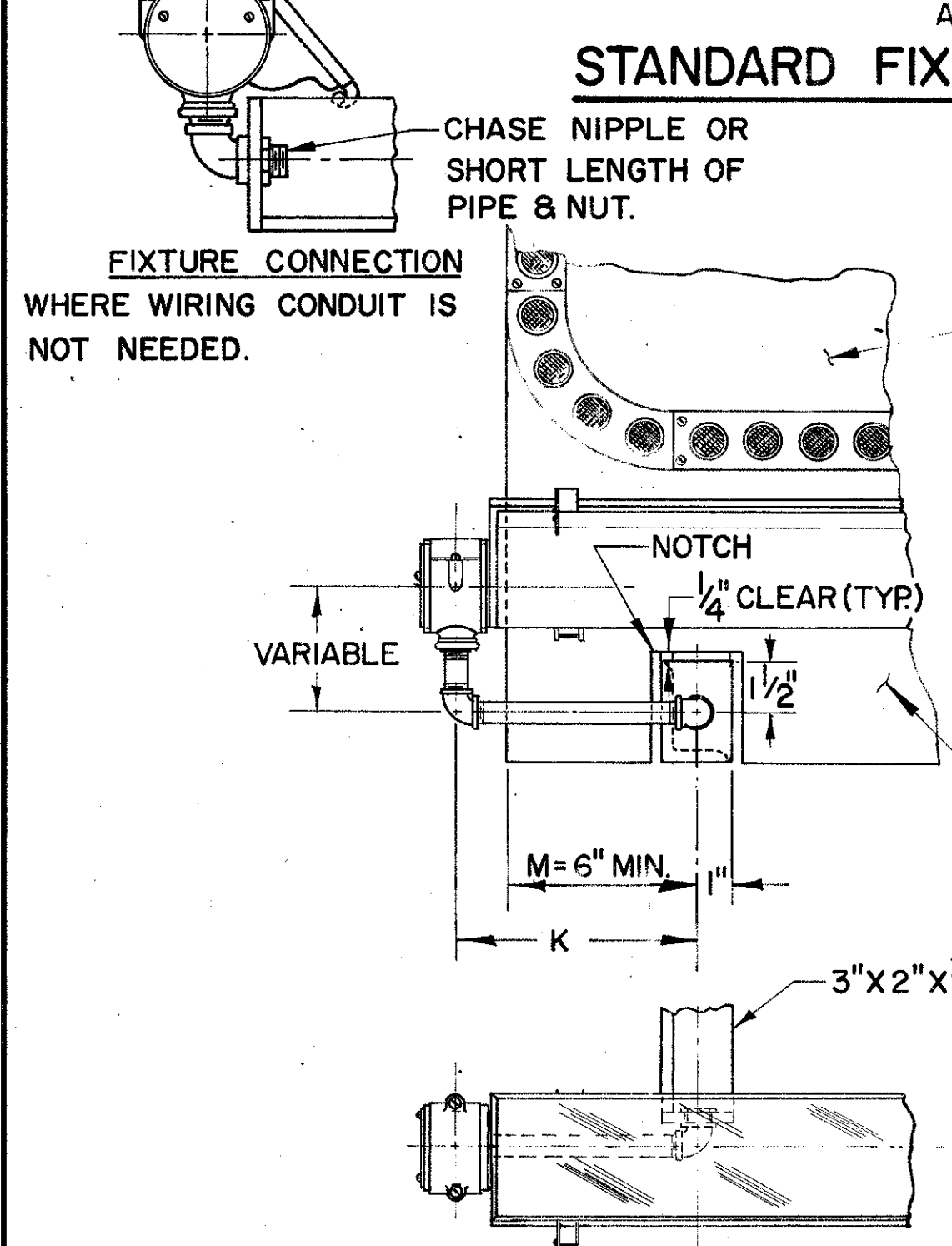
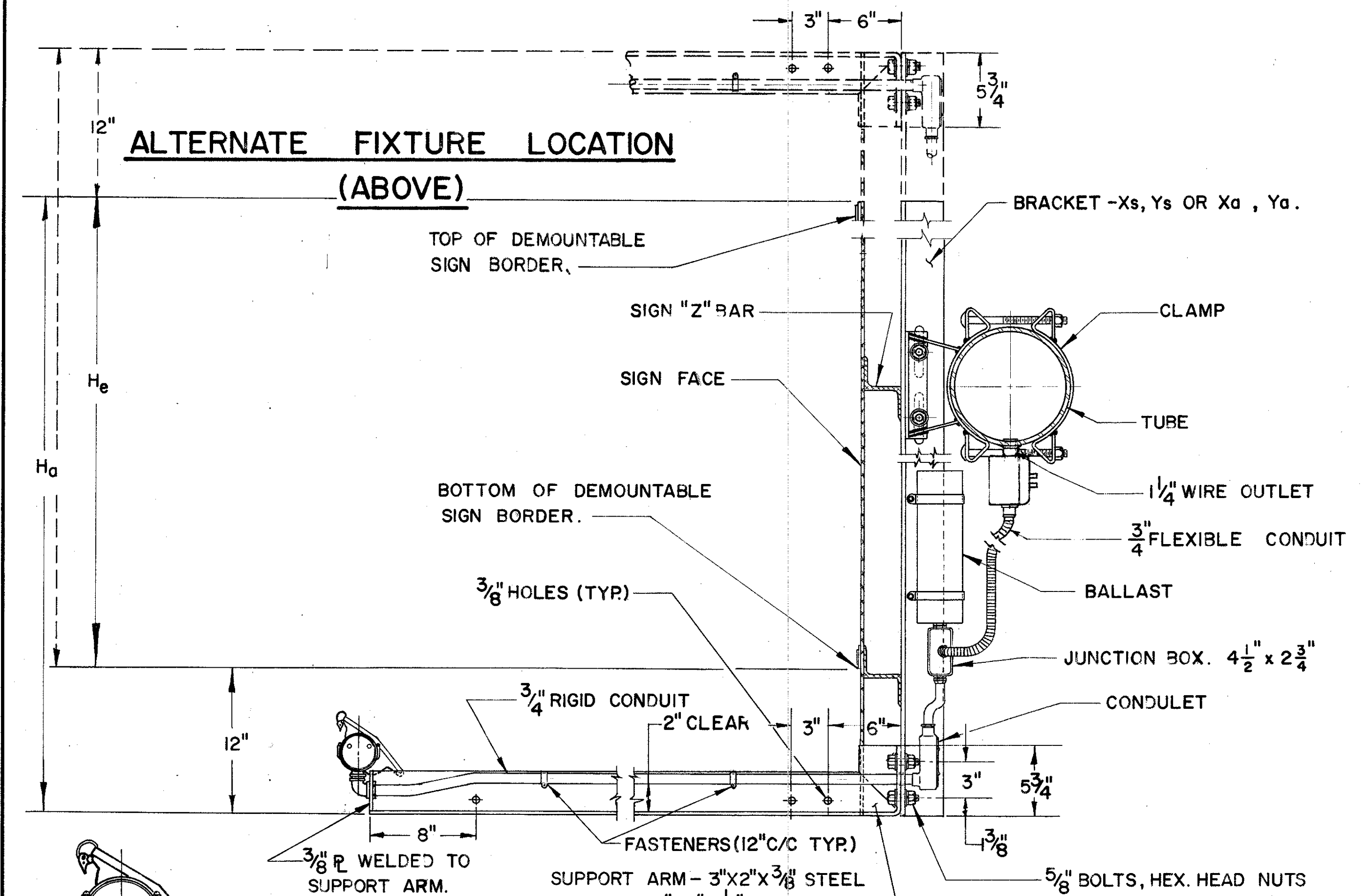
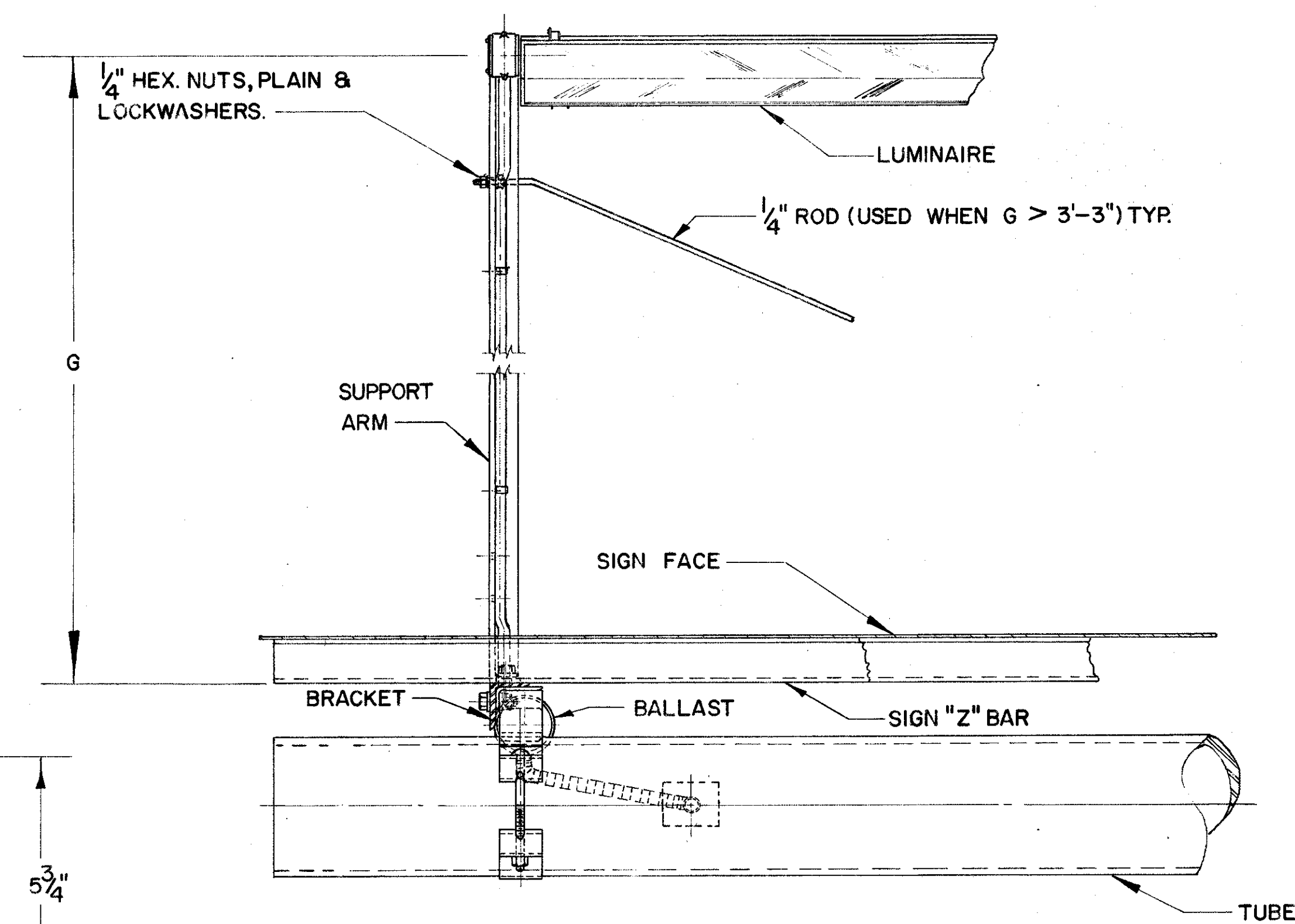
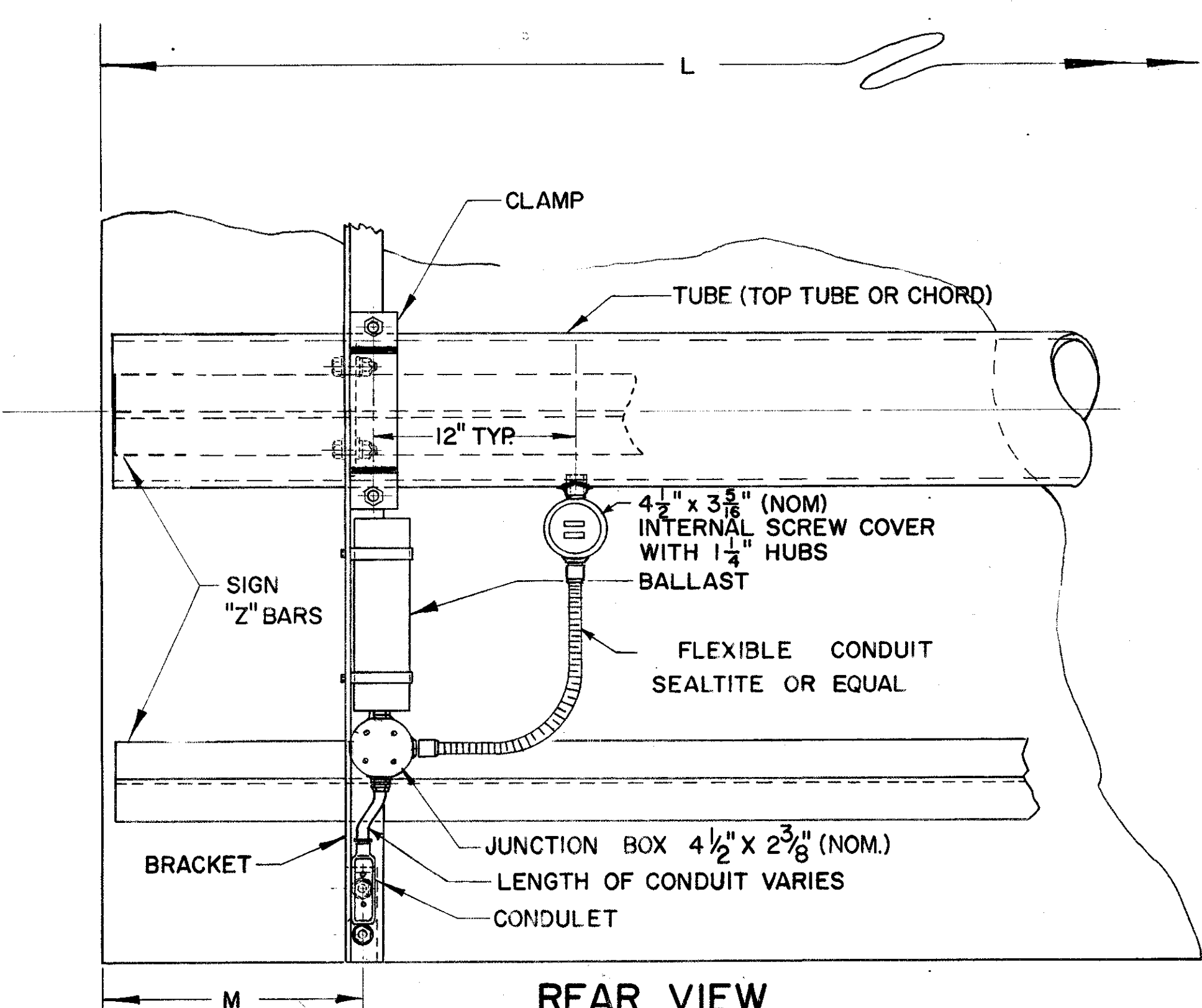
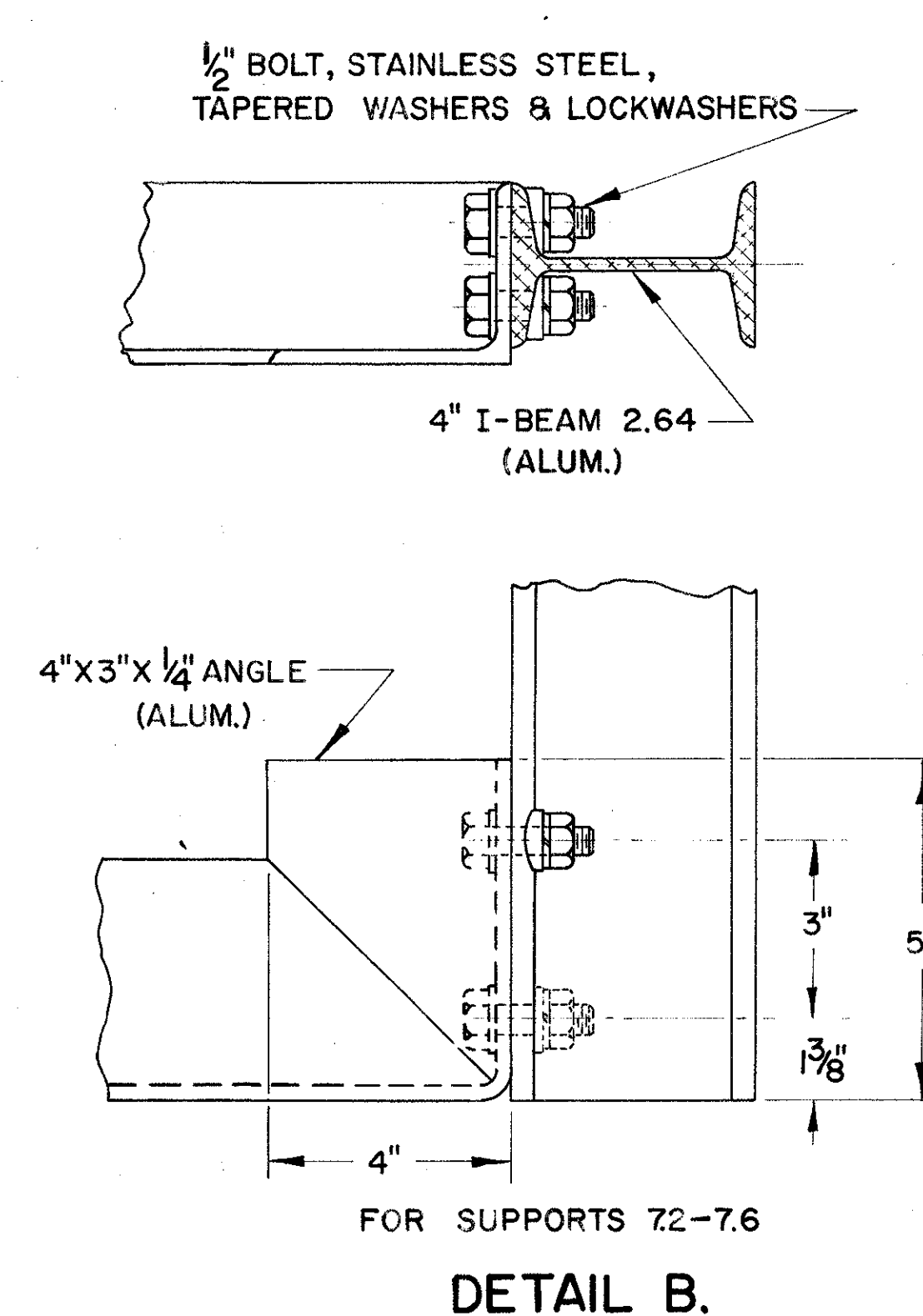


TABLE III.

L	K
6'-0"	7 11/16"
7'-0"	1 11/16"
12'-0"	9 3/8"
13'-0"	3 3/8"



FABRICATION — ALL STRUCTURAL COMPONENTS SHOWN ON THIS SHEET SHALL CONFORM TO SUPPLEMENT SPECIFICATIONS 816

MATERIALS — THE MATERIALS USED IN THE COMPONENTS SHOWN ON THIS SHEET SHALL BE IN CONFORMANCE WITH THE MATERIALS USED IN THE SIGN SUPPORT.

TABLE I.

"L" SIGN LENGTH	FIXTURES OF NUMBER	"M" EDGE DISTANCE				NO BALLAST	Sn=Nominal Fixture Length, 72" & 96" respectively. Sa=Actual Fixture Length, for mounting purposes, 75 3/8" and 99 3/8" respectively. (Slight variation for different manufacturers.) M= Distance from edge of sign to center of notch, min. 6". When the length of the sign minus 1'-0" is less than the sum of the actual fixture lengths, an offset "K" is used. For additional details see detail A and table III.	
		A	B	LT.	RT.			
6'-0"	7'-0"	1	6"	6"	6"	6"	1	
8'-0"	9'-0"	1	10 3/8"	10 1/4"	16 3/8"	16 1/4"	1	
10'-0"	11'-0"	1	10 3/8"	10 1/4"	16 3/8"	16 1/4"	1	
12'-0"	13'-0"	2	6"	6"	6"	6"	1	
14'-0"	15'-0"	2	8 5/8"	8 5/8"	14 5/8"	14 5/8"	1	
16'-0"	17'-0"	1	8 5/8"	8 5/8"	14 5/8"	14 5/8"	1	
18'-0"	19'-0"	2	8 5/8"	8 5/8"	14 5/8"	14 5/8"	1	
20'-0"	21'-0"	3	7"	6 7/8"	13"	12 7/8"	2	
22'-0"	23'-0"	2	7"	6 7/8"	13"	12 7/8"	2	
24'-0"	25'-0"	1	2	7"	6 7/8"	13"	12 7/8"	2
26'-0"	27'-0"	3	7"	6 7/8"	13"	12 7/8"	2	

TABLE II.

MAX. BRACKET SPACING FOR EXTERNALLY ILLUMINATED SIGNS

ACTUAL SIGN HEIGHT "Ha"	SUPPORT TYPES			
	9,12, 11,08, 13,2, 7,2		9,24,10,48,12,24,14,5,15,8, 7,2 to 7,6	
	SINGLE TUBE		DOUBLE TUBE	
		C/C 36"-42"	C/C 48"-54"	C/C 60"-72"
		MAXIMUM BRACKET SPACING		
to 5'-0"	6'-4" with X 8'-4" with Y	8'-4" with X	8'-4" with X	8'-4" with X
5'-6" to 8'-0"	6'-4" with Y	4'-2" with X 6'-4" with Y	6'-4" with X 8'-4" with Y	8'-4" with X
8'-6" to 10'-0"	3'-2" with X 4'-2" with Y	6'-4" with Y	6'-4" with Y	8'-4" with Y
10'-6" to 12'-0"		4'-2" with Y	6'-4" with Y	6'-4" with Y
12'-6" to 14'-0"		3'-2" with Y	3'-2" with Y	4'-2" with Y

Ha= ACTUAL SIGN HEIGHT
He= EFFECTIVE SIGN HEIGHT

BRACKET SIZE: Xs=3 1/2" x 2 1/2" x 5/16" - L @ 6.1 LB. STEEL } 9,12,10,48,11,08,
Ys=4" x 3 1/8" x 1/4" - Z @ 8.2 LB. STEEL } 12,24,14,5 & 15,8
Xa= 3" x 2 1/16" x 1/4" - Z @ 2.33 LB. ALUM. } 7,2 Thru 7,6
Ya= 4" x 2 2 1/32" x 3/16" - I @ 2.64 LB. ALUM.

WHEN MAX. ALLOWABLE SPACING IS LESS THAN ACTUAL FIXTURE LENGTHS, Sa, ADDITIONAL STANDARD BRACKETS MUST BE FURNISHED, EQUAL IN HEIGHT TO "Ha".

SUPPORTS 7.2 THROUGH 7.6 SHALL HAVE AN ALUMINUM FIXTURE ARM, 4"x3"x1/4" ANGLE. SEE DETAIL B. BOLTS AND ACCESSORIES SHALL BE STAINLESS STEEL.

BUREAU OF TRAFFIC
OHIO DEPARTMENT OF HIGHWAYS

STRUCTURAL DETAILS FOR EXTERNALLY ILLUMINATED SIGNS	EI-1	DATE 10-16-63 5-6-64 10-29-64
		APPROVED <i>Frederic C. Falber</i> ENGINEER OF TRAFFIC