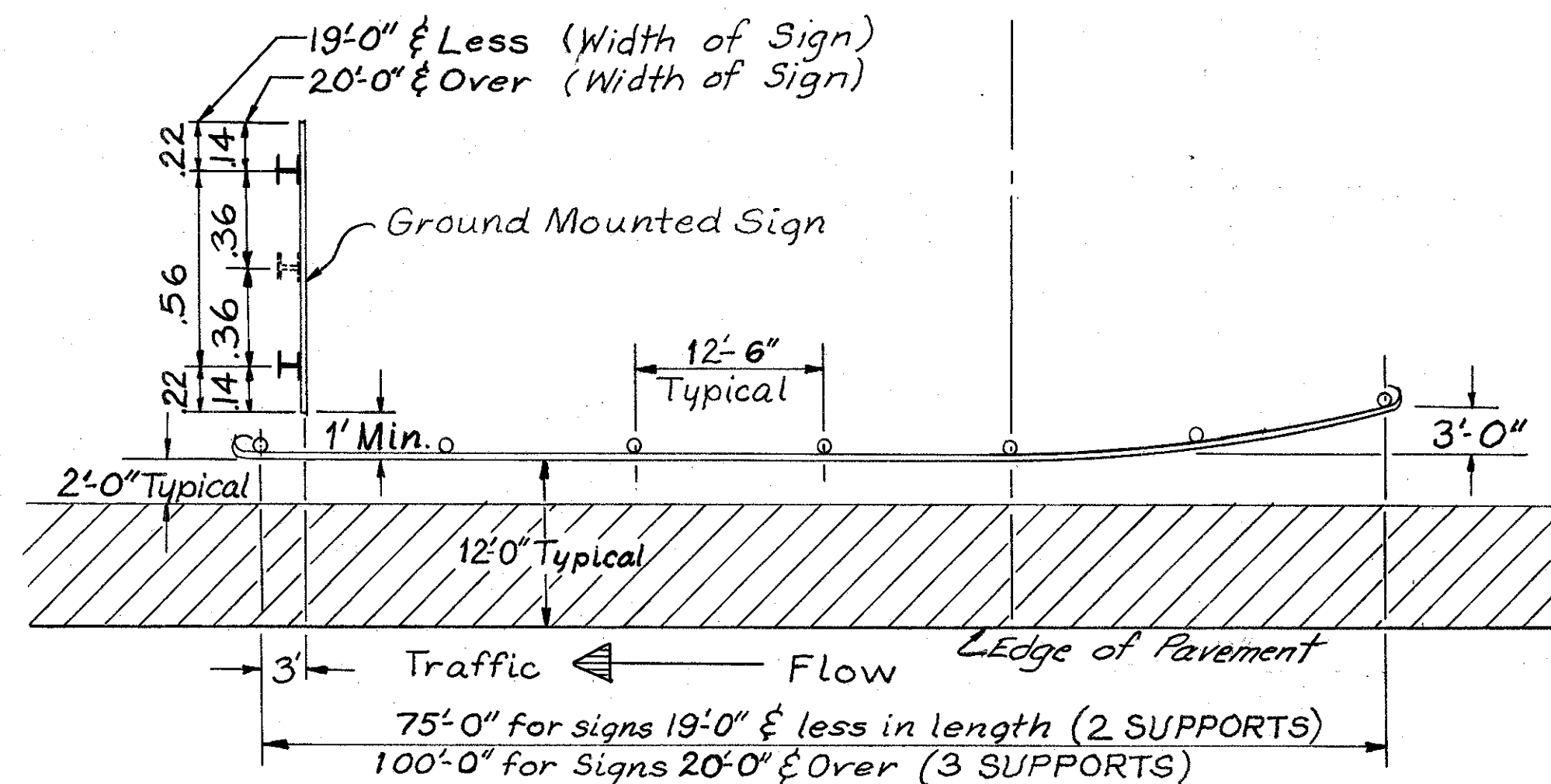
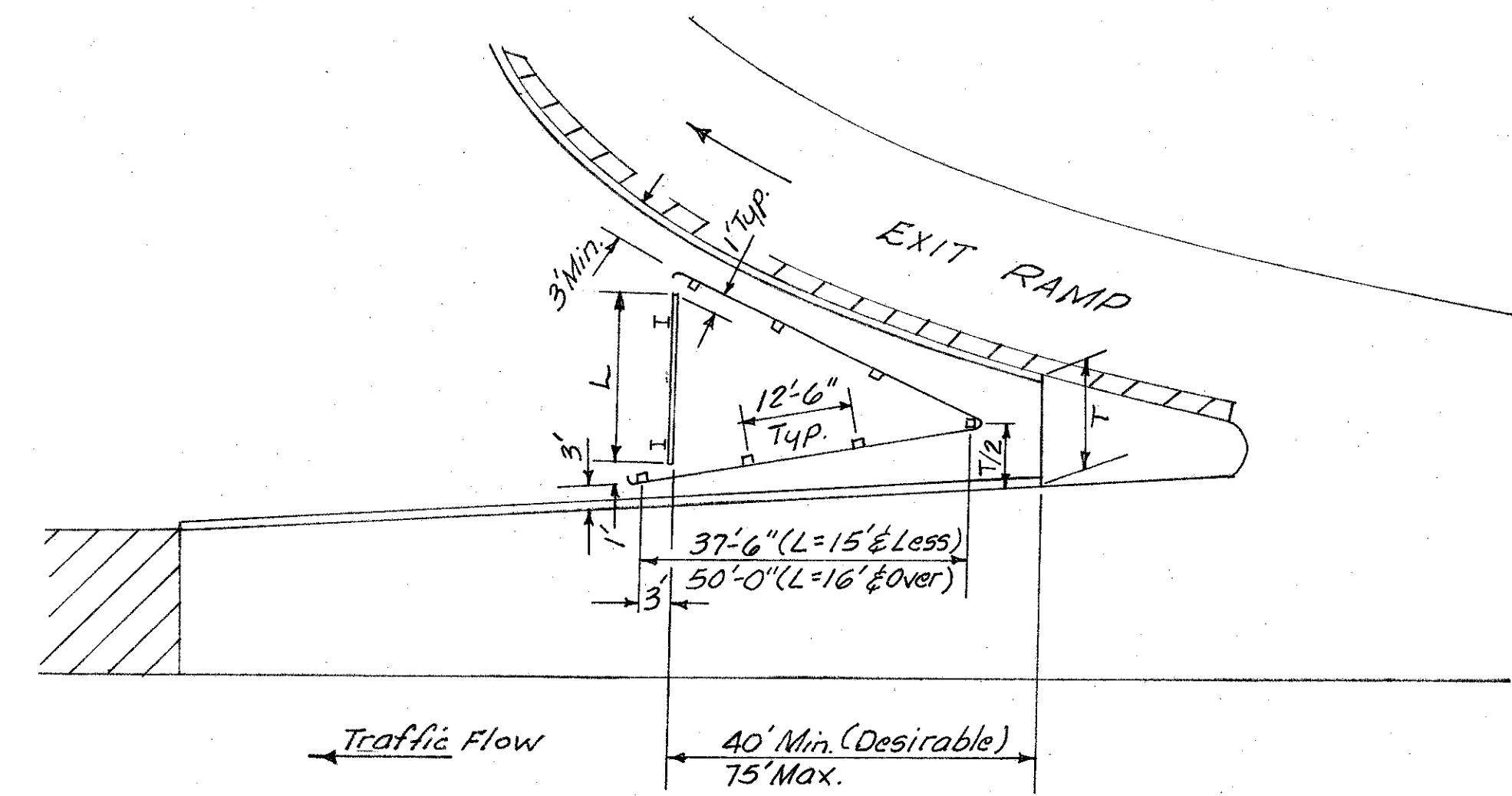


LAK-2-002

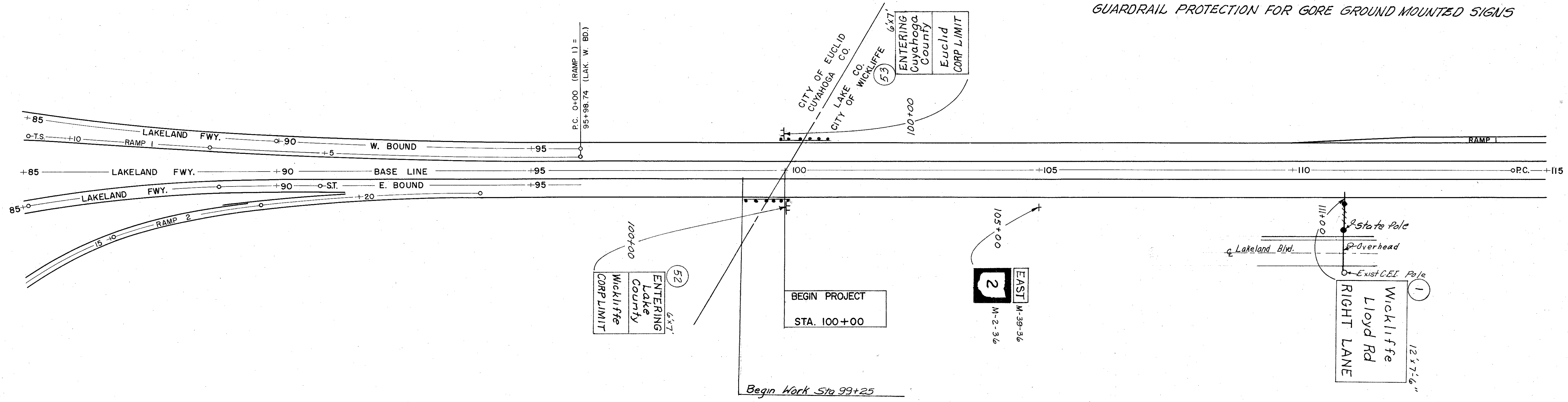
SYMBOLS
 Proposed Pull Box ■
 Proposed Cable Duct ———
 Proposed 2" Conduit + + + +



GUARDRAIL PROTECTION FOR GROUND MOUNTED SIGNS



GUARDRAIL PROTECTION FOR GORE GROUND MOUNTED SIGNS



Note: Quantities carried to General Summary from sheets 10, 53, 54