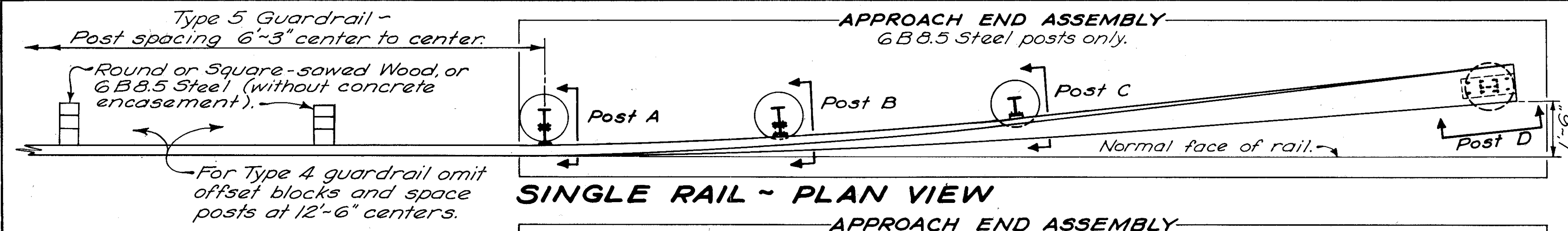


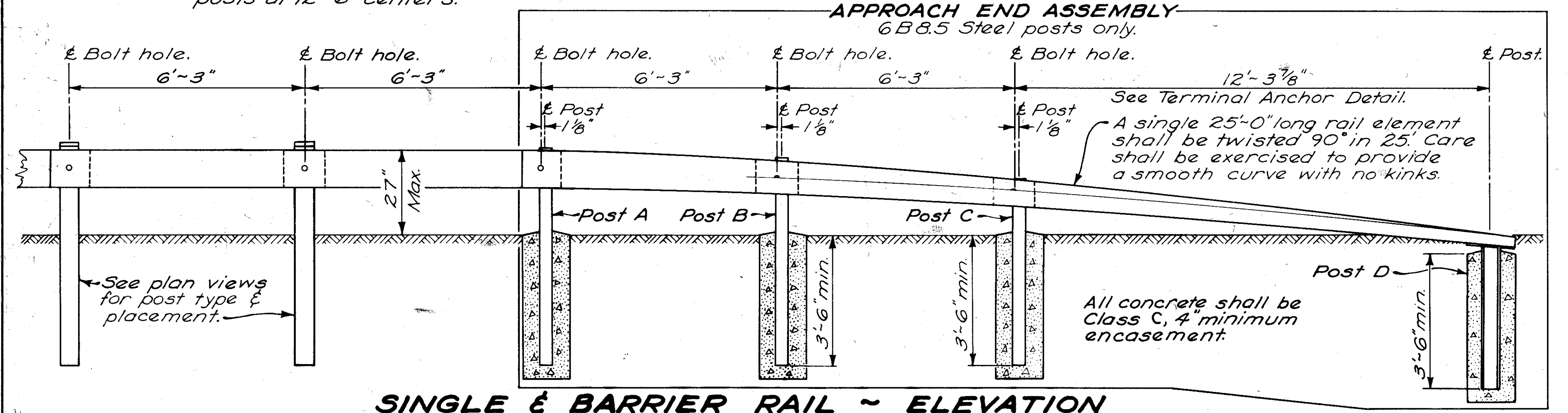
NOTES

For details not shown, see Standard Drawings GR-2A and GR-2B.
 All steel parts shall be galvanized in accordance with ASTM A123, A153 or A525, whichever may apply.
 This drawing shall govern where a conflict arises.

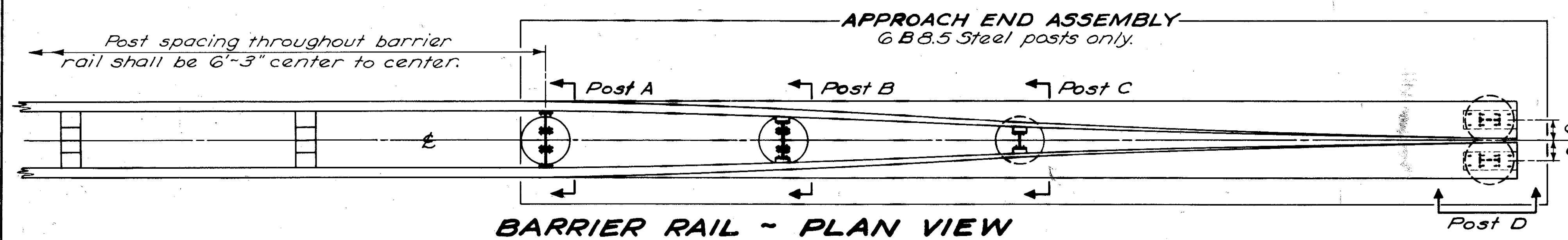
LAK-2-0.01



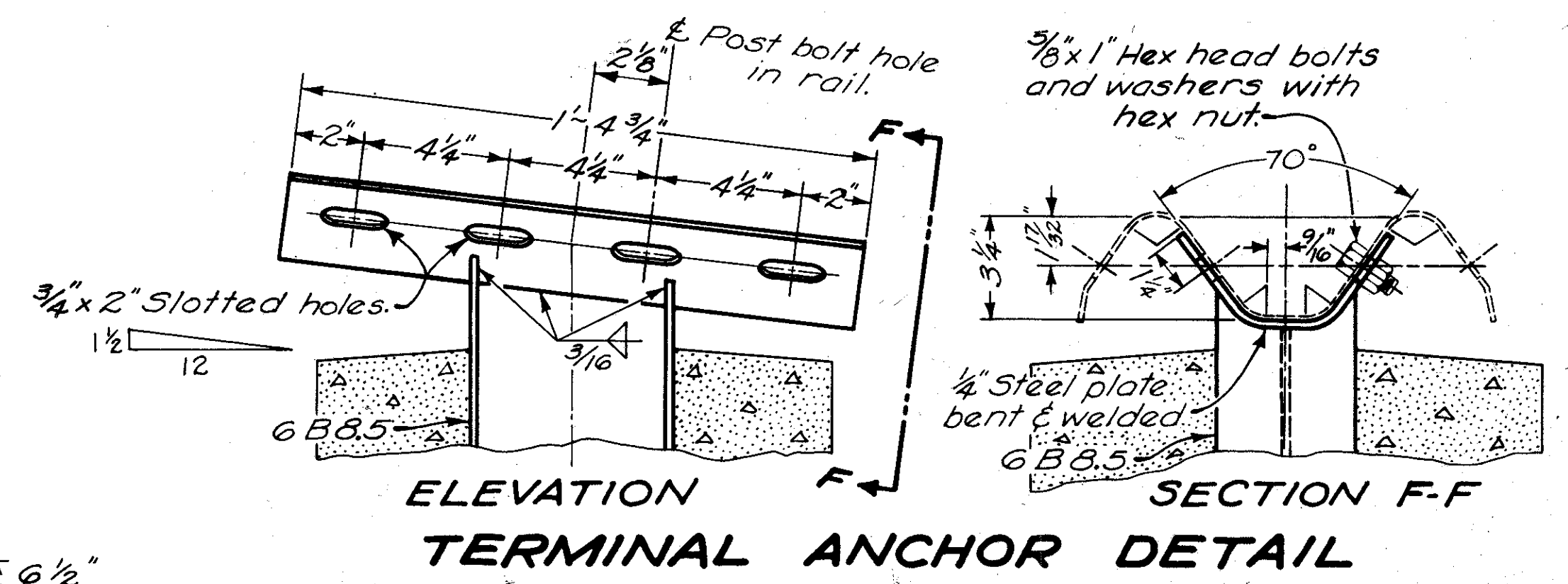
SINGLE RAIL - PLAN VIEW



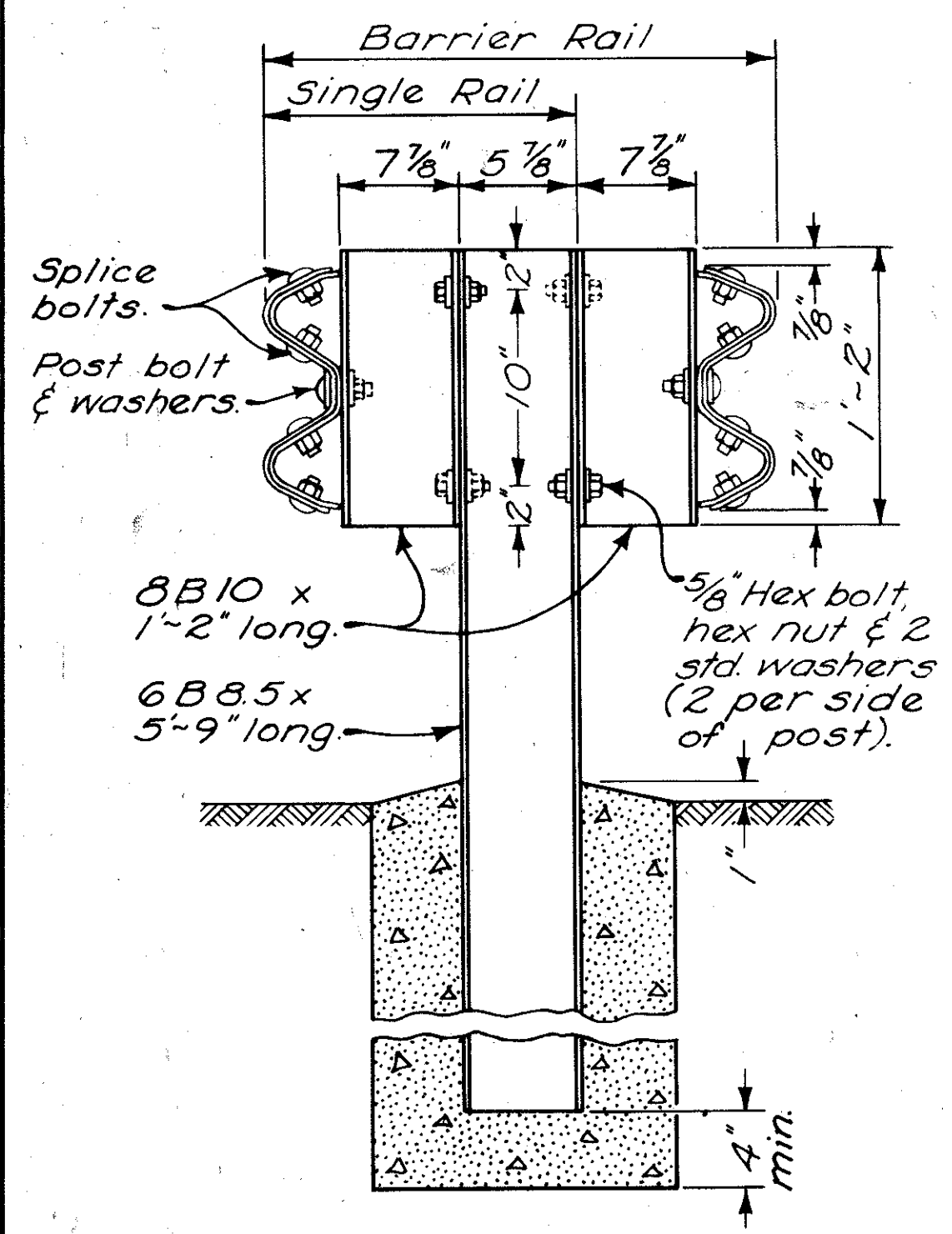
SINGLE & BARRIER RAIL - ELEVATION



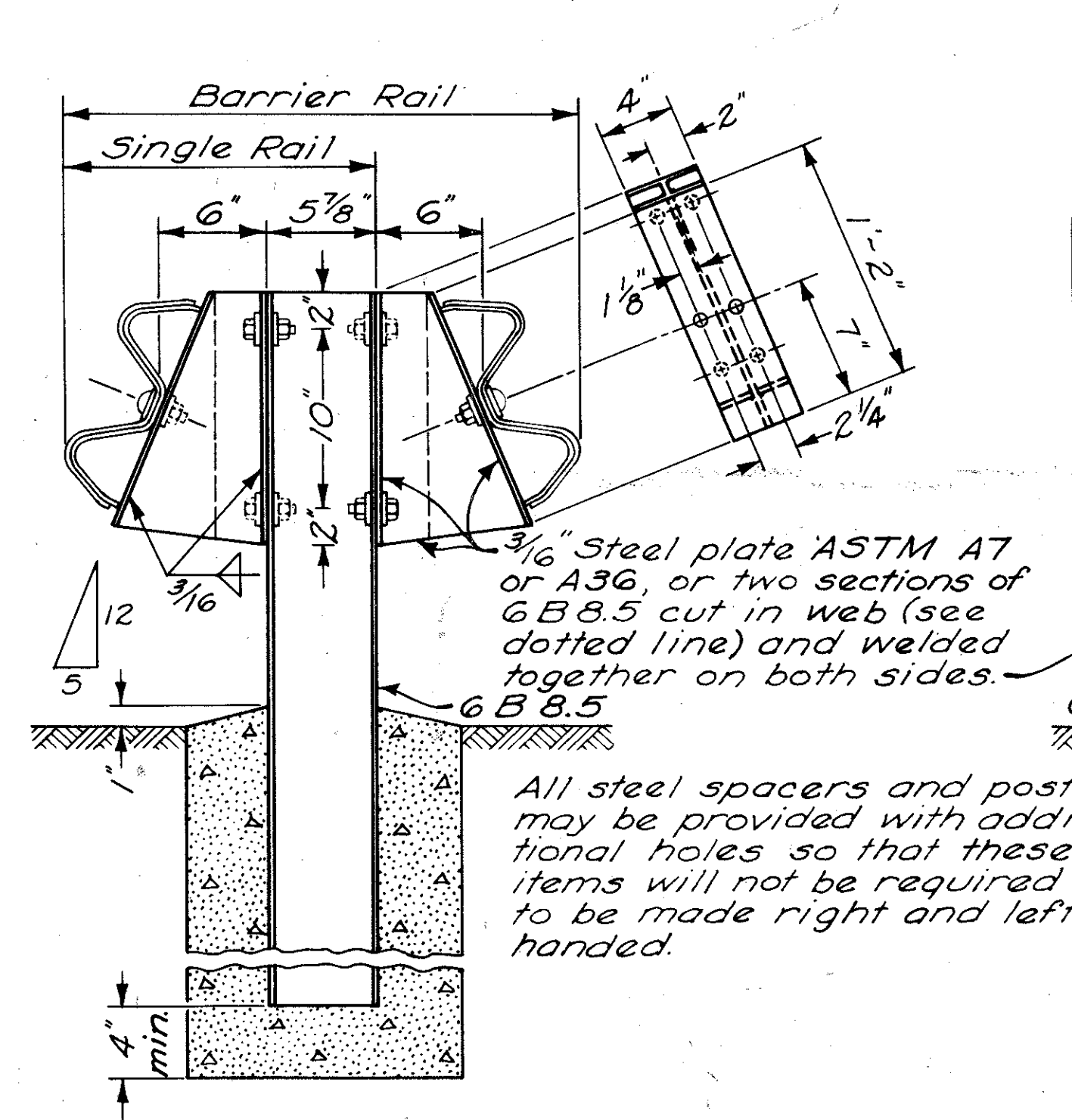
BARRIER RAIL - PLAN VIEW



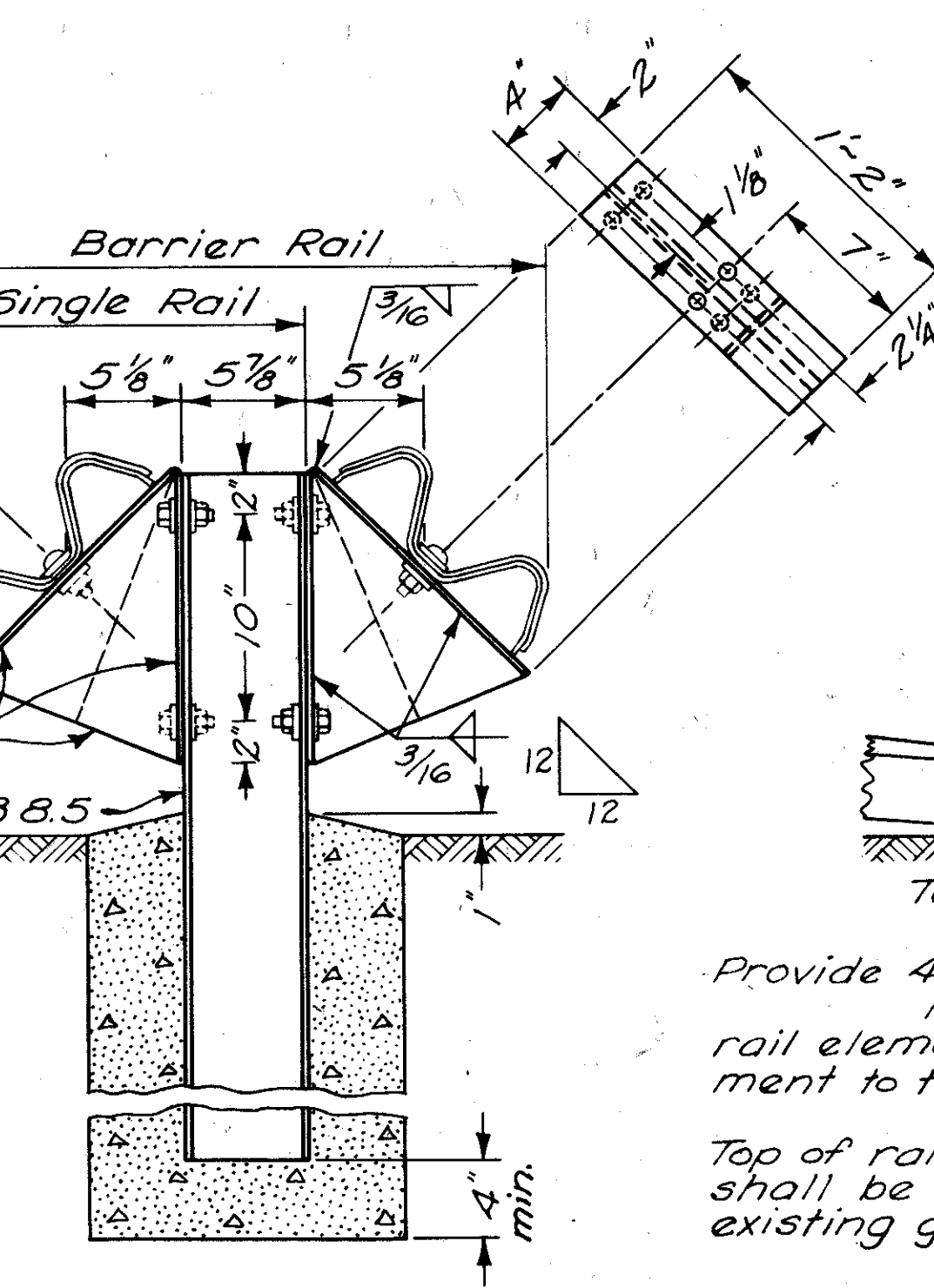
ELEVATION SECTION F-F TERMINAL ANCHOR DETAIL



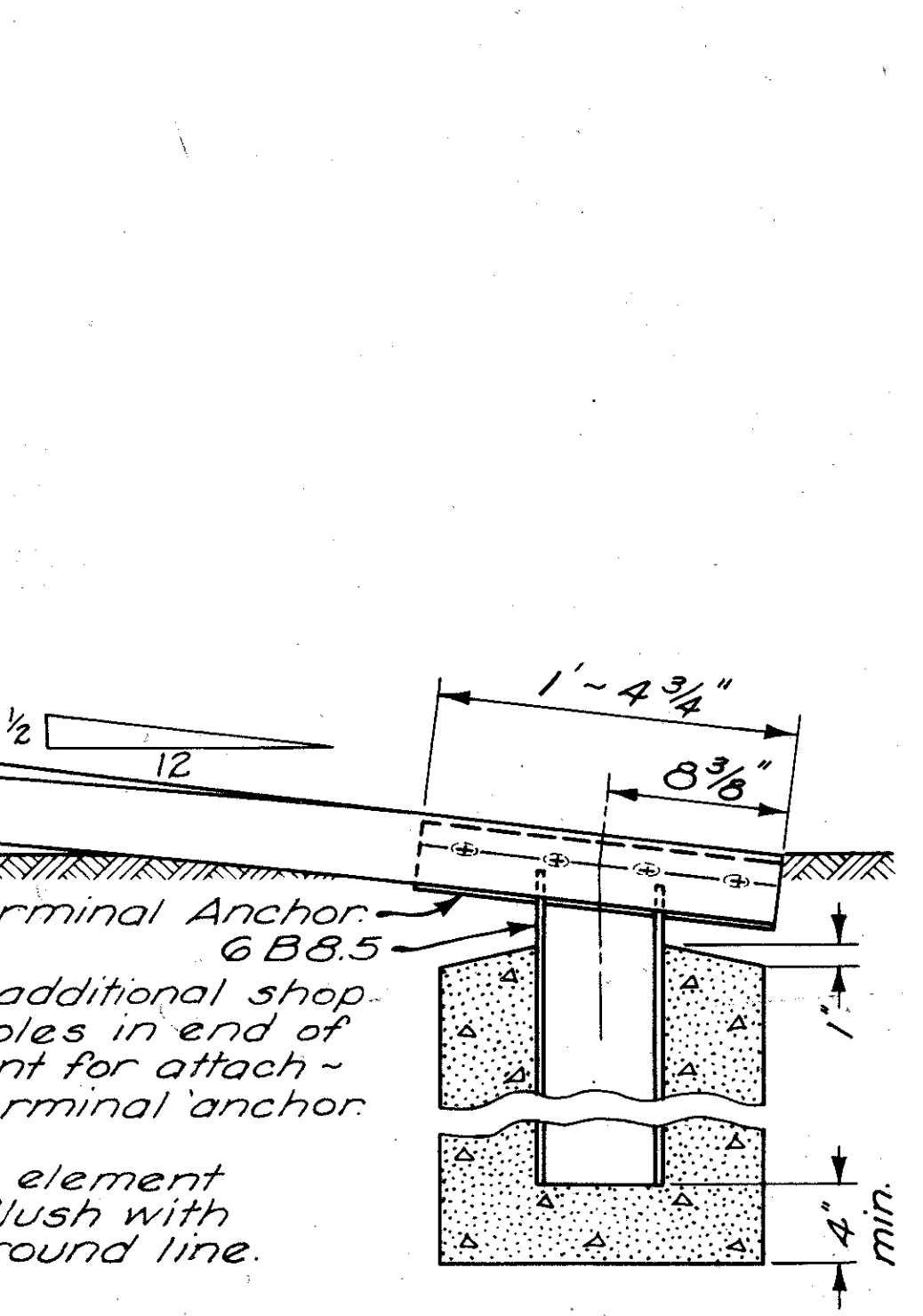
POST A



POST B



POST C



POST D

Provide 4 additional shop holes in end of rail element for attachment to terminal anchor.
 Top of rail element shall be flush with existing ground line.