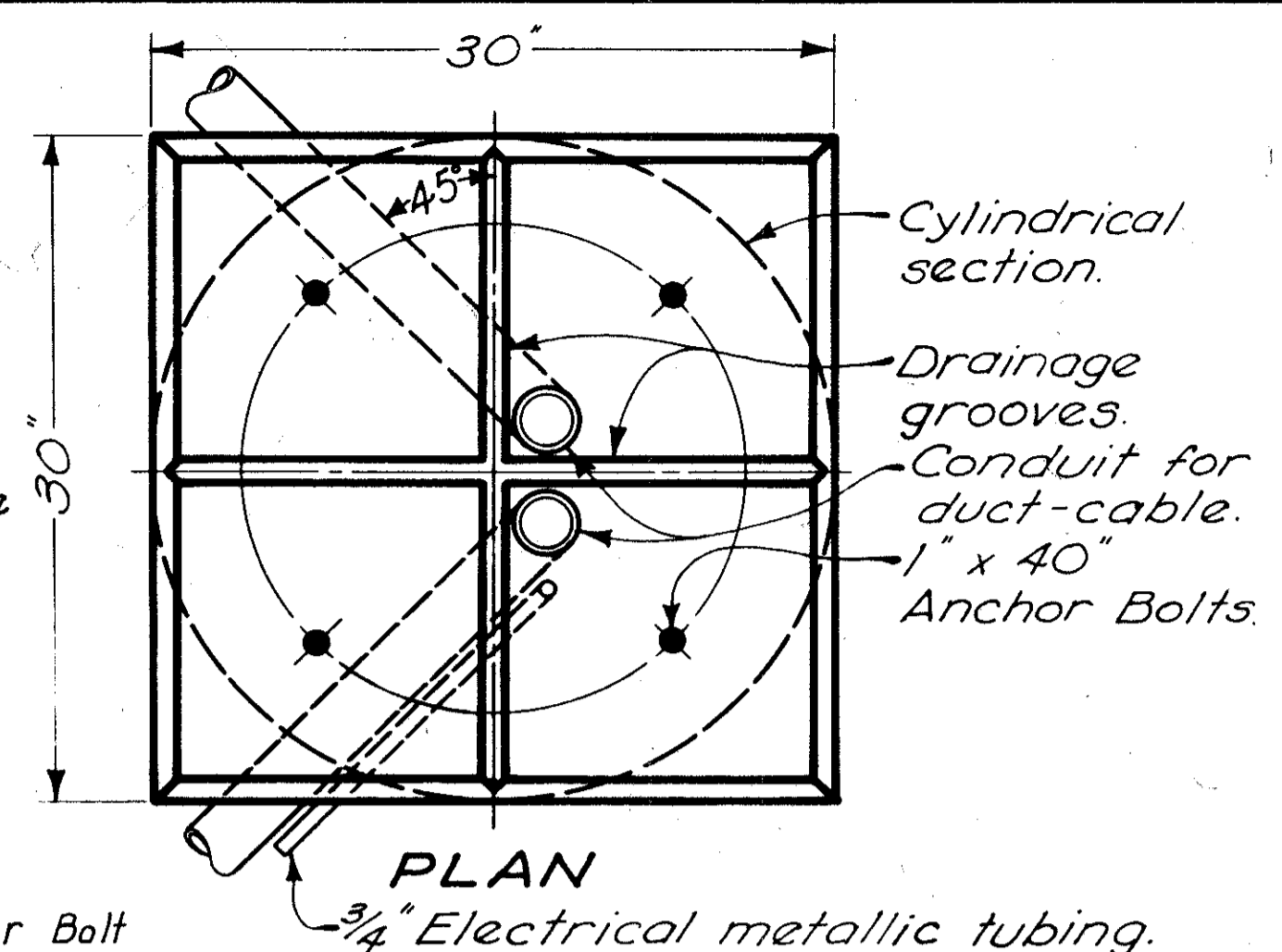
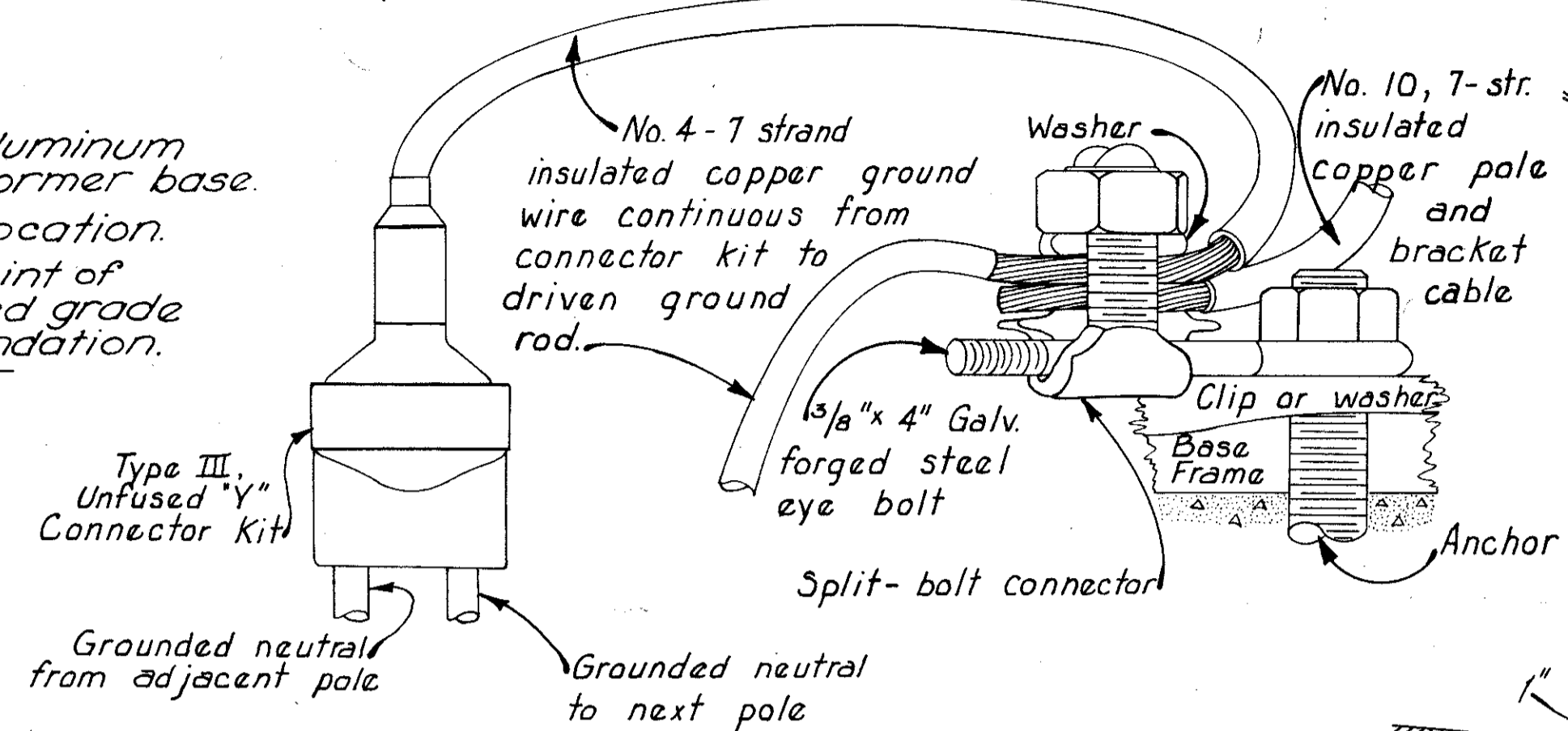
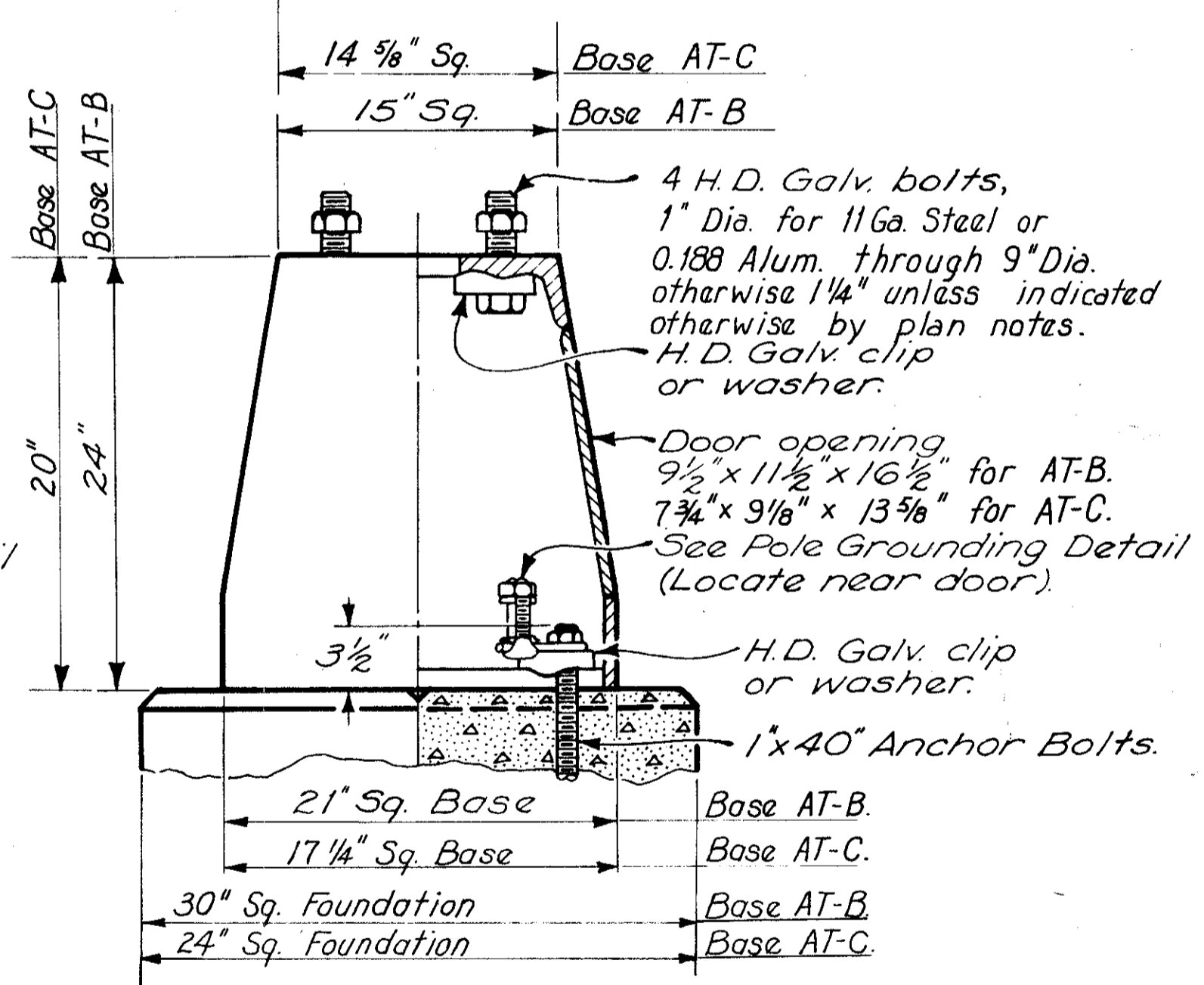
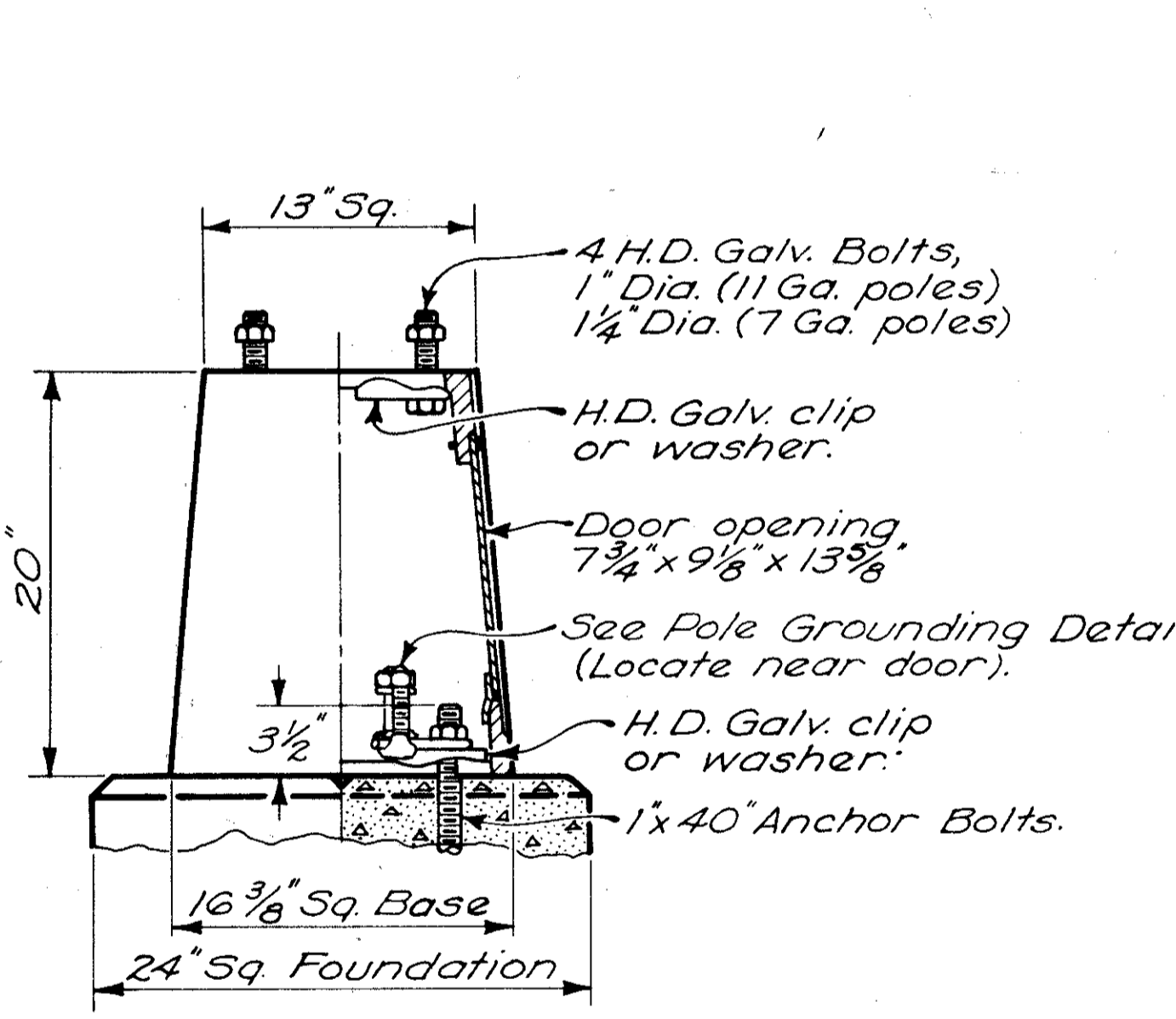


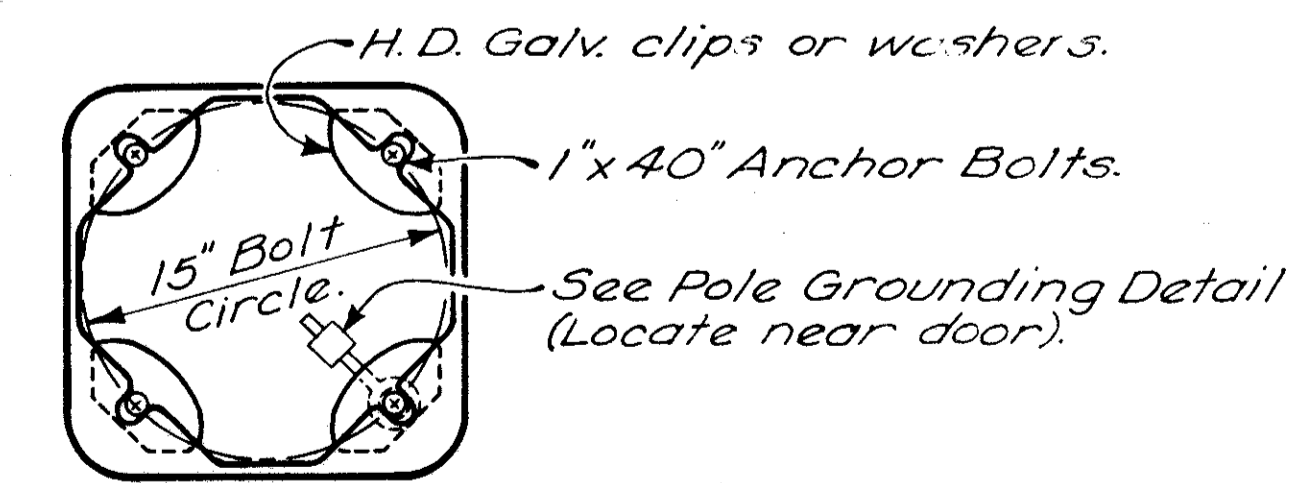
NOTE: Split-bolt Connector shall be made of tin plated copper alloy with tin plated spacer. Acceptable models are: Blackburn #10HPS, Burndy #KSU-25, Line Material #DK-5B-10, Kearney #118109-02 or an approved equal.



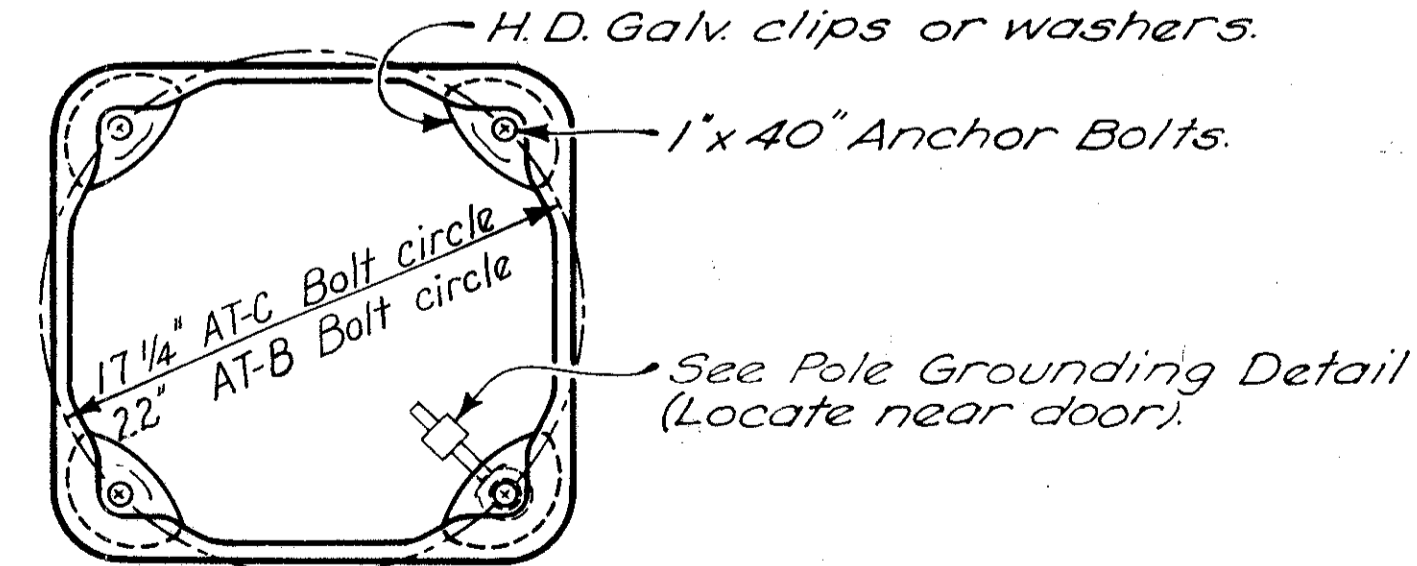
LOCATION OF POLE WITH OR WITHOUT ALUMINUM TRANSFORMER BASES
(Supersedes "Location of Light Pole Foundation" shown on Standard Drawing HL-1).



ELEVATION

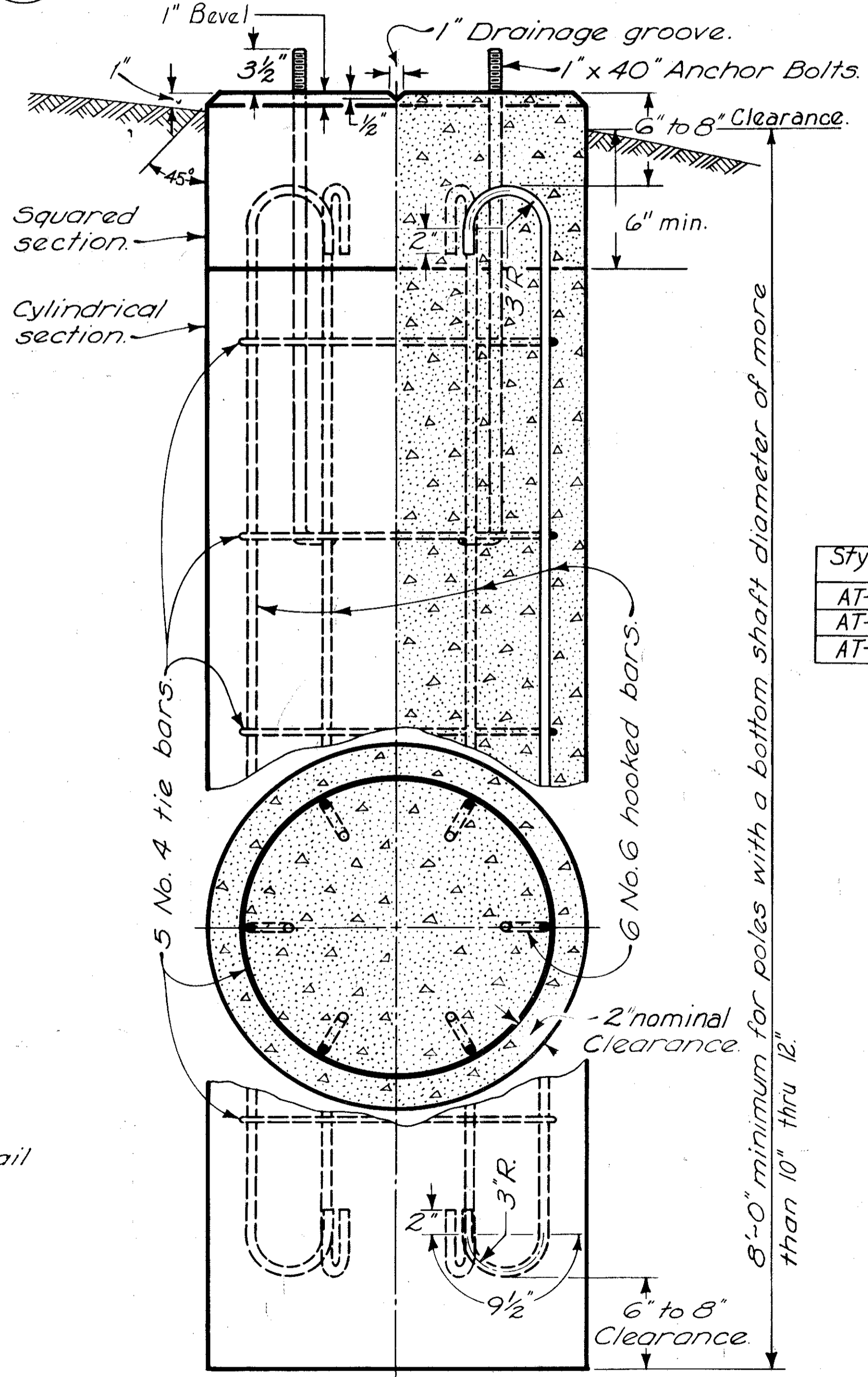


BASE FRAME
BASE AT-A



BASE FRAME
BASES AT-B AND AT-C

CAST ALUMINUM TRANSFORMER BASES



ELEVATION
30" FOUNDATION

NOTES

FOUNDATION: Foundations for light poles shall be poured-in-place concrete (vibrated and spaded 511.09). Each foundation must meet minimum depths as specified, but additional depth may be required by the Engineer because of existing soil conditions. The 30" foundation (detailed hereon) shall be used for light poles having a bottom shaft diameter of more than 10" through 12". The 24" foundation (detailed on Standard Drawing HL-1) shall be used for all light poles having a bottom shaft diameter of 6.0" through 10". See HL-1 for Foundation depth. Rotate reinforcing bars to clear conduit.

Drainage grooves on foundation top, as detailed hereon, shall be required on all foundations even though they do not appear on Standard Drawing HL-1.

ALUMINUM TRANSFORMER BASES: All bases shall be cast from ASTM B-26 or B-108 Alloy 5G 70A-T6.

Base AT-A shall be used with anchor base poles of 6" through 9.2" dia. inclusive, thru 34" Mtg. Hgt. Base AT-B shall be used for anchor base poles above 10" through 12" diameter. Base AT-C shall be used for anchor base poles with bottom diameter 9" through 10".

The transformer bases shall be capable of resisting the following moments in foot pounds with load applied at a distance of 20' above the top of the base without collapsing or rupturing.

Style	Bolt Circle	Base Height	Moment-Foot Pounds	Arm Length
AT-A	15"	20"	37,000	15' Max.
AT-C	17 1/4"	20"	56,000	10' to 25'
AT-B	22"	24"	52,000	10' to 25'

Both the bottom of the cast steel pole base and the top of the aluminum transformer base shall be coated or painted with a heavy film of zinc rich paint (Federal Specification TT-P-641-Type II) to reduce galvanic action between the two dissimilar metals.

PAYMENT: 30" Light Pole Foundations shall be paid for at the unit price bid per each foundation.

Aluminum base complete with hardware, eye bolt and connector, zinc rich paint, and installation shall be included with ground-mounted poles for payment.

* AT-C Base can be used with 8" or 8 1/2" dia. base poles, if desired, in order to reduce maintenance items.

Revised: 5-16-68
Issued: 11-6-67