

MICROFILMED  
SEP 18 1985

FED. RD. DIVISION	STATE	PROJECT
2	OHIO	

393A  
394

LAK-2-0.00

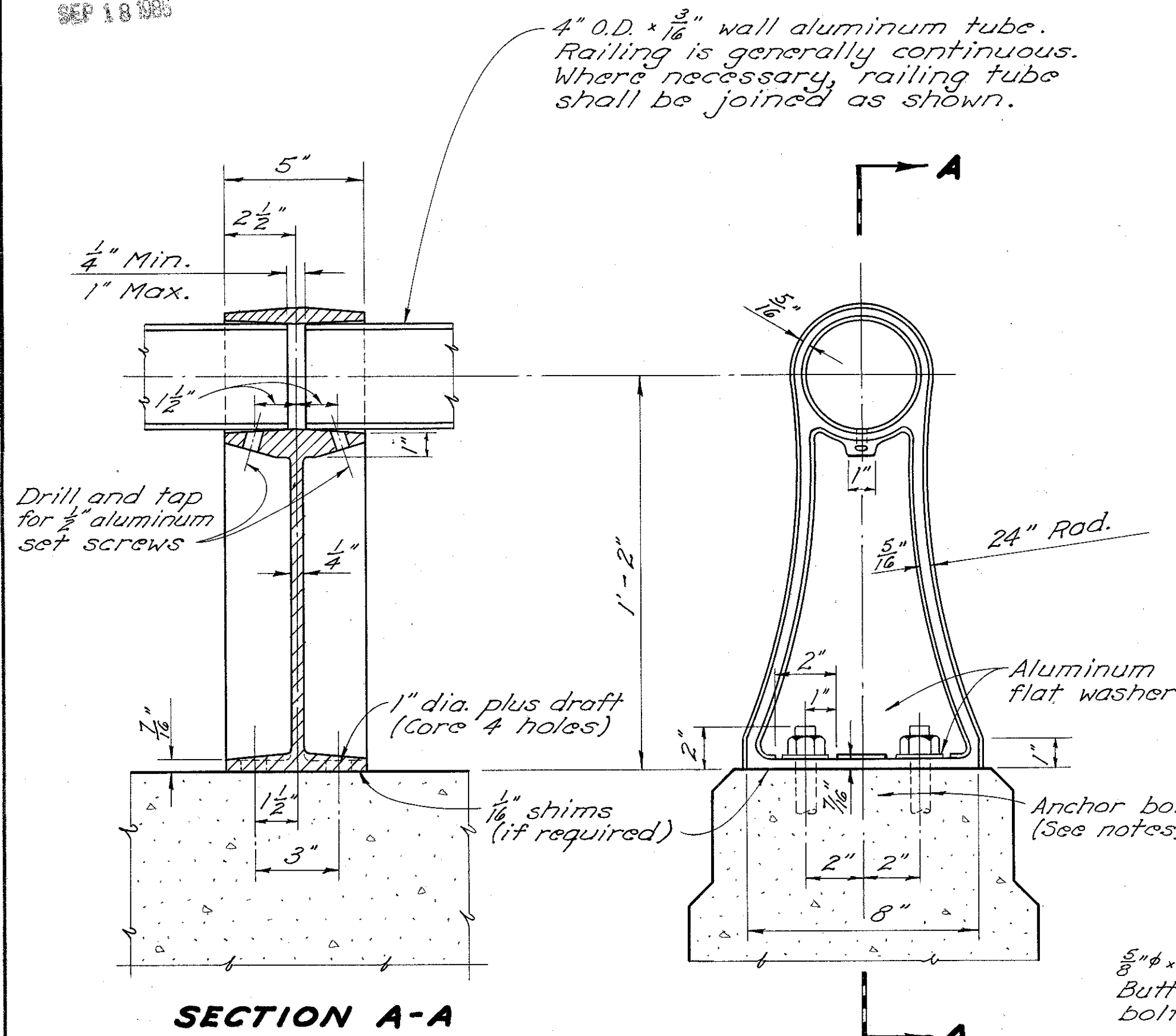
**NOTES**

**FINISH:** The extreme outer surfaces of cast railing posts shall be given a 60 grit finish.

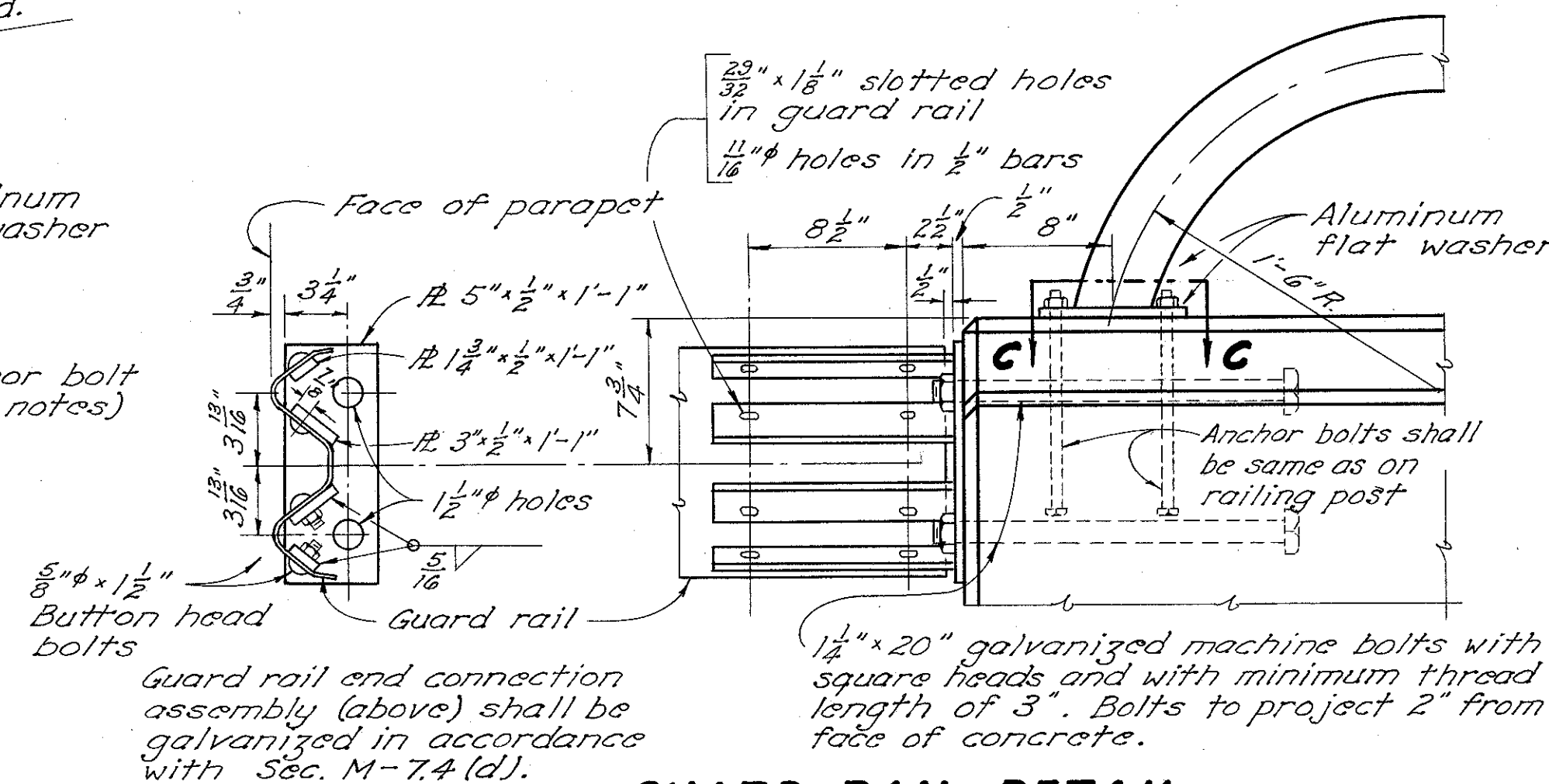
**SHIMS** shall be provided under railing posts, where necessary, to assist in vertical aligning. They shall be of aluminum alloy,  $2\frac{3}{8} \times \frac{1}{2} \times 8$  and shall be slotted for anchor bolts to permit insertion after the posts are in place.

**SET SCREWS** shall be furnished with each casting and shall be included in the unit price bid per linear foot of railing.

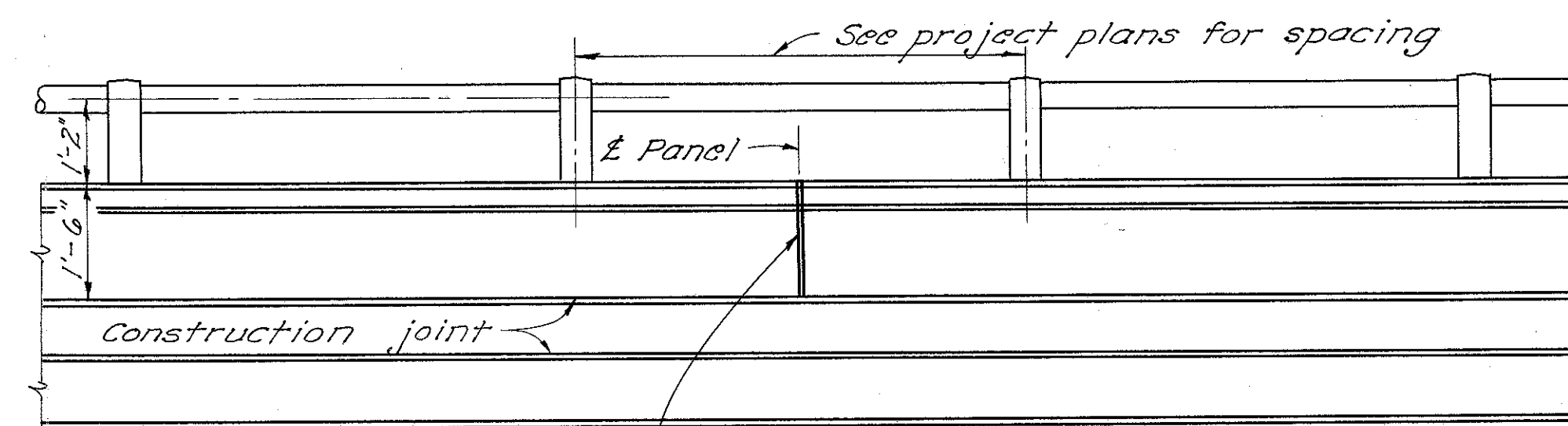
**ANCHOR BOLTS** shall be aluminum with a head or nut at the lower end. They shall be 1'-0" long and shall have a minimum diameter of 0.62" at the root of the thread. Bolts shall be anodized.



**SECTION A-A**

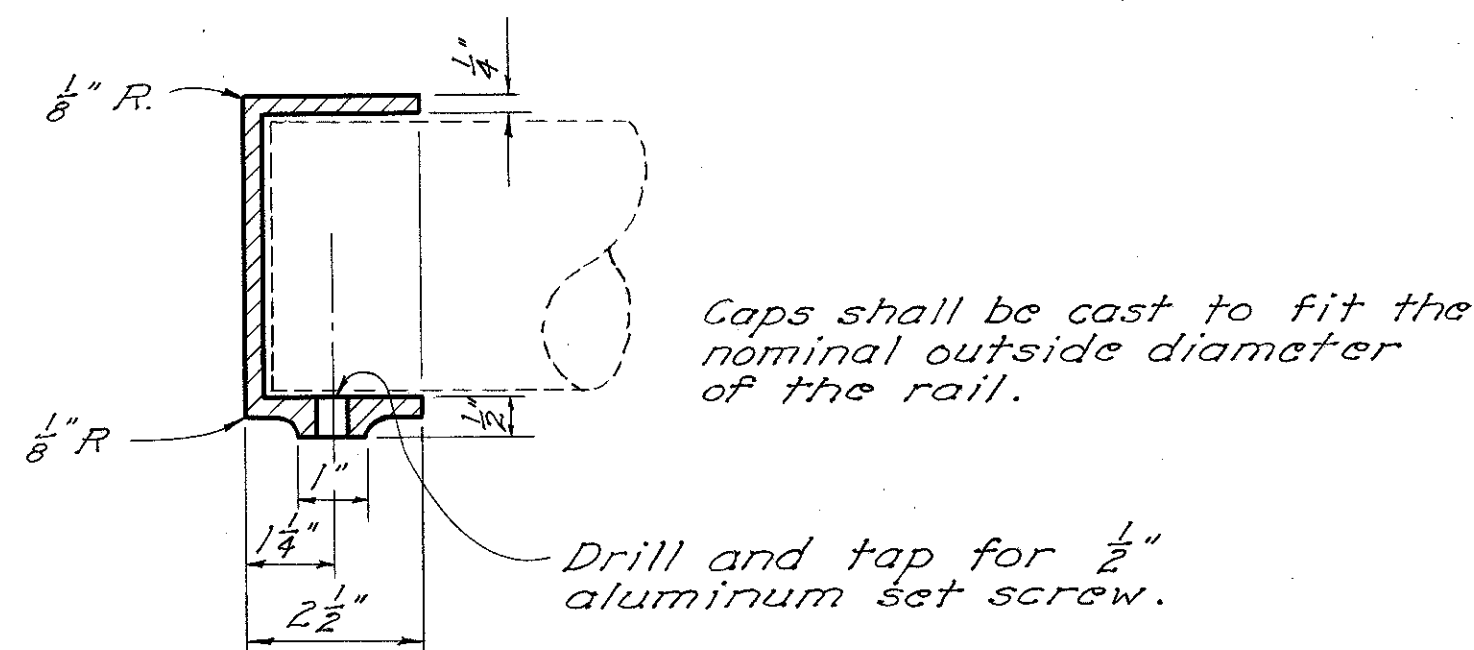


**GUARD RAIL DETAIL**

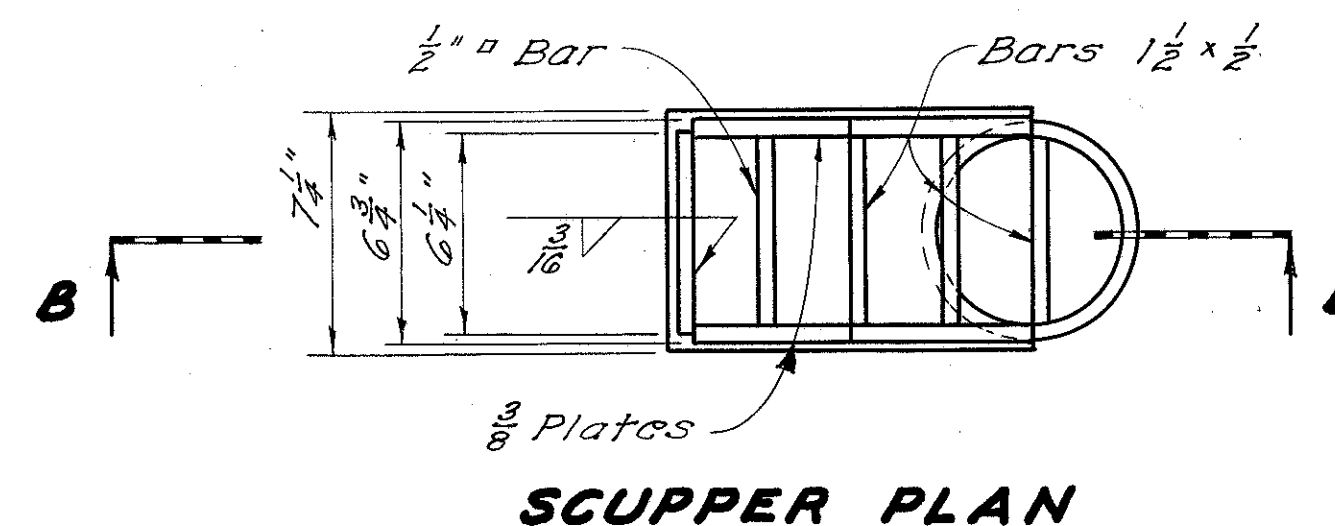


**TREATMENT OF PARAPET AND FASCIA**

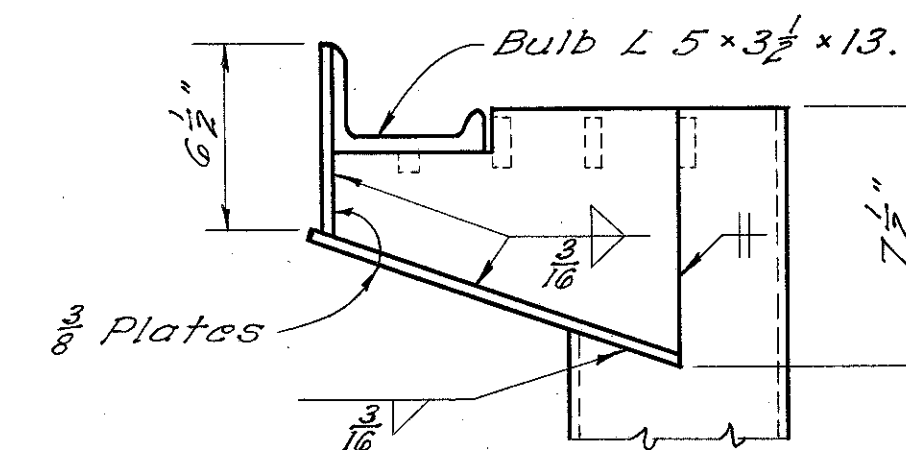
1/4" gray sponge rubber preformed expansion joint filler meeting the requirements of Section M-10.02, Type 1. Space two panel lengths apart. (Included with Item 5-14 for payment.) To insure a neat appearance at these joints the preformed expansion joint filler shall be the full width of the parapet and its edges shall remain free of mortar.



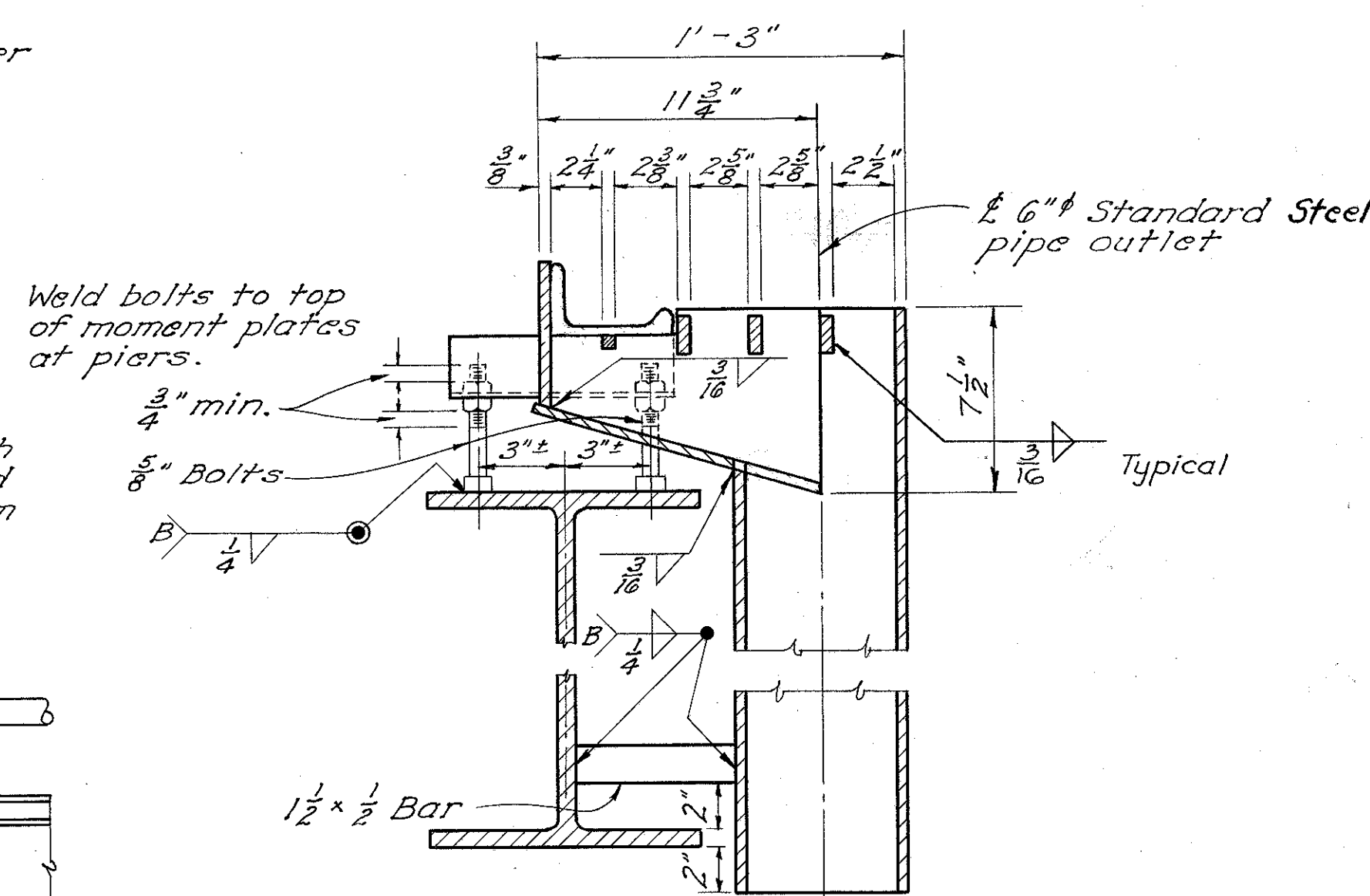
**RAIL CAP DETAIL**



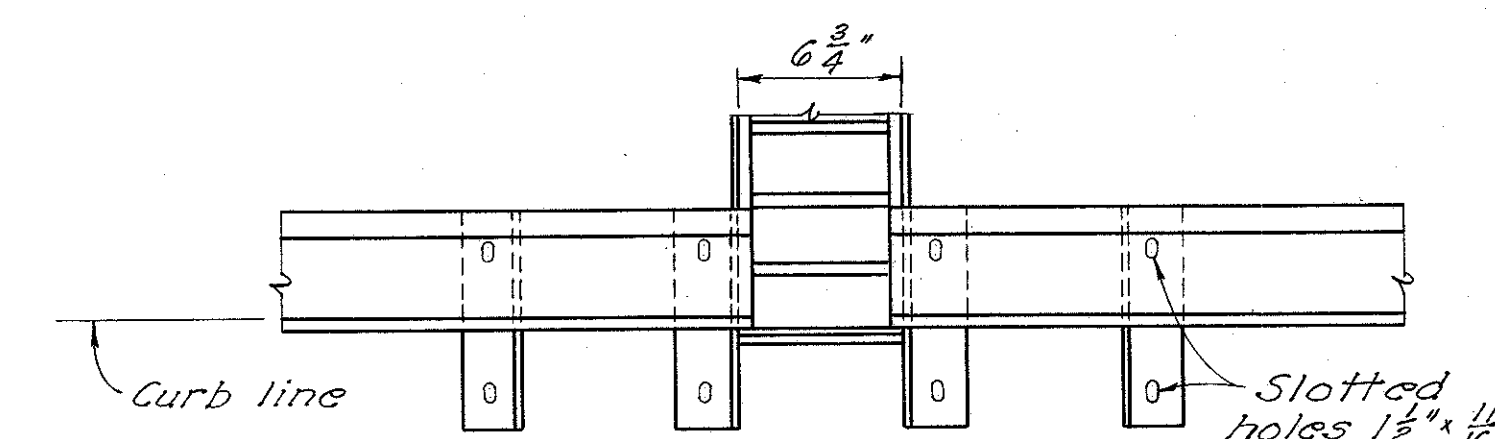
**SCUPPER PLAN**



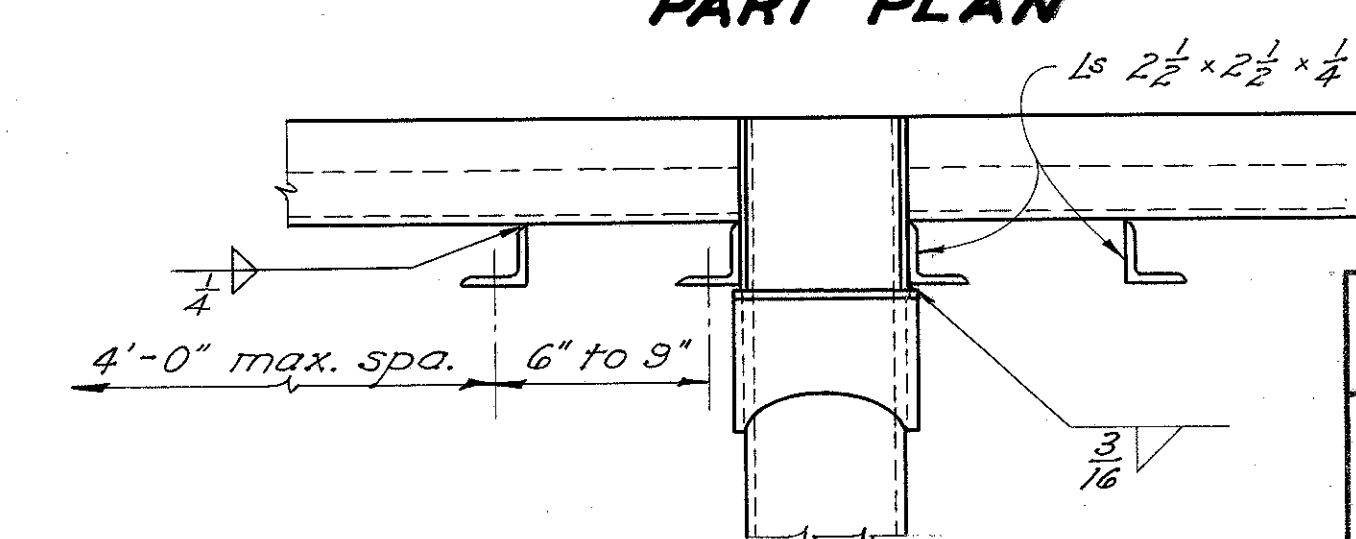
**SCUPPER ELEVATION**



**SECTION B-B**



**PART PLAN**



**GUTTER & SCUPPER DETAILS ELEVATION**

Gutters shall be accurately adjusted for alignment and grade, with allowance for dead load deflection, before concrete is placed.

**PARAPET AND RAILING DETAILS**

**VIEW C-C**

STATE OF OHIO DEPARTMENT OF HIGHWAYS DIVISION OF DESIGN AND CONSTRUCTION BUREAU OF BRIDGES						
<b>COMMON DETAILS</b>						
LAKELAND EXPRESSWAY						
Lake County						
DESIGNED	DRAWN	TRACED	CHECKED	REVIEWED	DATE	REVISED
RHN	RHN	PRO			11-19-58	12-4-58