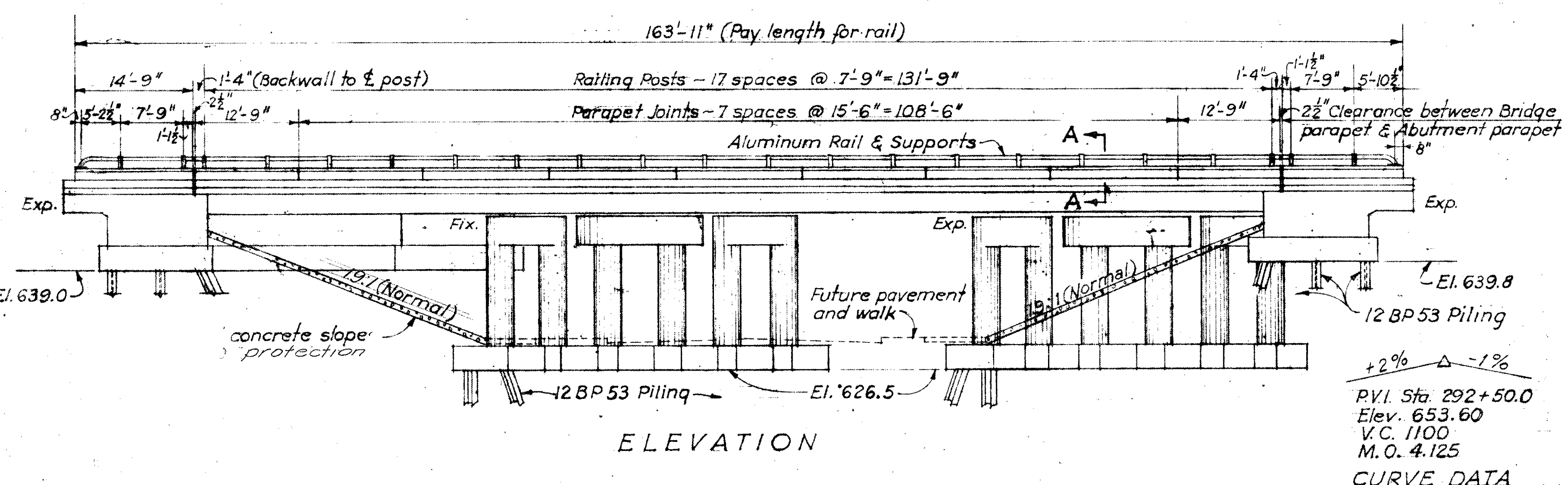
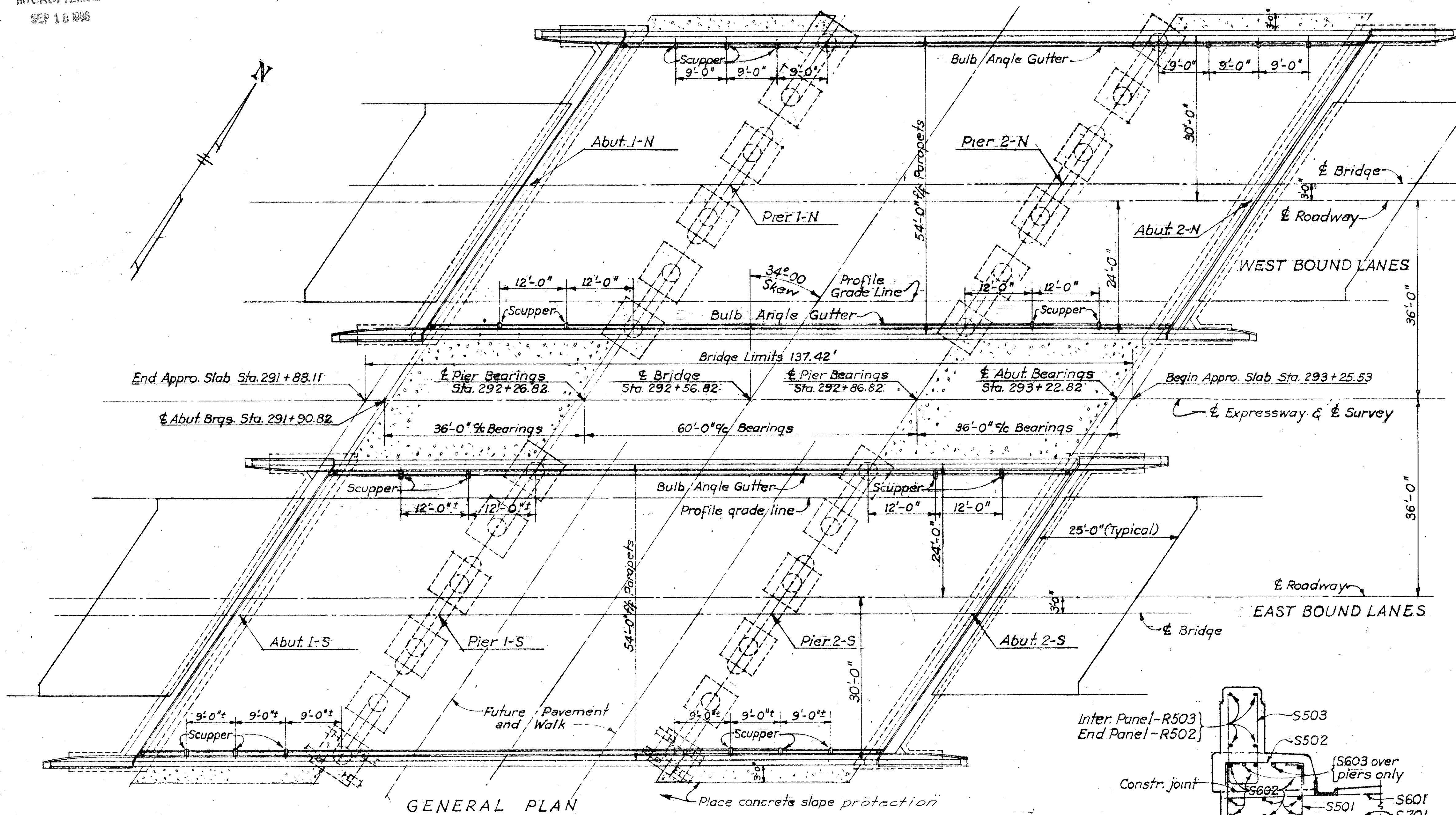


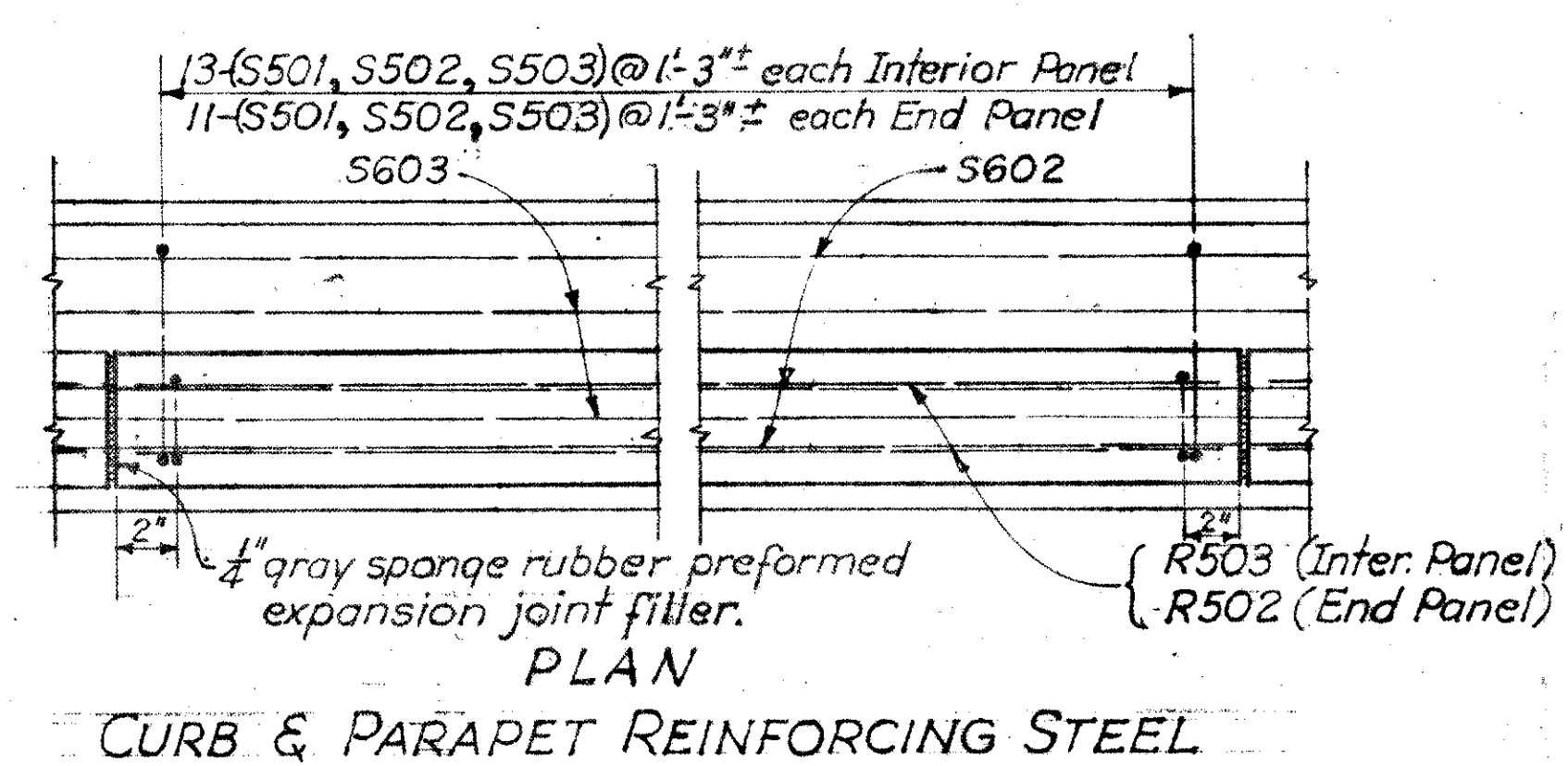
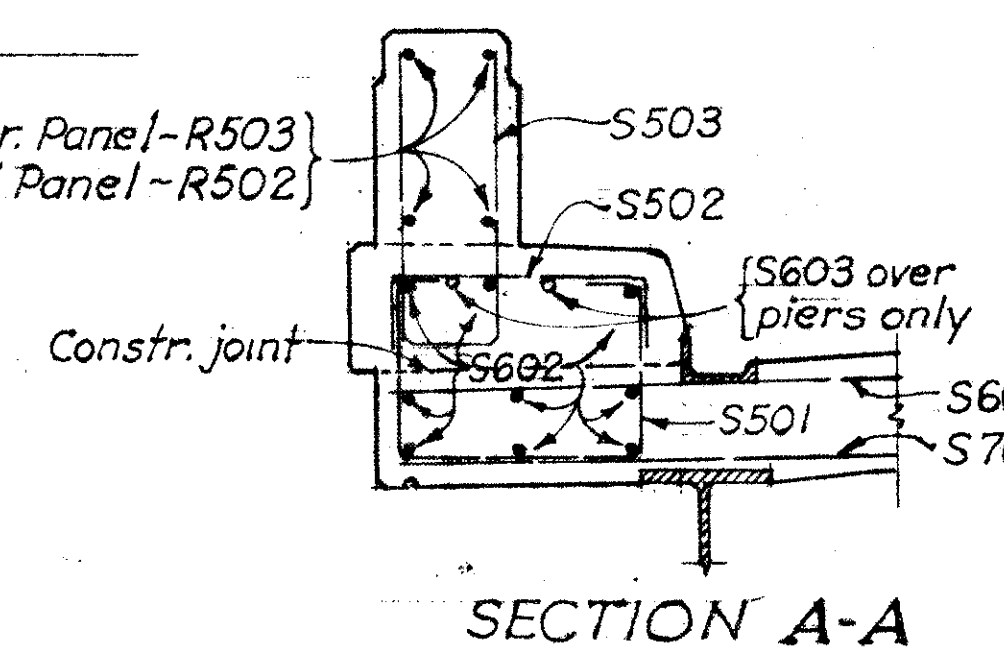
MICROFILMED  
SEP 18 1986

FED. RD. DIVISION	STATE	PROJECT	578 394
2	OHIO		

LAK-2-000



+2%    -1%  
 P.V.I. Sta. 292+50.0  
 Elev. 653.60  
 V.C. 1100  
 M.O. 4.125  
 CURVE DATA



STATE OF OHIO DEPARTMENT OF HIGHWAYS DIVISION OF DESIGN AND CONSTRUCTION BUREAU OF BRIDGES					
<b>GENERAL PLAN &amp; ELEVATION &amp; DETAILS</b>					
BRIDGE NO. LAK-2-0363 L&R OVER BEIDLER ROAD					
LAKE COUNTY				STA. 291+88.11 293+25.53	
DESIGNED	DRAWN	TRACED	CHECKED	REVIEWED	DATE
J.V.G.	J.V.G.		E.B.L.	BFG	11-28-58