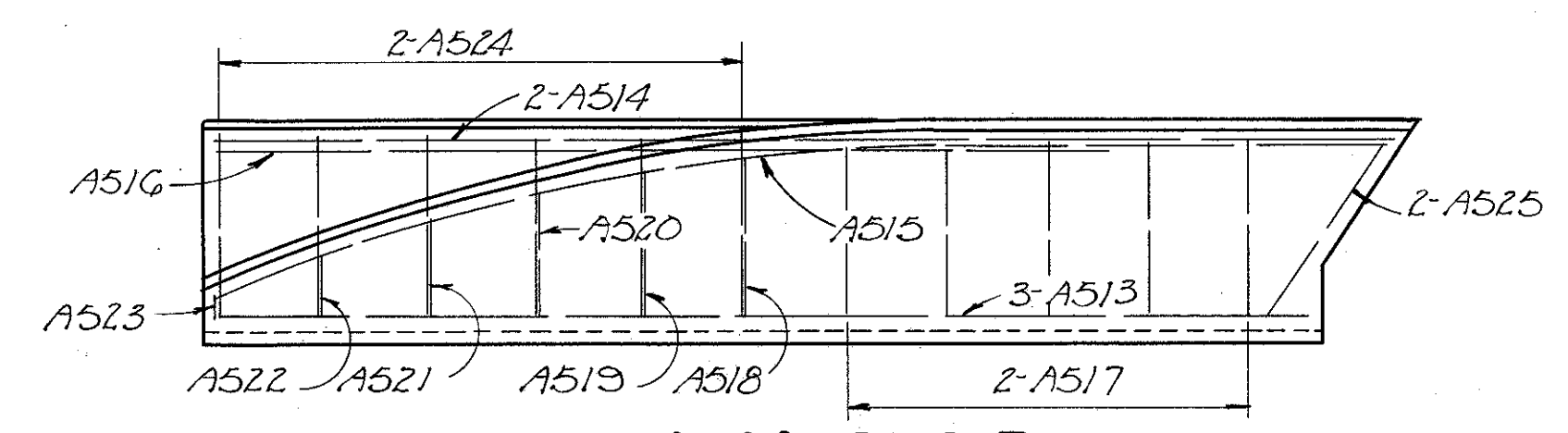
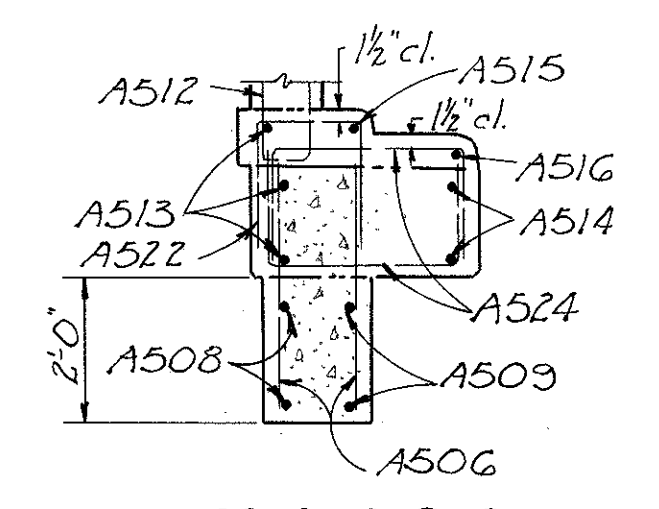


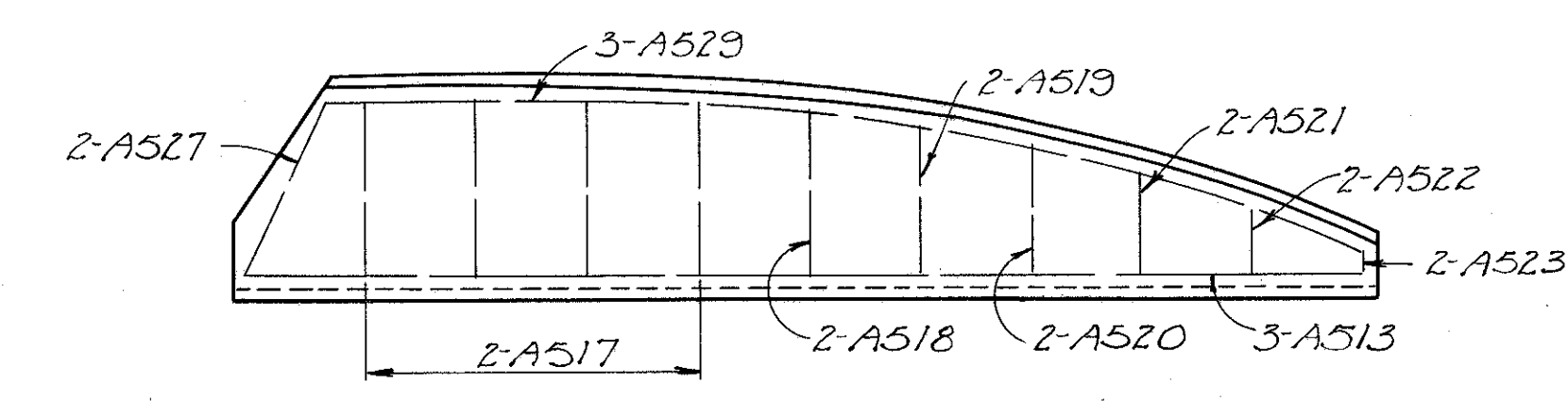
LAK-2-0.00



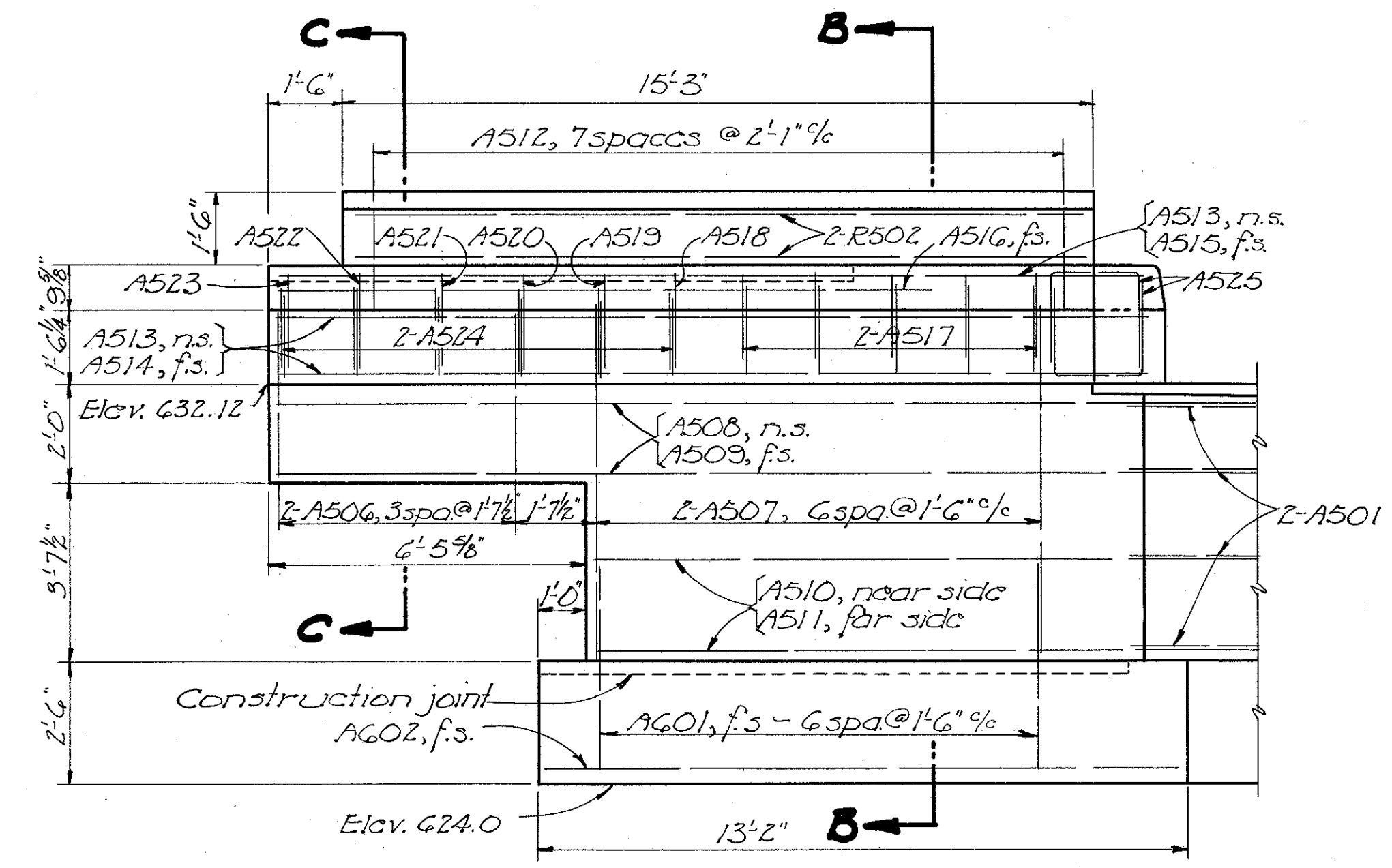
PLAN OF CURB
(Wing Wall "C")



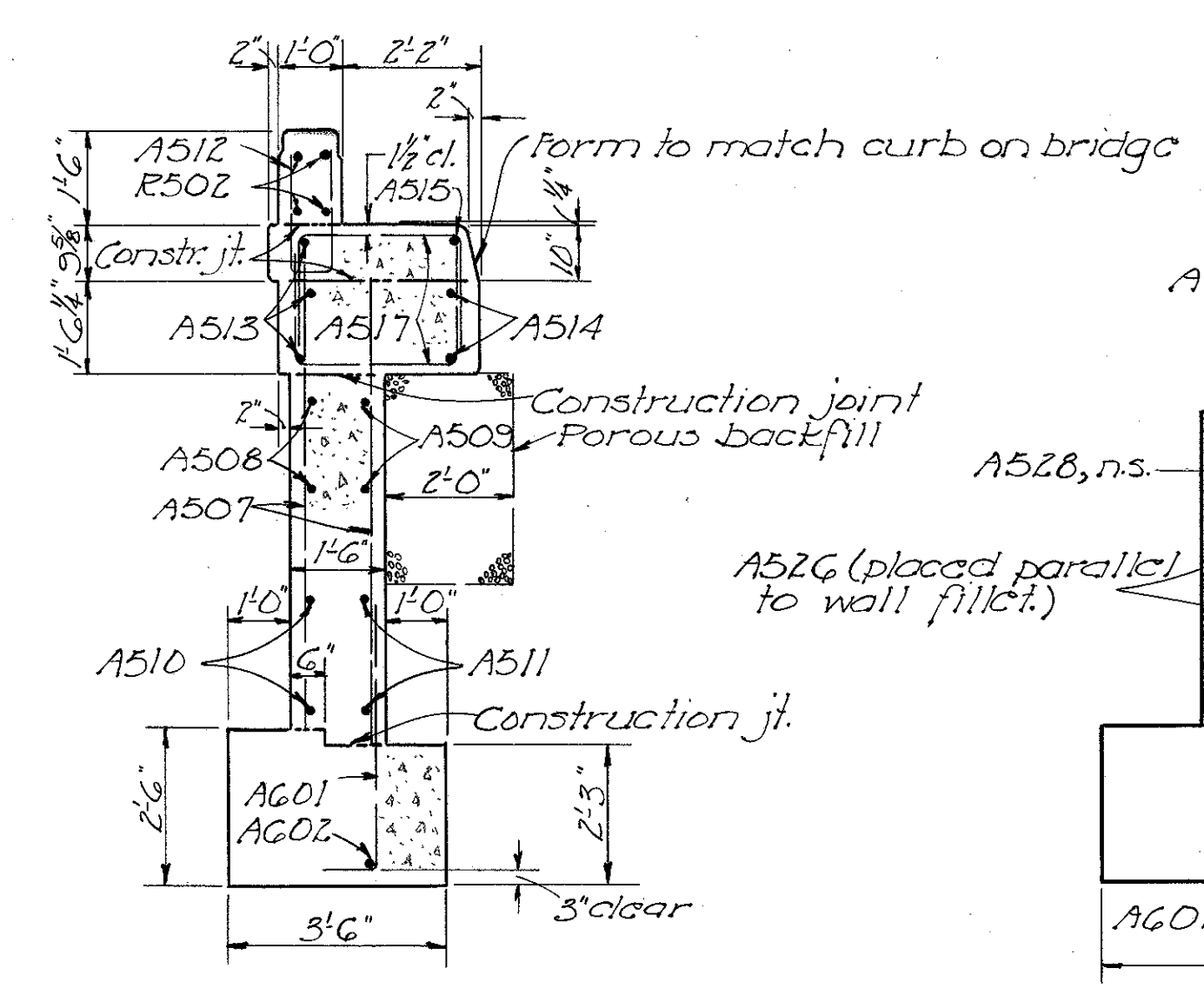
SECTION C-C
(For details not shown see DETAIL "B")



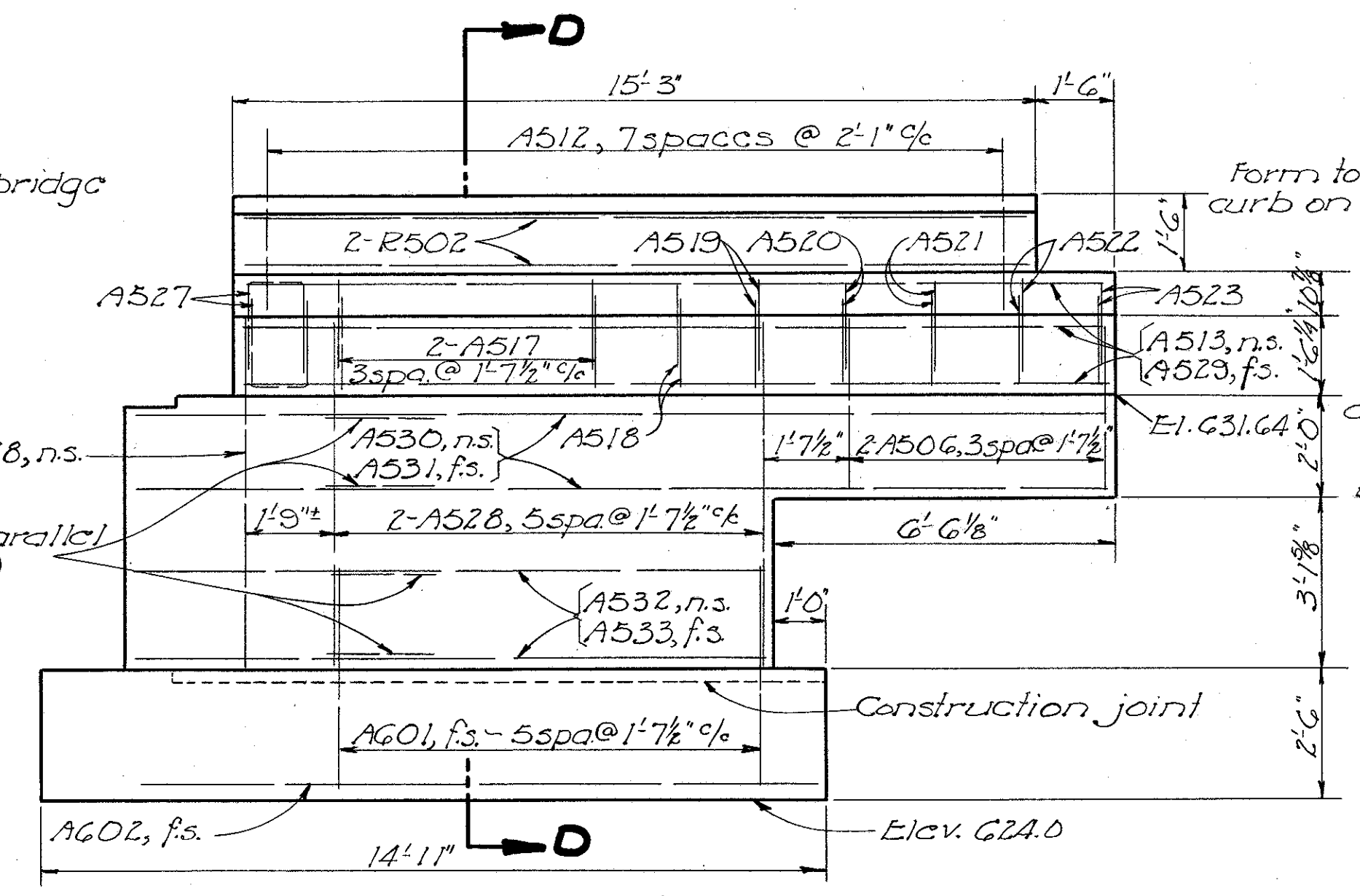
PLAN OF CURB
(Wing Wall "D")



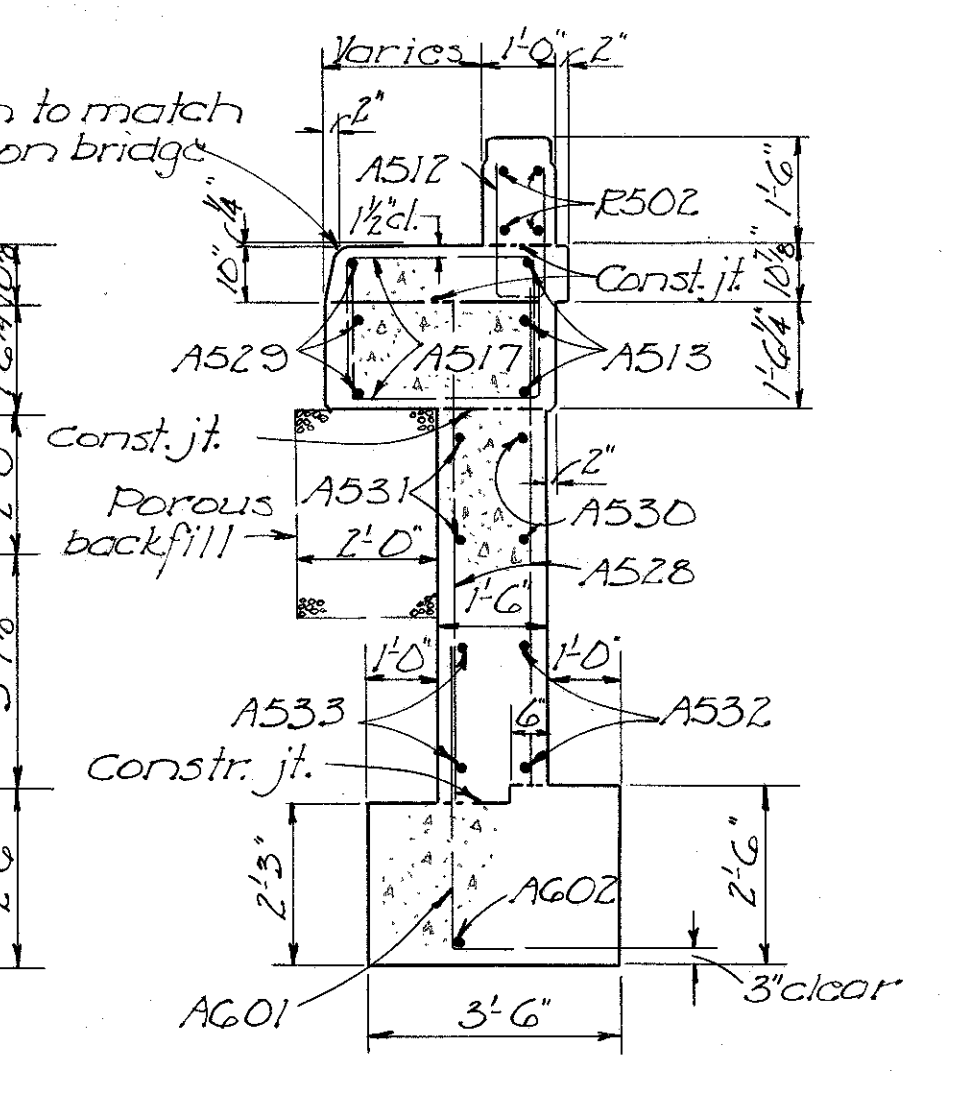
WING WALL "C" ELEVATION



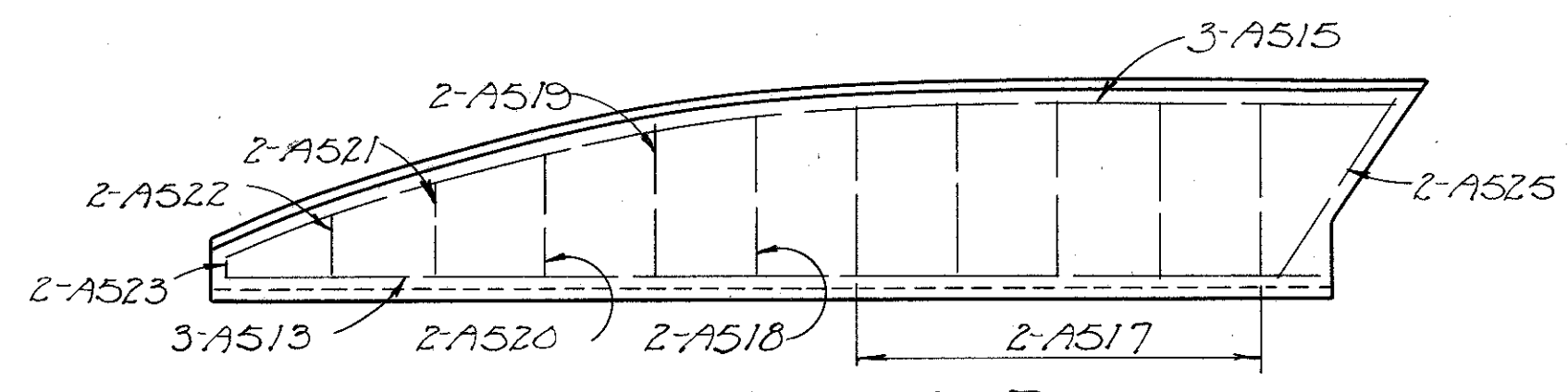
SECTION B-B



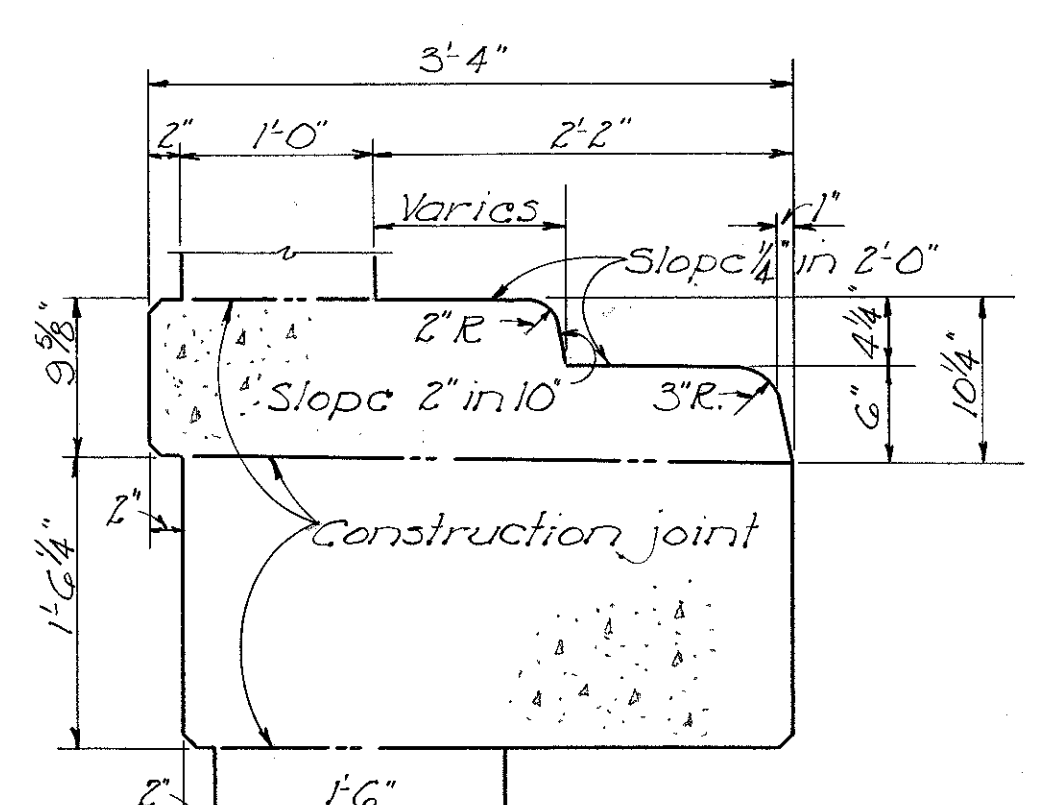
WING WALL "D" ELEVATION



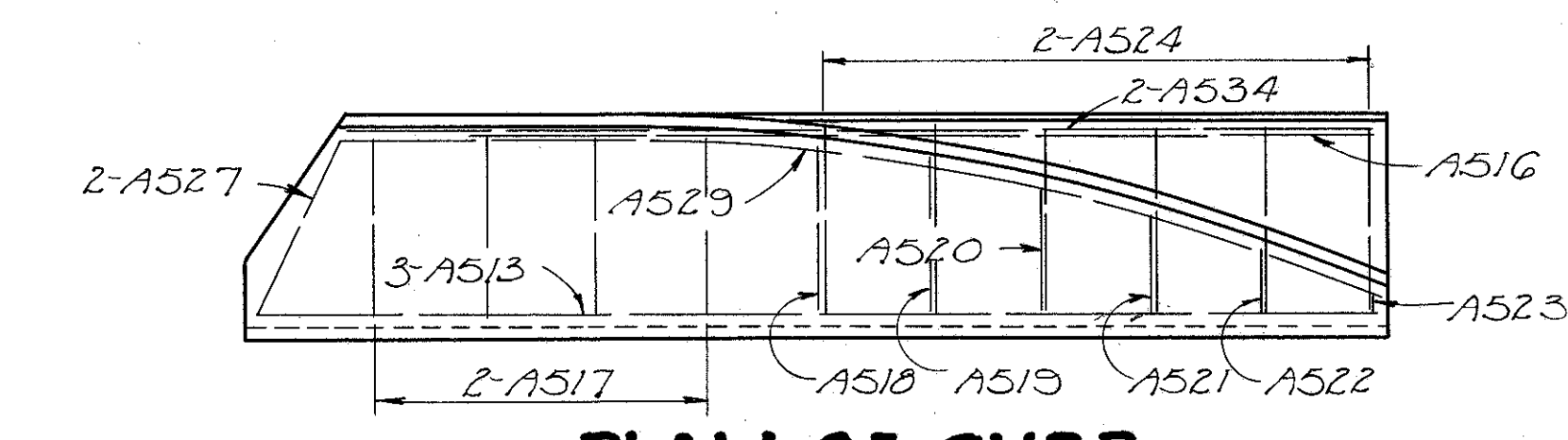
SECTION D-D



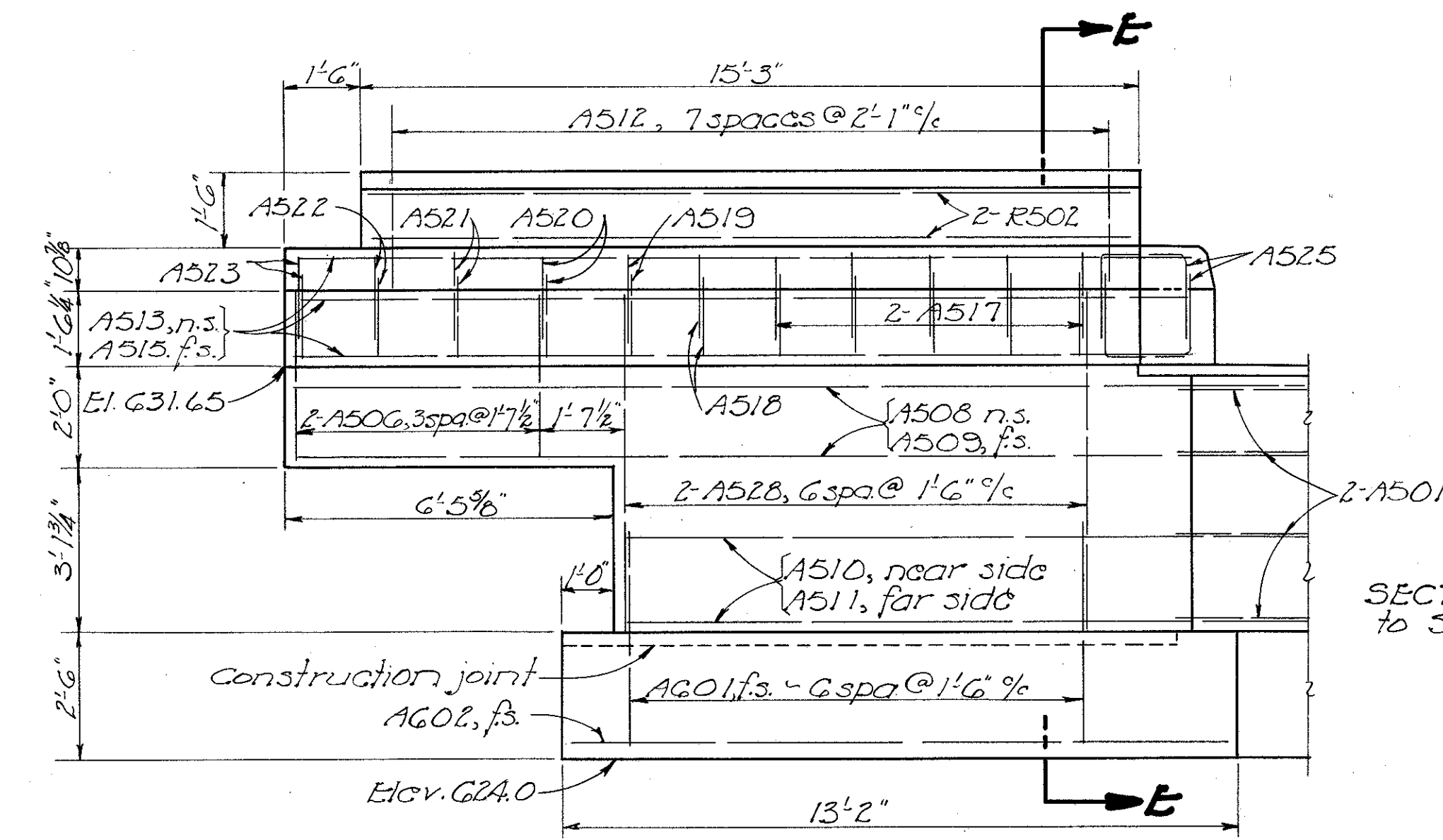
PLAN OF CURB
(Wing Wall "B")



DETAIL "B"



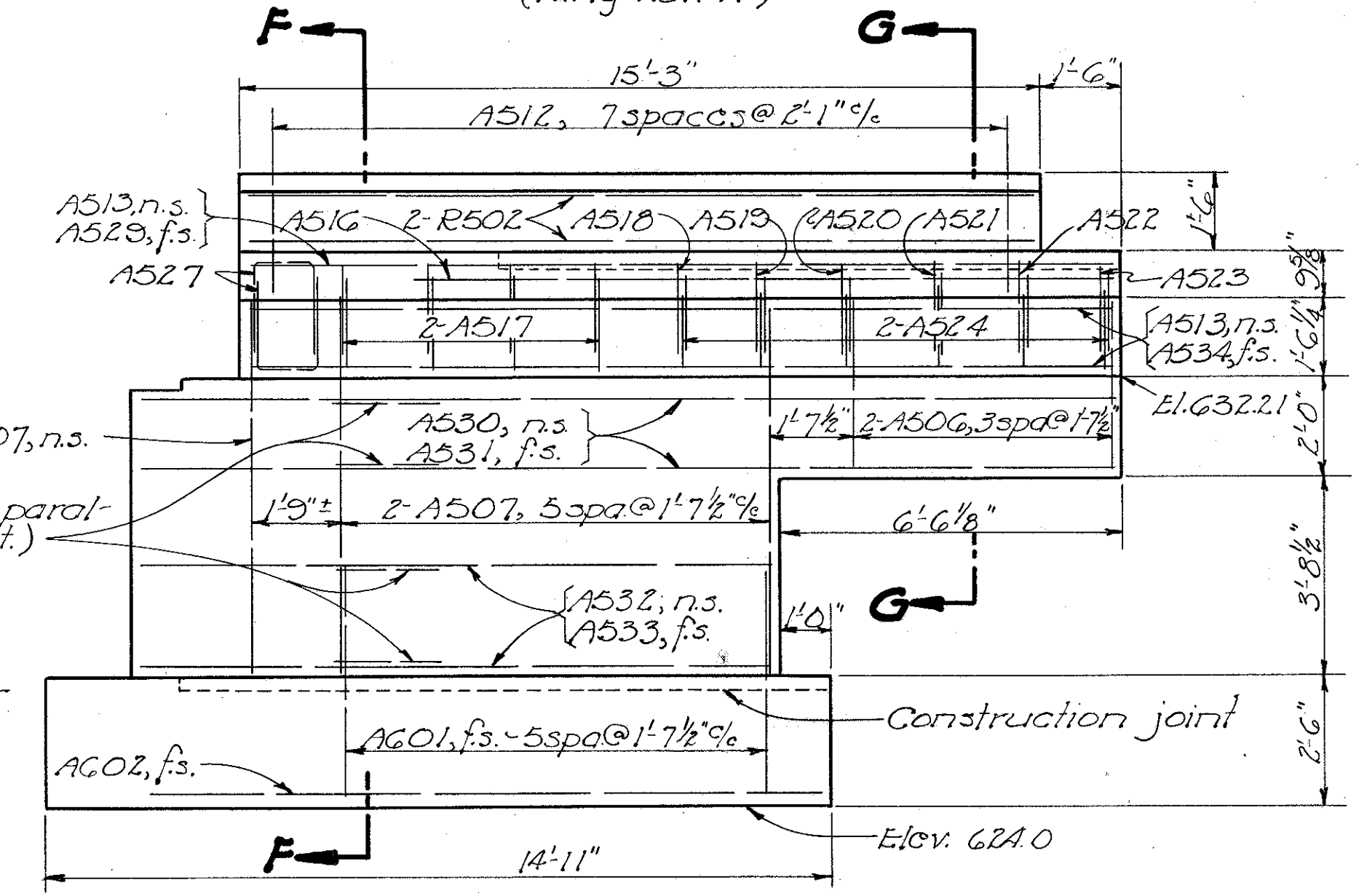
PLAN OF CURB
(Wing Wall "A")



WING WALL "B" ELEVATION

SECTION "E-E" similar to Section "D-D".

SECTION "F-F" similar to Section "B-B".
SECTION "G-G" similar to Section "C-C".



WING WALL "A" ELEVATION

ALUMINUM RAILING not shown on these details.

For details of ALUMINUM RAILING and PARAPET see "Common Details", Sheet No. 393A.

For additional abutment details see "Rear Abutment Details", Sheet No. 373 and "Forward Abutment Details", Sheet No. 374.

STATE OF OHIO DEPARTMENT OF HIGHWAYS DIVISION OF DESIGN AND CONSTRUCTION BUREAU OF BRIDGES					
ABUTMENT DETAILS					
Bridge No. LAK-2-Marginal Rd.					
Sta. 24+48.49 24+77.51					
DESIGNED	DRAWN	TRACED	CHECKED	REVIEWED	DATE
DGM	DGM	RIC	RLD	BFG	3-4-59