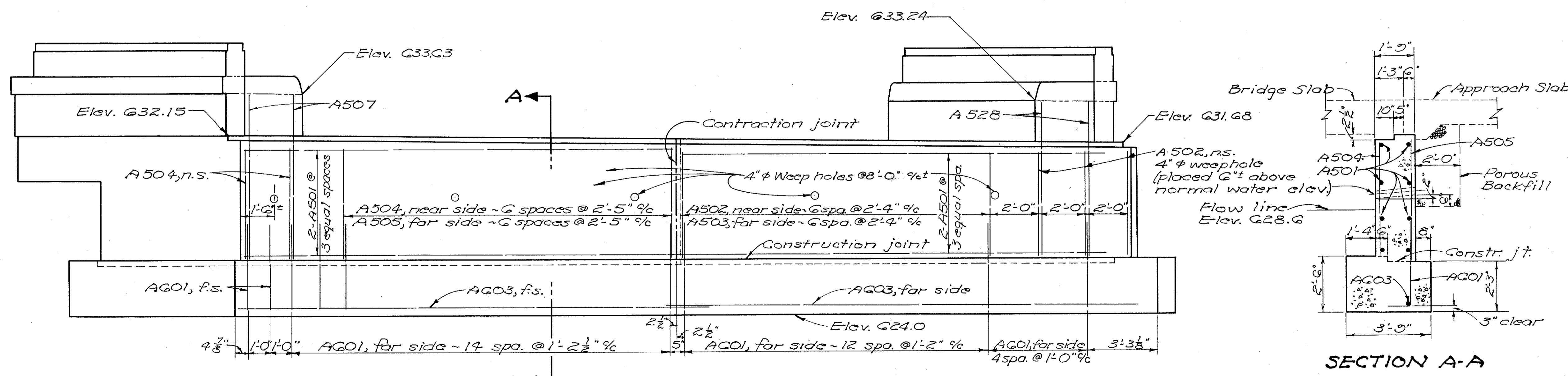
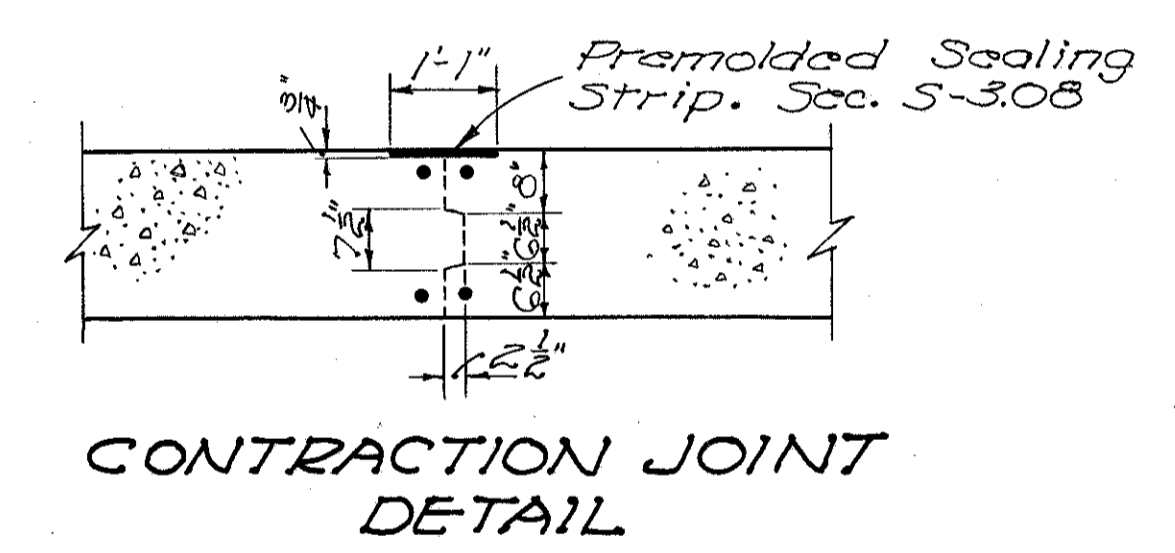
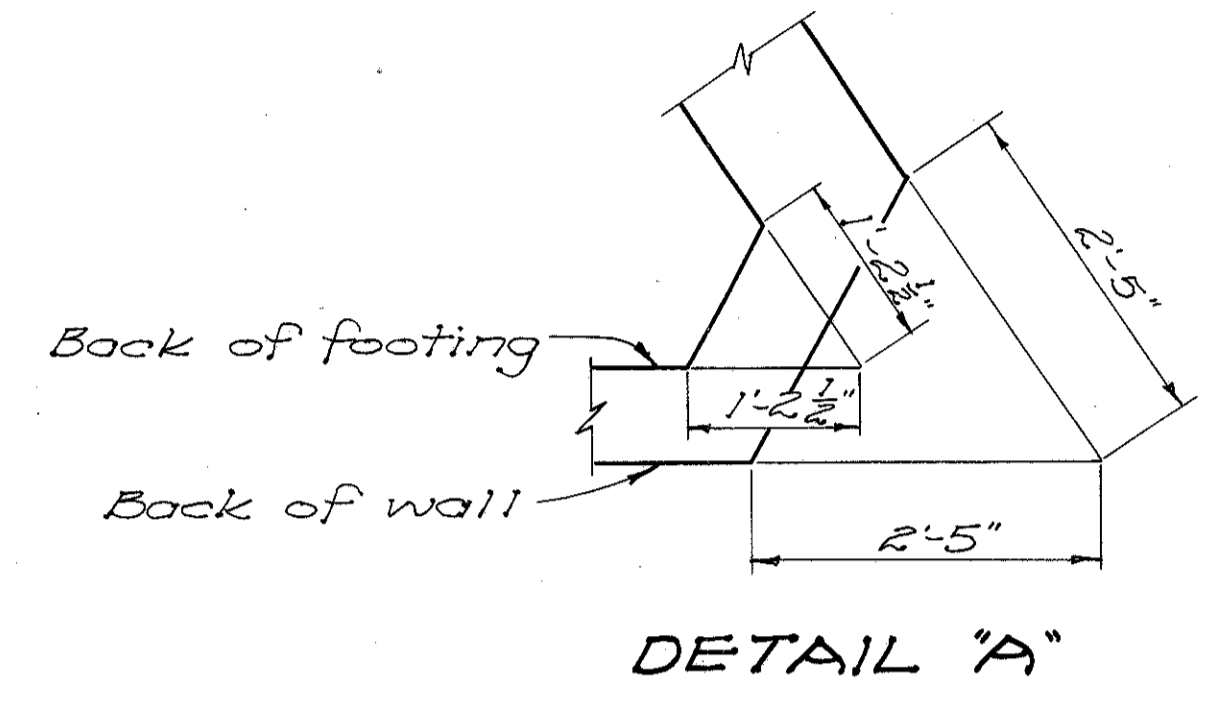
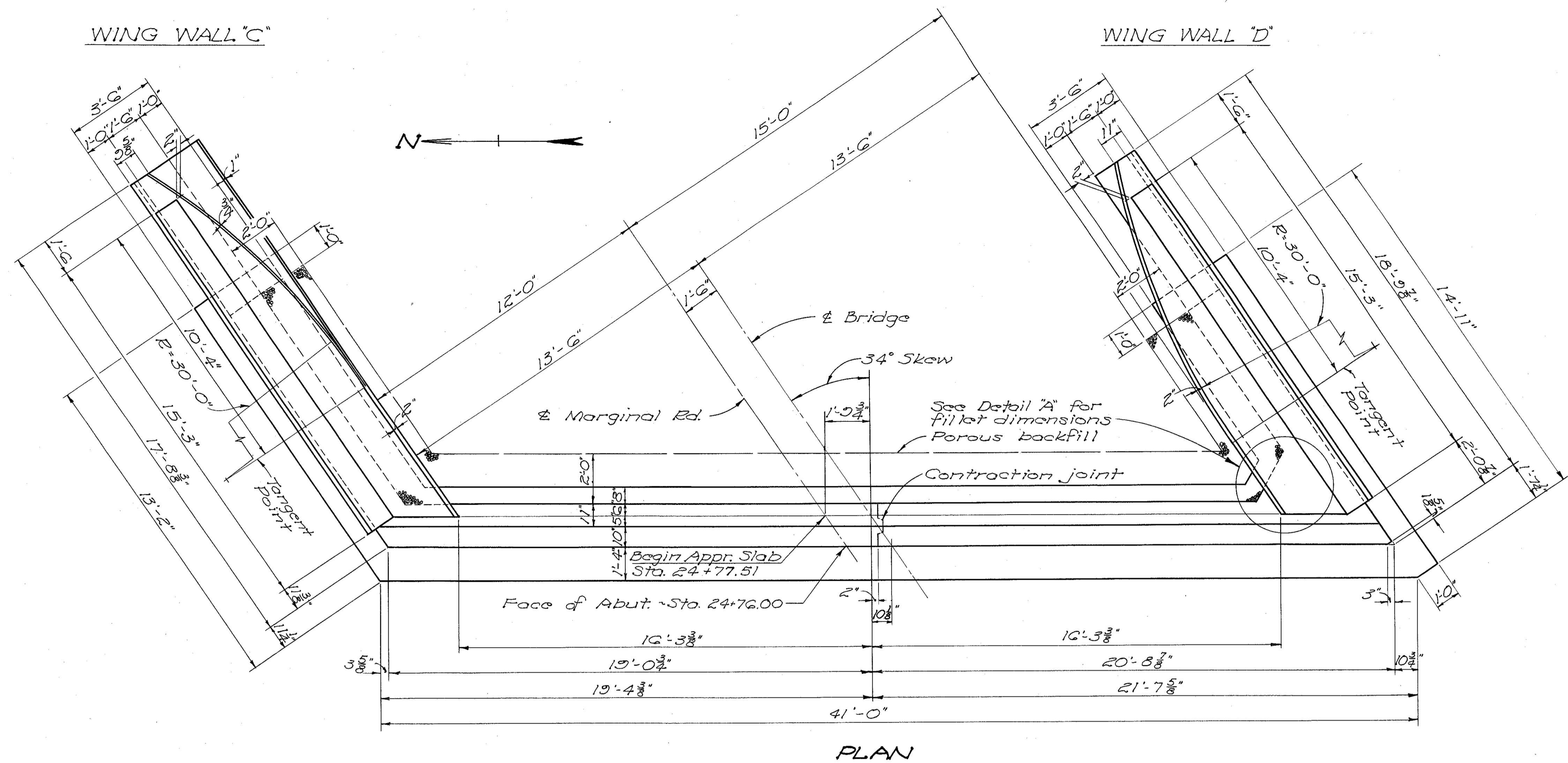


LAK-2-0.00



POROUS BACKFILL shall extend upward to the approach slab and to the underside of the wing wall safety curbs within the limits shown on the plans. Excavation therefor, in excess of that required for construction of the footing, shall be considered as paid for in the bid price per cu yd paid for porous backfill.

FOR ADDITIONAL DETAILS see "Bear Abutment Details", sheet no. 373 and "Abutment Details", sheet no. 375.

STATE OF OHIO DEPARTMENT OF HIGHWAYS DIVISION OF DESIGN AND CONSTRUCTION BUREAU OF BRIDGES						
FORWARD ABUTMENT DETAILS						
BRIDGE NO. LAK-2-MARGINAL RD.						
LAKE COUNTY STA. 24+98.49 24+77.51						
DESIGNED	DRAWN	TRACED	CHECKED	REVIEWED	DATE	REVISED
DGM	DGM	REM	R.L.D.	BFG	9/29/59	