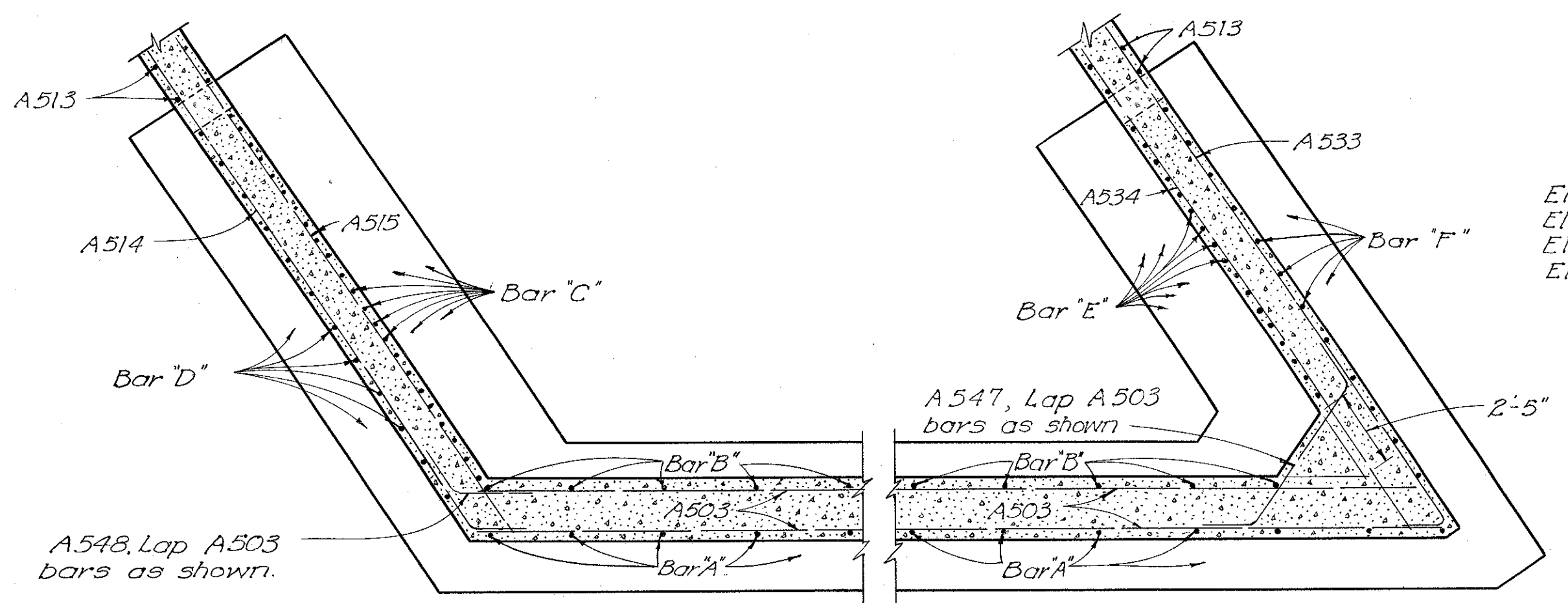
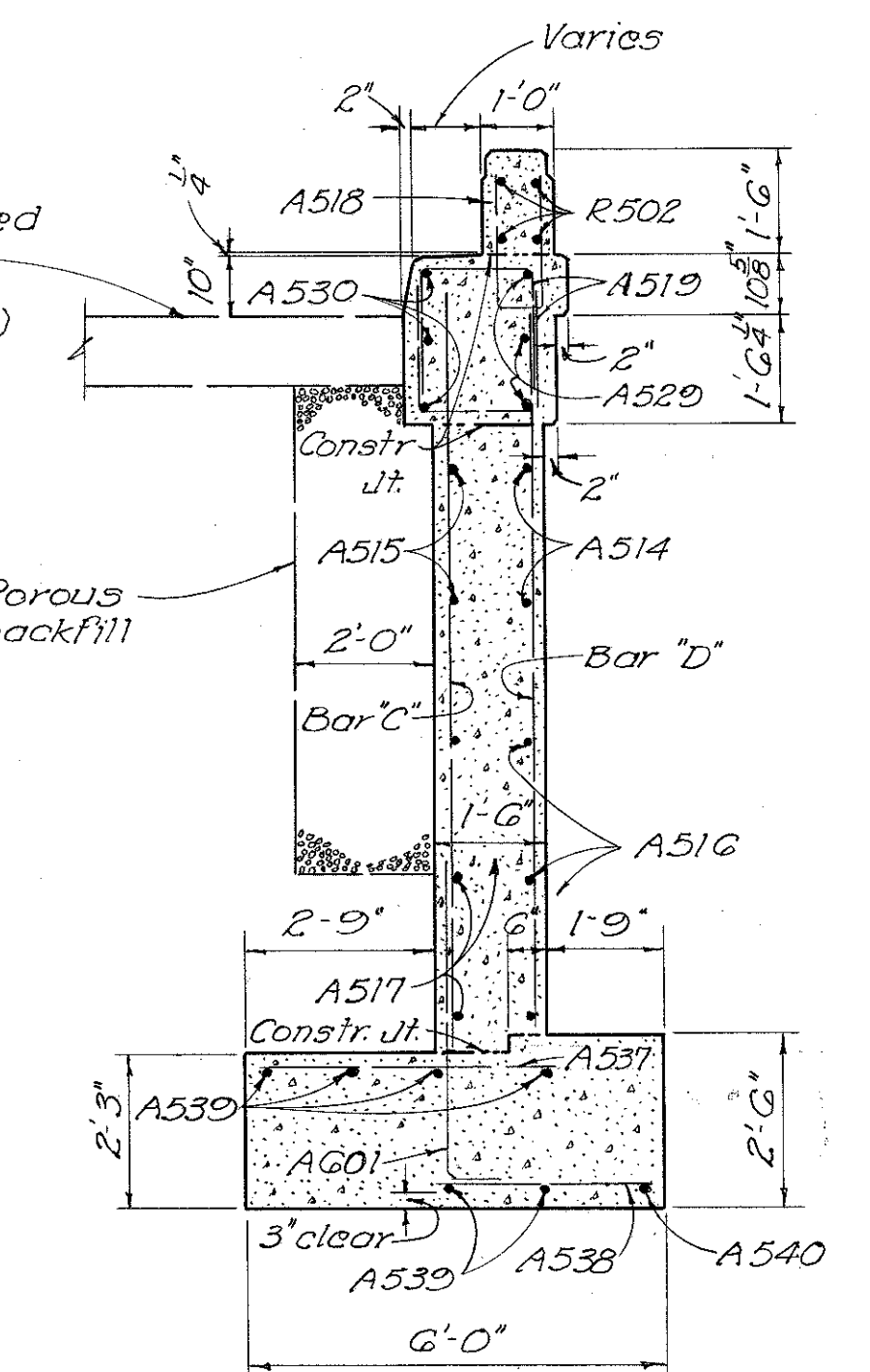
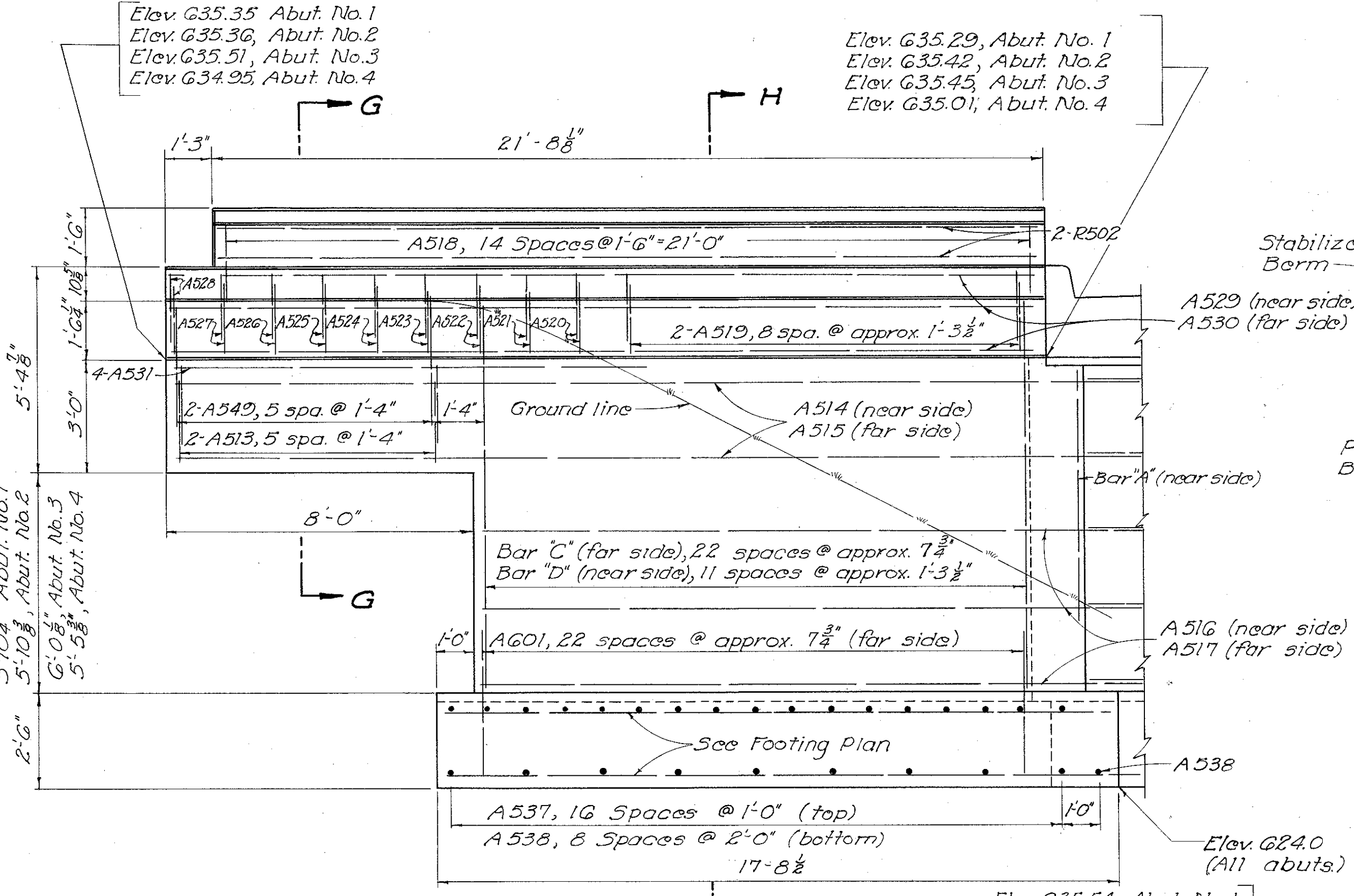
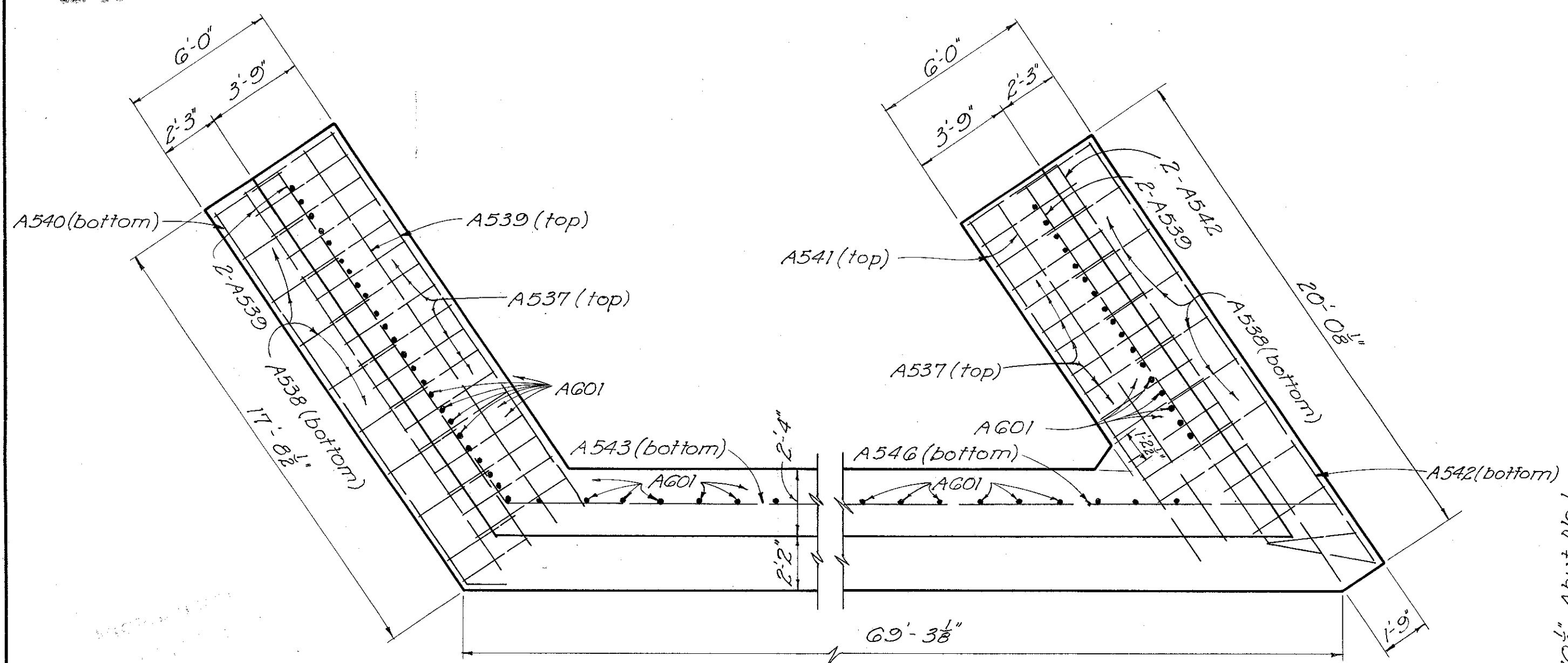


MICROFILMED
SEP 18 1966

FED. RD. DIVISION	STATE	PROJECT
2	OHIO	

368
394

LAK-2-0.00



Elev. G35.49, Abut. No. 1
Elev. G35.23, Abut. No. 2
Elev. G35.08, Abut. No. 3
Elev. G35.38, Abut. No. 4

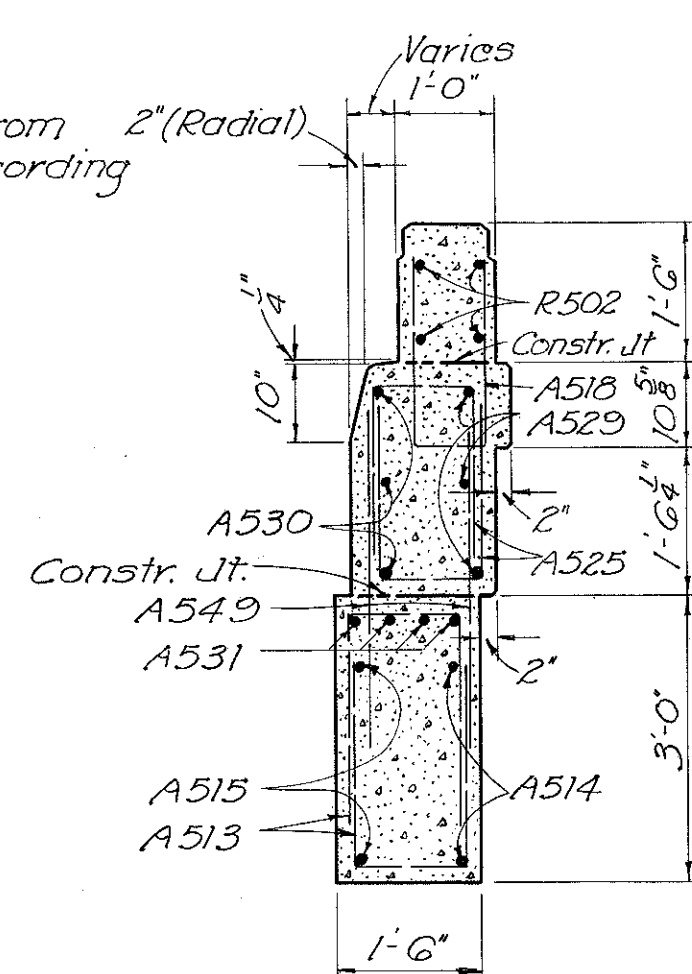
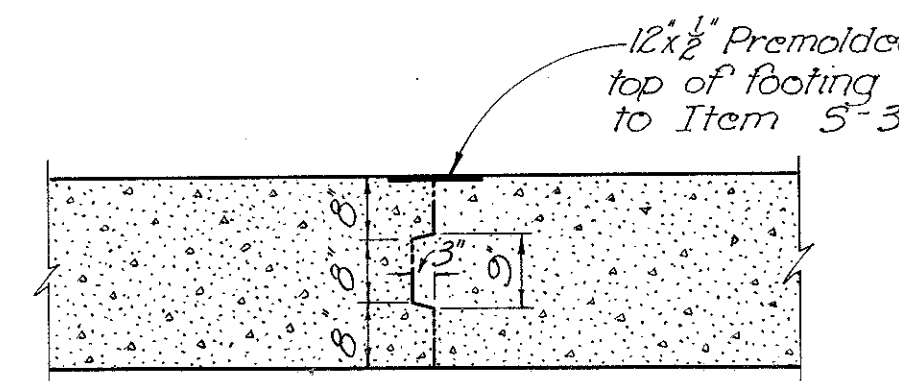
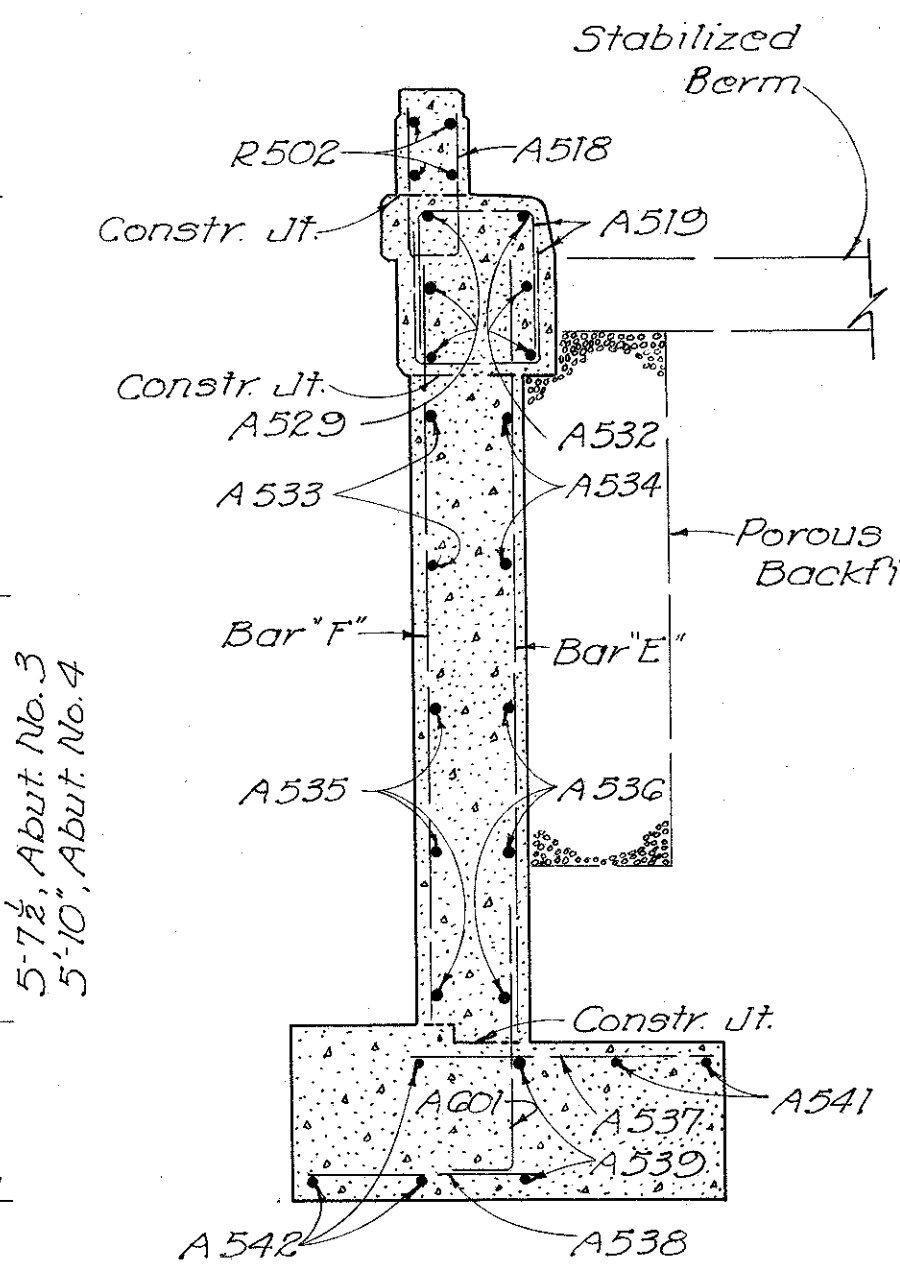
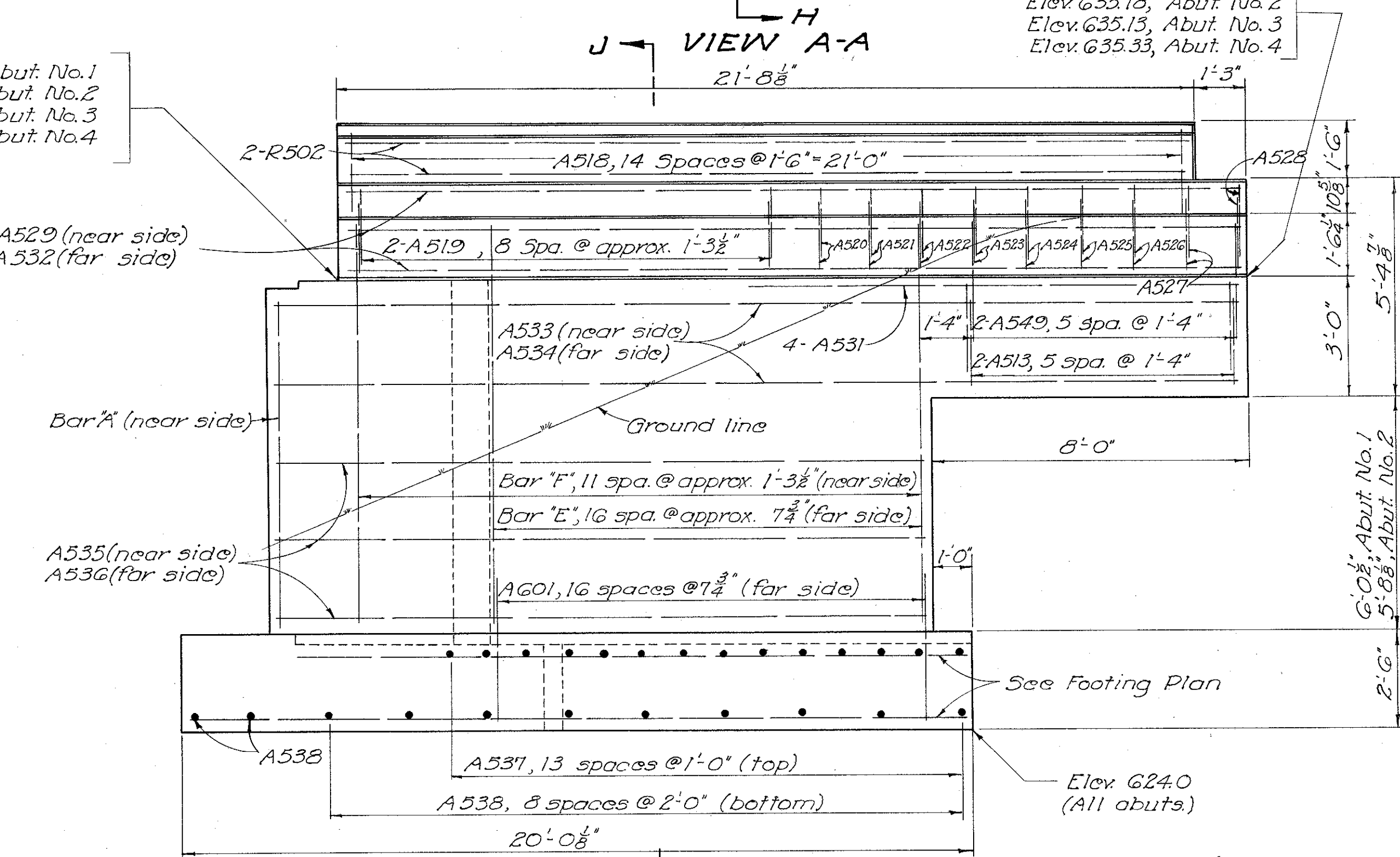


TABLE OF REINFORCING BARS

	Bar "C"	Bar "D"	Bar "E"	Bar "F"
Abutment No. 1	AG02	A511	AG02	A511
Abutment No. 2	AG02	A511	AG03	A512
Abutment No. 3	AG02	A511	AG03	A512
Abutment No. 4	AG03	A512	AG02	A511

STATE OF OHIO
DEPARTMENT OF HIGHWAYS
DIVISION OF DESIGN AND CONSTRUCTION
BUREAU OF BRIDGES

ABUTMENT DETAILS
BRIDGE No. LAK-2-0304-L&R
LAKELAND FREEWAY

LAKE COUNTY STA. 260+10.49
STA. 260+39.51

DESIGNED	DRAWN	TRACED	CHECKED	REVIEWED	DATE	REVISED
OPM	OPM	R.H.D.	MPB	BFG	9.1.59	2-27-59