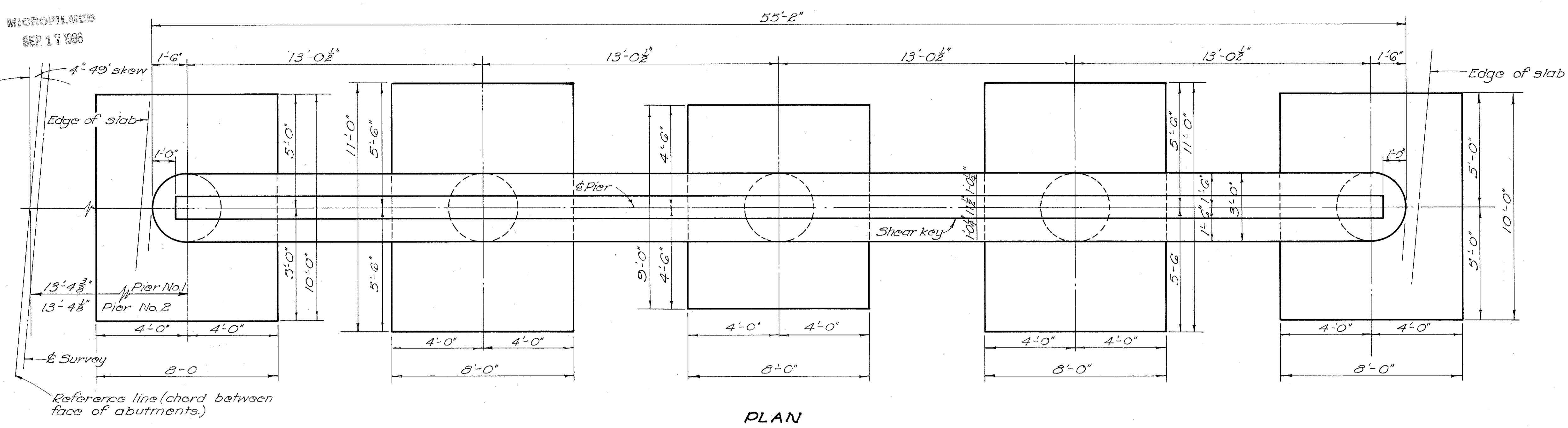
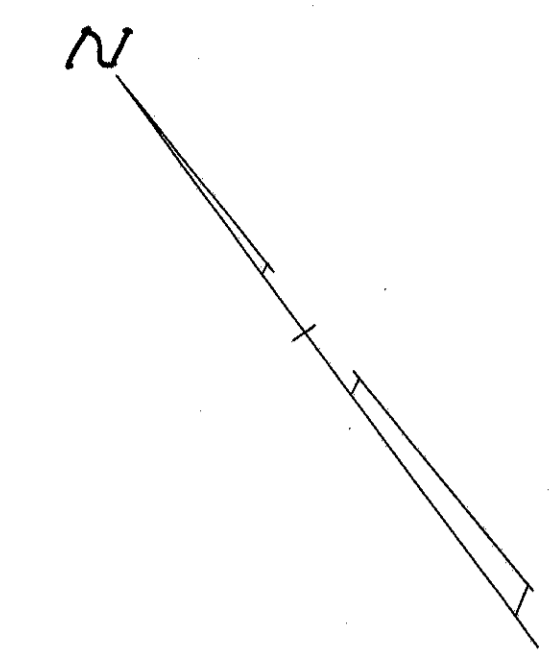


MICROFILMED
SEP 17 1986

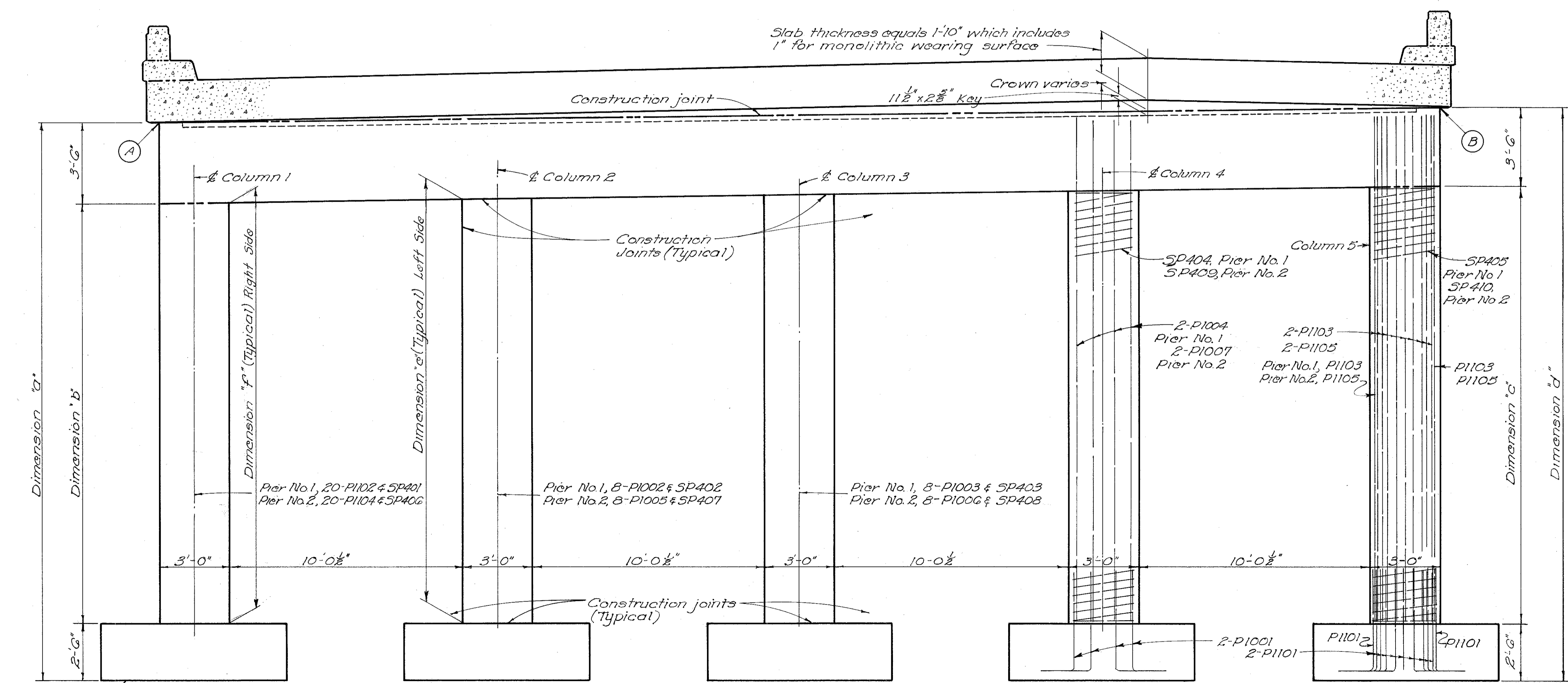
FED. RD. DIVISION	STATE	PROJECT
2	OHIO	

343
394

LAK-2-0.00



PLAN



ELEVATION

ELEVATIONS & DIMENSIONS		
ELEVATIONS	PIER 1	PIER 2
Point A	657.89	657.17
Point B	658.03	657.81
Point C	636.00	635.00
DIMENSIONS	PIER 1	PIER 2
Dimension "a"	21'-4 3/8"	22'-2"
Dimension "b"	15'-4 3/8"	16'-2"
Dimension "c"	16'-0 3/8"	16'-9 3/8"
Dimension "d"	22'-0 3/8"	22'-9 3/8"
Dimension "e"		
Column 2	15'-6 1/2"	16'-3 3/8"
Column 3	15'-8 1/4"	16'-5 3/8"
Column 4	15'-10 3/8"	16'-7 3/8"
Column 5	16'-0"	16'-9 3/8"
Dimension "f"		
Column 1	15'-5 1/2"	16'-2 3/8"
Column 2	15'-6 3/8"	16'-4 3/8"
Column 3	15'-8 3/8"	16'-6 3/8"
Column 4	15'-10 1/2"	16'-7 3/8"

Note: For reinforcing steel not shown see: DETAILS OF PIERS No. 3 & 4 on Sheet No. 344

ELEVATION "C" is the same for all footings in each pier
CONSTRUCTION JOINTS shall be used at top and bottom of all columns

STATE OF OHIO
DEPARTMENT OF HIGHWAYS
DIVISION OF DESIGN AND CONSTRUCTION
BUREAU OF BRIDGES

DETAILS OF PIERS No. 1 & 2
BRIDGE No. LAK-2-0105 L&R
OVER WORDEN RD.
LAKE COUNTY STA. 155+41.40
STA. 156+72.91

DESIGNED	DRAWN	TRACED	CHECKED	REVIEWED	DATE	REVISED
g.m.f.	g.m.f.	R.H.D.	D.G.M.	B.F.G.	9/12/58	