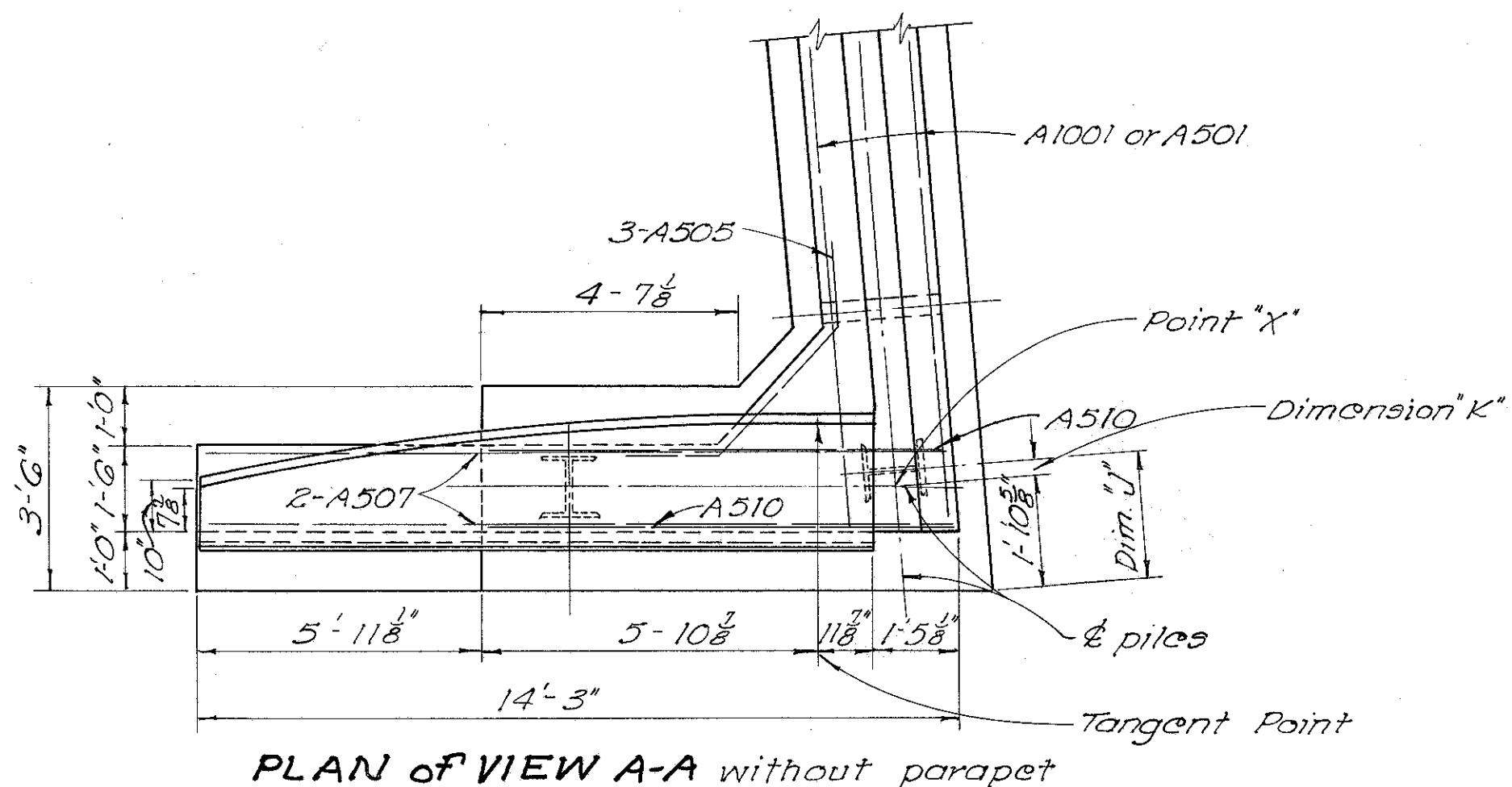
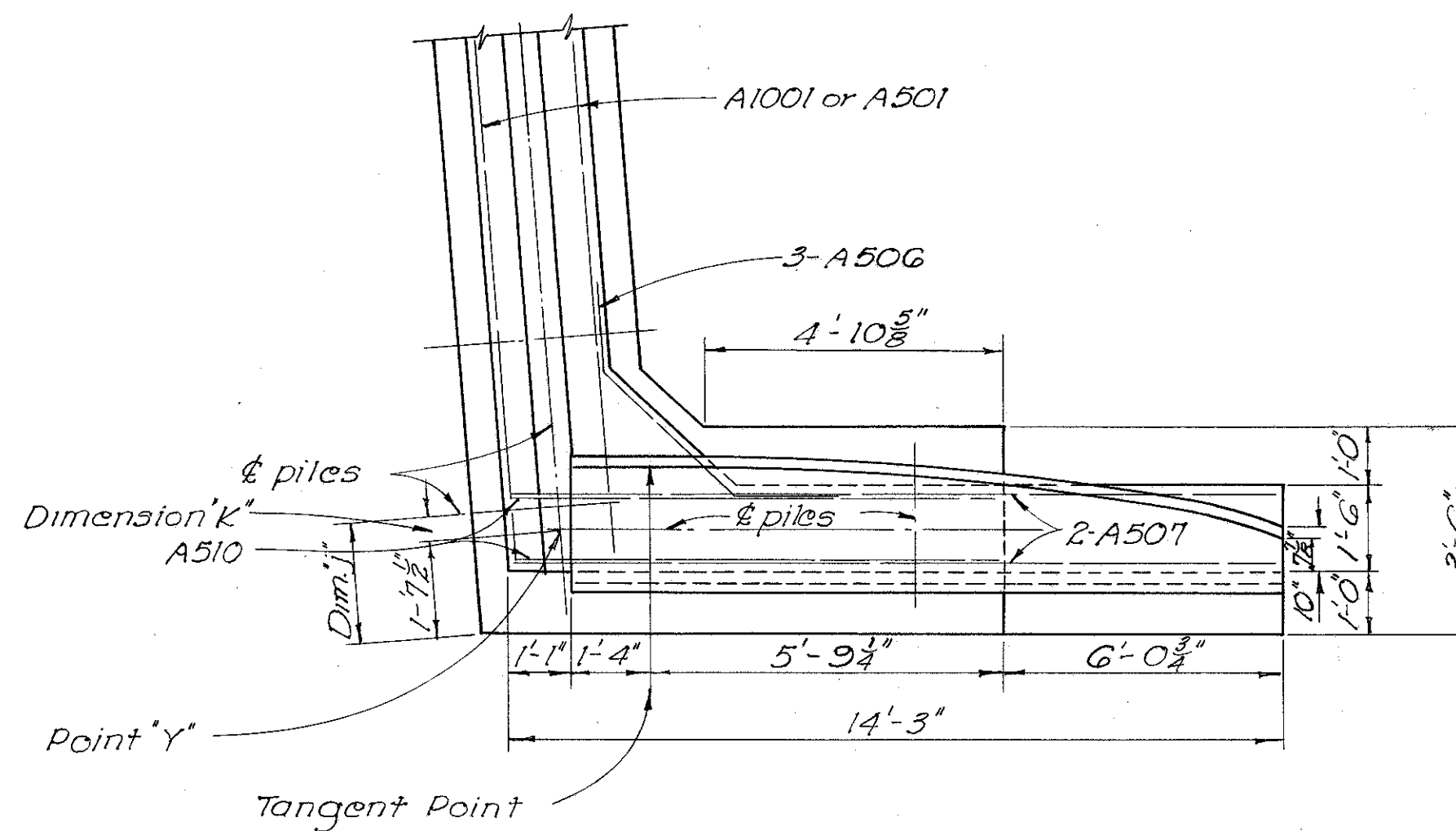


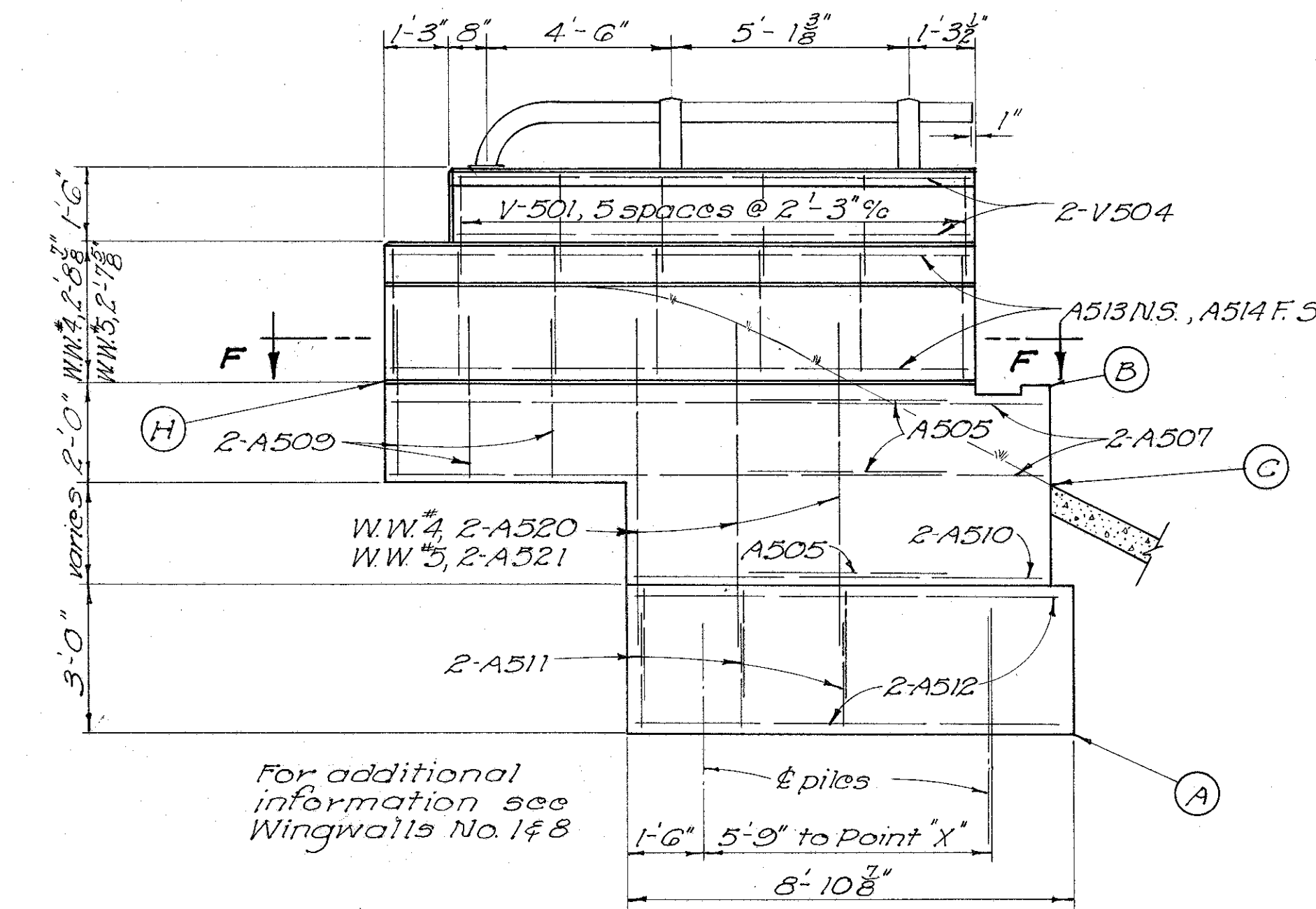
LAK-2-0.00



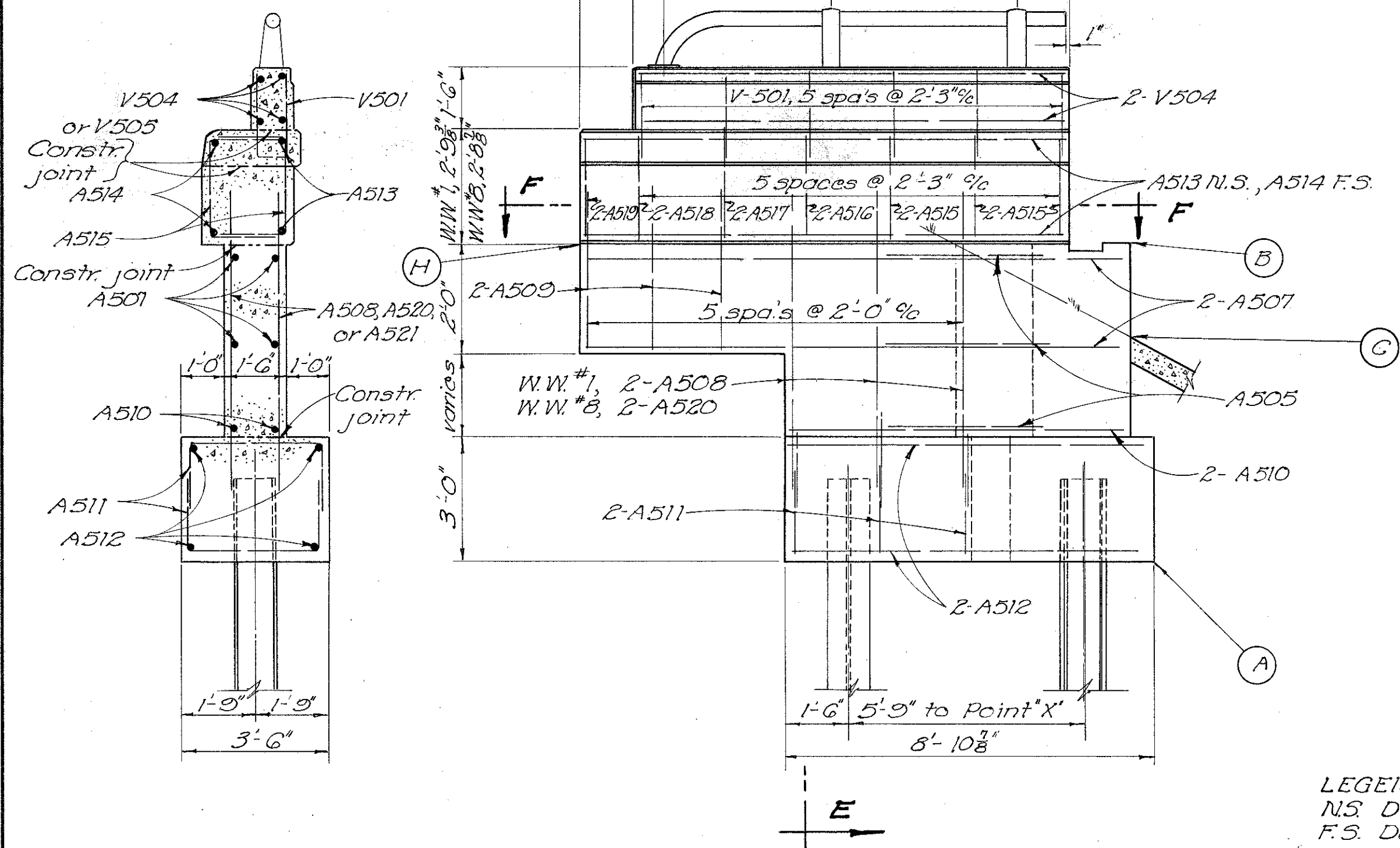
PLAN of VIEW A-A without parapet



PLAN of VIEW B-B without parapet

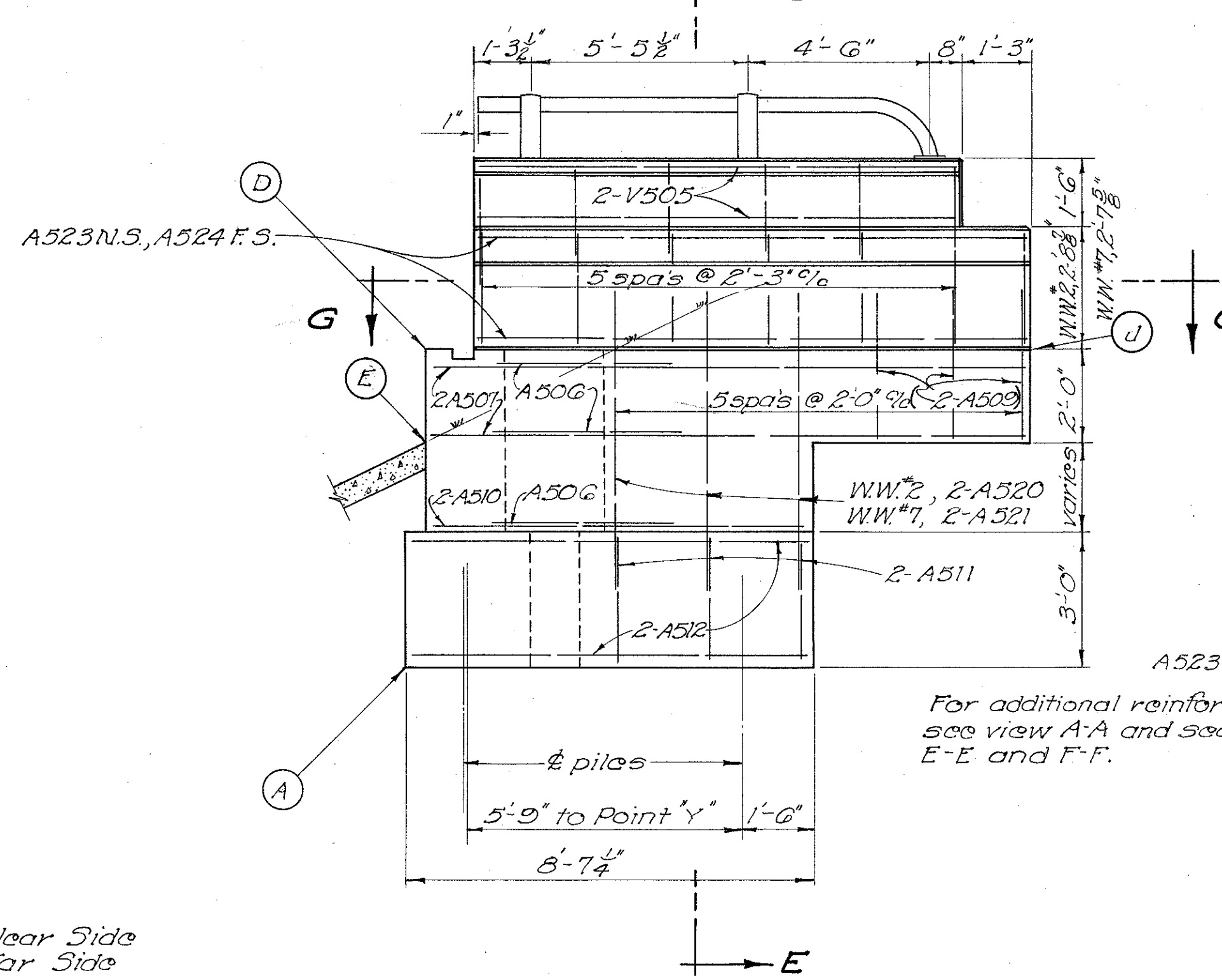


VIEW A-A - WINGWALLS NO. 4 & 5



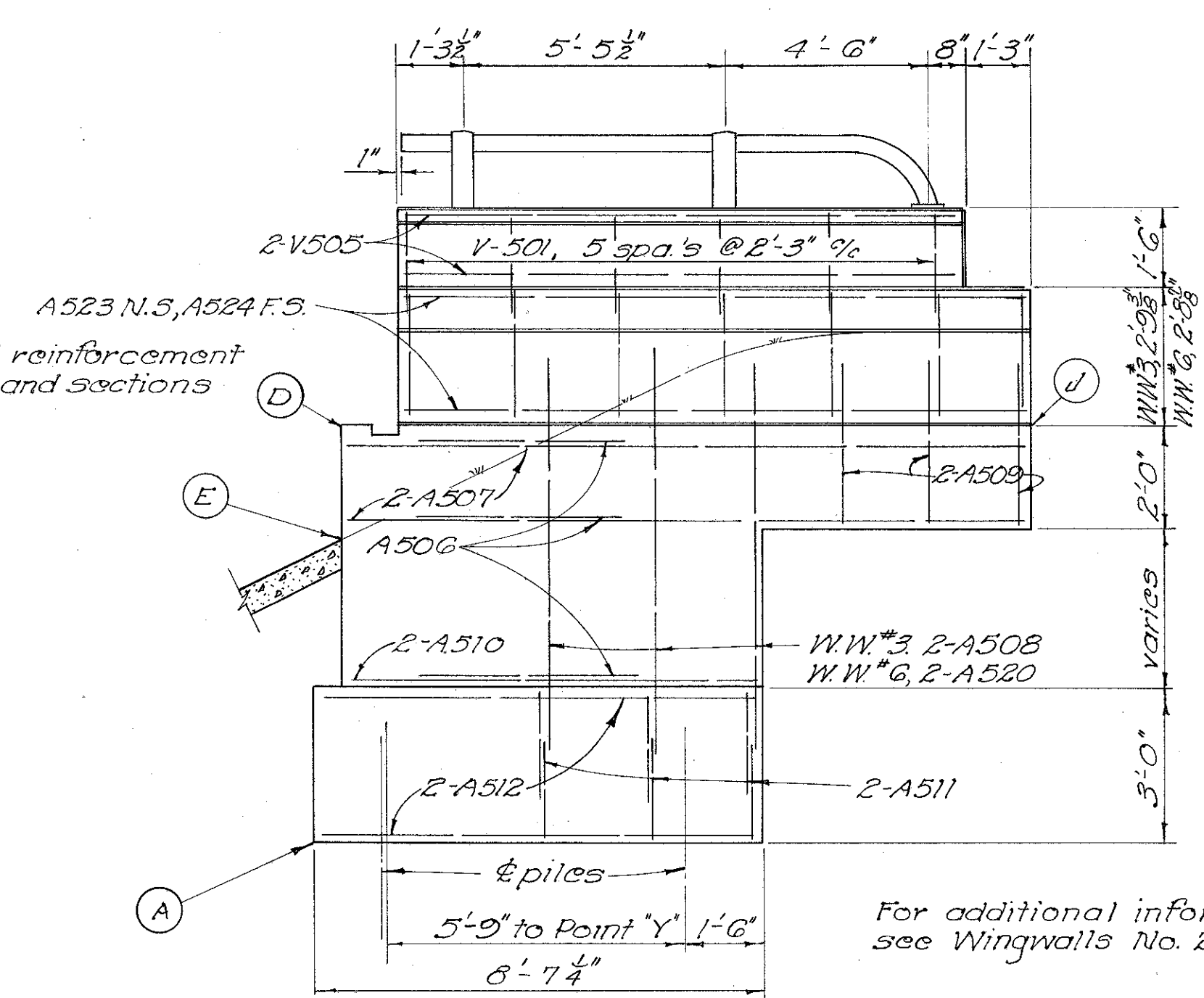
SECTION E-E

VIEW A-A - WINGWALLS NO. 1 & 8



VIEW B-B - WINGWALLS NO. 2 & 7

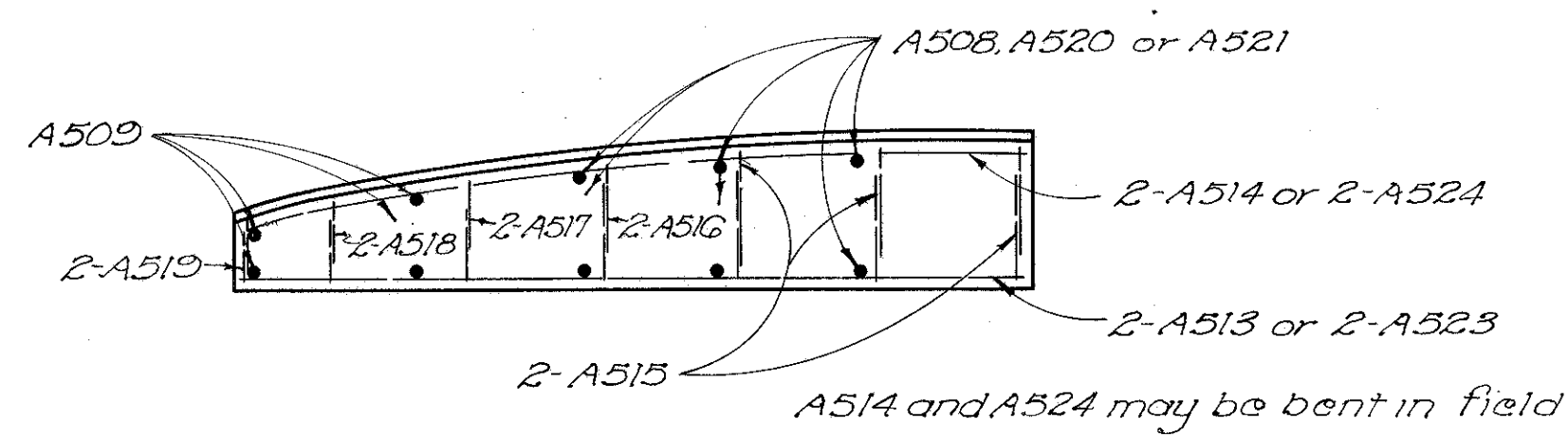
Section G-G similar to Section F-F



VIEW B-B - WINGWALLS NO. 3 & 6

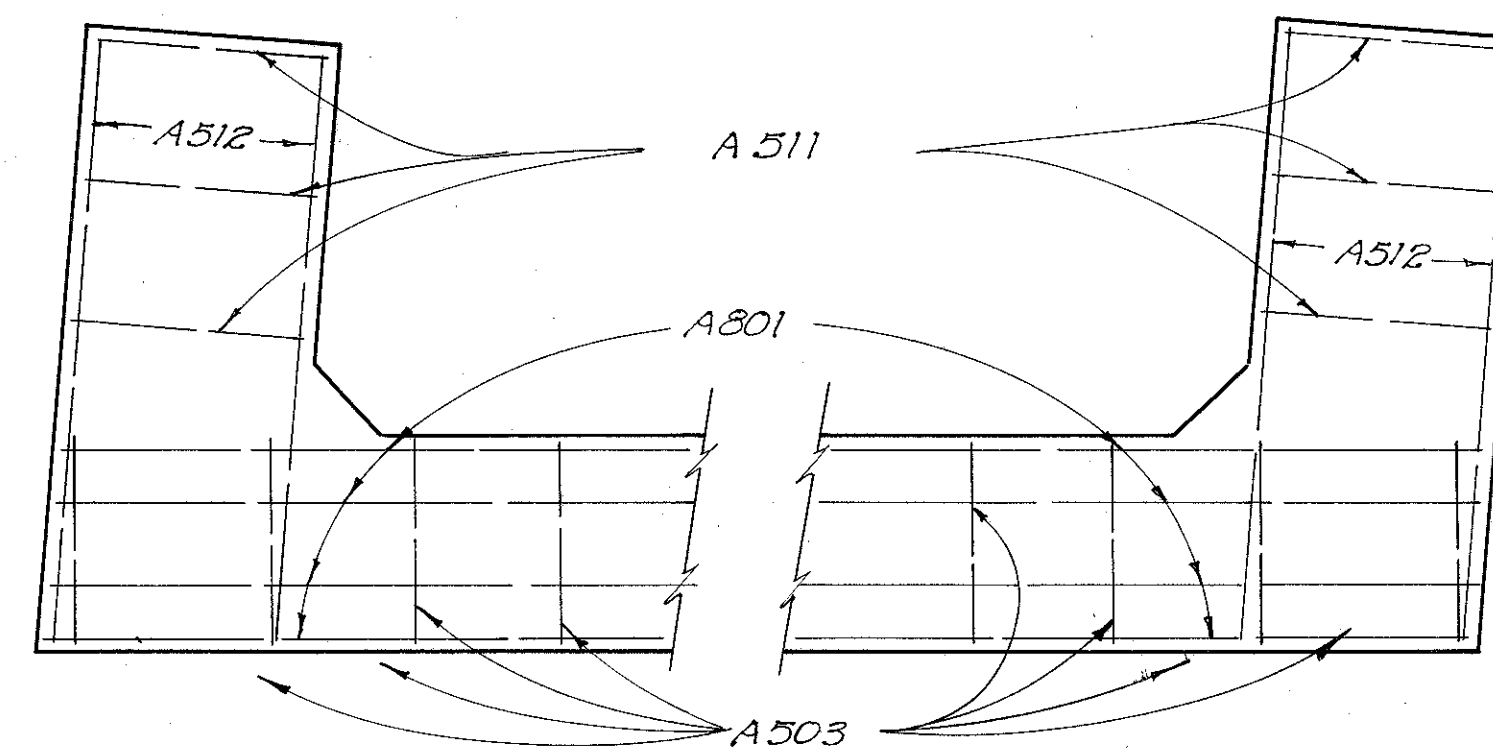
LEGEND:  
N.S. Denotes Near Side  
F.S. Denotes Far Side

NOTES:  
For Elevation Tables  
see Sheets No. 340 and No. 341  
All piles 12 BP 53.



SECTION F-F

(Section G-G similar)



FOOTING PLAN

DIMENSIONS			
Abutment	Wingwall	Dimension 'J'	Dimension 'K'
1	1	2'-1"	2 3/8"
	2	1'-9 3/4"	2 3/8"
2	3	1'-9 1/4"	1 3/4"
	4	2'-0 1/2"	1 3/4"
3	5	2'-1"	2 3/8"
	6	1'-10"	2 3/8"
	7	1'-9 3/4"	1 3/4"
4	8	2'-0 3/4"	1 3/4"

STATE OF OHIO  
DEPARTMENT OF HIGHWAYS  
DIVISION OF DESIGN AND CONSTRUCTION  
BUREAU OF BRIDGES

**WING WALL DETAILS**  
BRIDGE No LAK-2-0105 L&R  
OVER WORDEN RD  
LAKE COUNTY STA 155+41.40  
STA 156+72.91

DESIGNED	DRAWN	TRACED	CHECKED	REVIEWED	DATE	REVISED
G.P.P.	G.P.P.	R.H.D.	D.G.M.	B.F.G.	9/1/54	12-26-58