

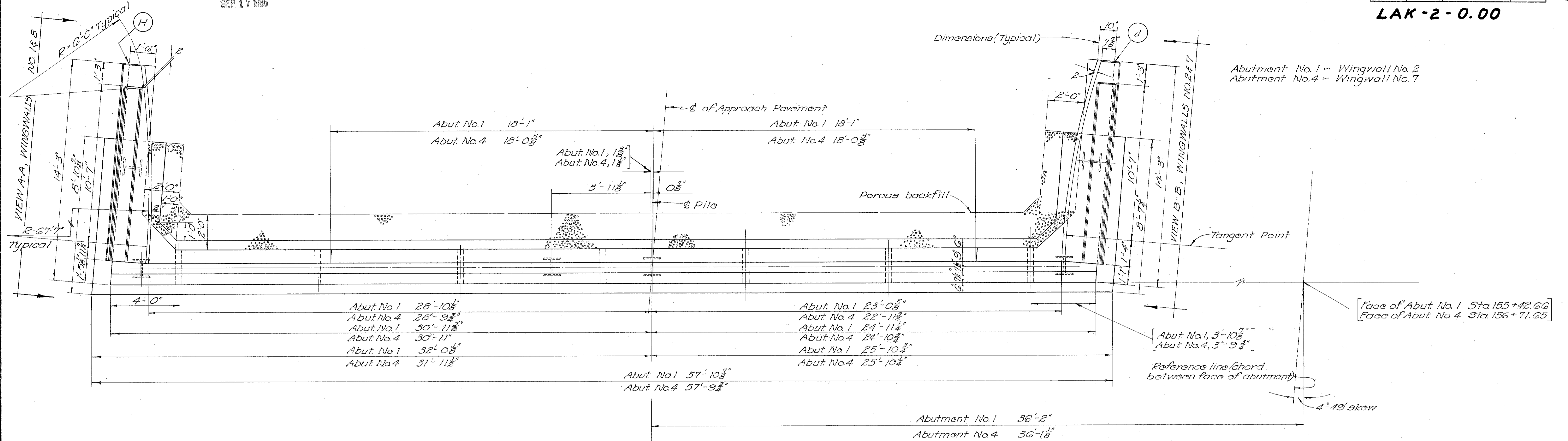
Abutment No. 1 - Wingwall No. 1
Abutment No. 4 - Wingwall No. 8

MICROFILMED
SEP 17 1986

FED. RD. DIVISION	STATE	PROJECT
2	OHIO	

340
394

LAK-2-0.00

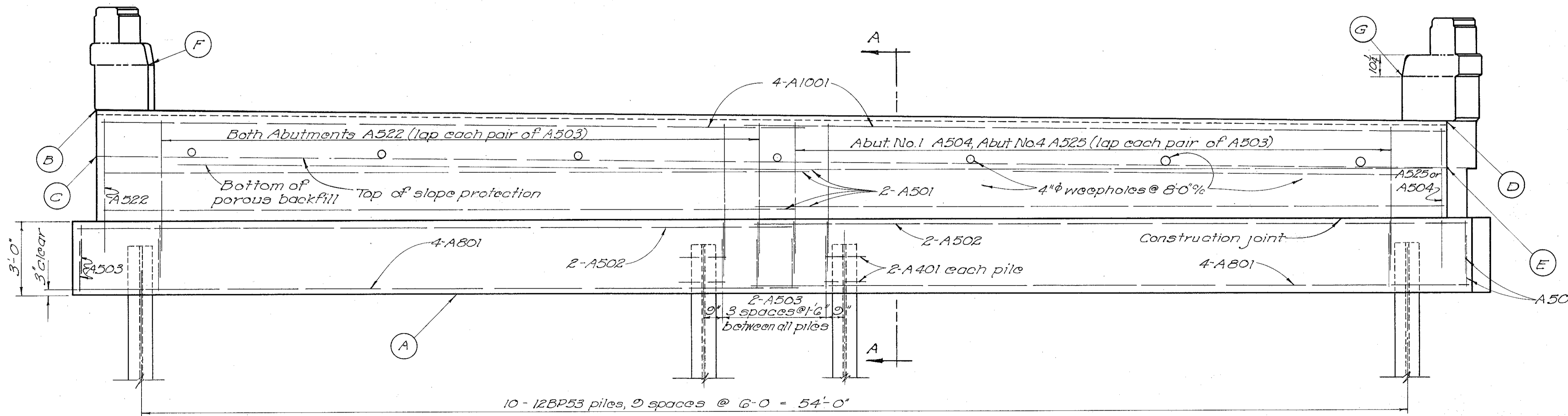


PLAN

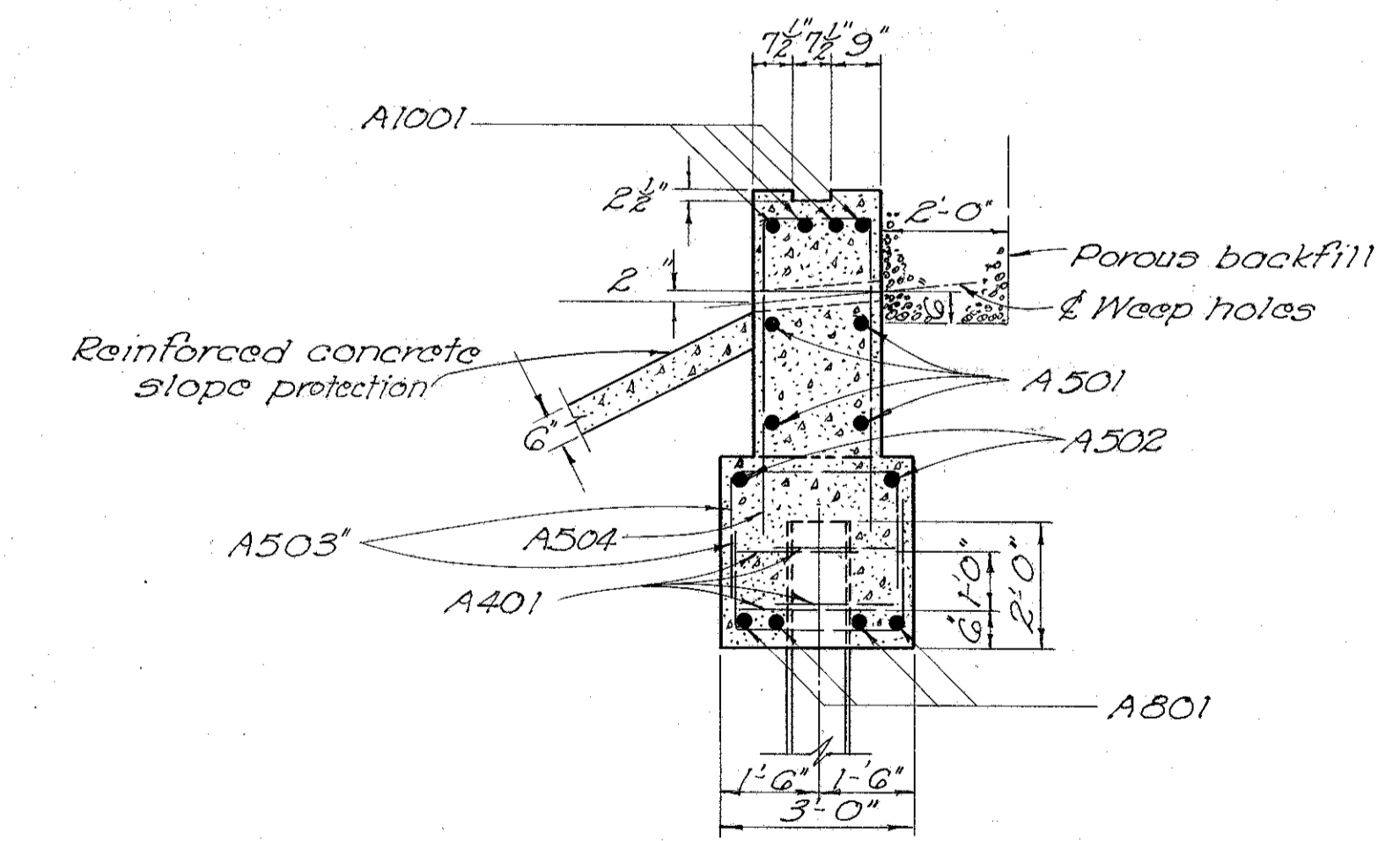
(Wing Walls to be parallel to Reference line extended)

ELEVATIONS									
Abutment	A	B	C	D	E	F	G	H	J
1	650.76	658.16	656.16	657.52	655.48	660.08	659.40	658.19	657.56
4	649.25	655.97	653.97	657.28	654.64	657.85	659.06	655.89	657.20

For location of elevations "H" and "J" see "Wing Wall Details"



ELEVATION



SECTION A-A

FOR DETAILS not shown see "Wing Wall Details" Sheet No. 342

PROVIDE... (text partially obscured)

POROUS BACKFILL: 2'-0" thick shall extend up to the under side of the approach slab and pavement subbase, and along abutment and wingwalls to the limits shown on the plan. Excavation therefor, in excess of that required for the construction of the abutments, shall be considered as paid for in the bid price per cu.yd. paid for porous backfill.

STATE OF OHIO
DEPARTMENT OF HIGHWAYS
DIVISION OF DESIGN AND CONSTRUCTION
BUREAU OF BRIDGES

**DETAILS OF ABUTMENTS 1 & 4
BRIDGE No. LAK-2-0105 L&R
OVER WORDEN RD**

LAKE COUNTY STA. 155+41.40
STA. 156+72.91

DESIGNED	DRAWN	TRACED	CHECKED	REVIEWED	DATE	REVISED
gmp	gmp	R.H.D.	D.G.M.	B.F.G.	12-26-58	5-7-59