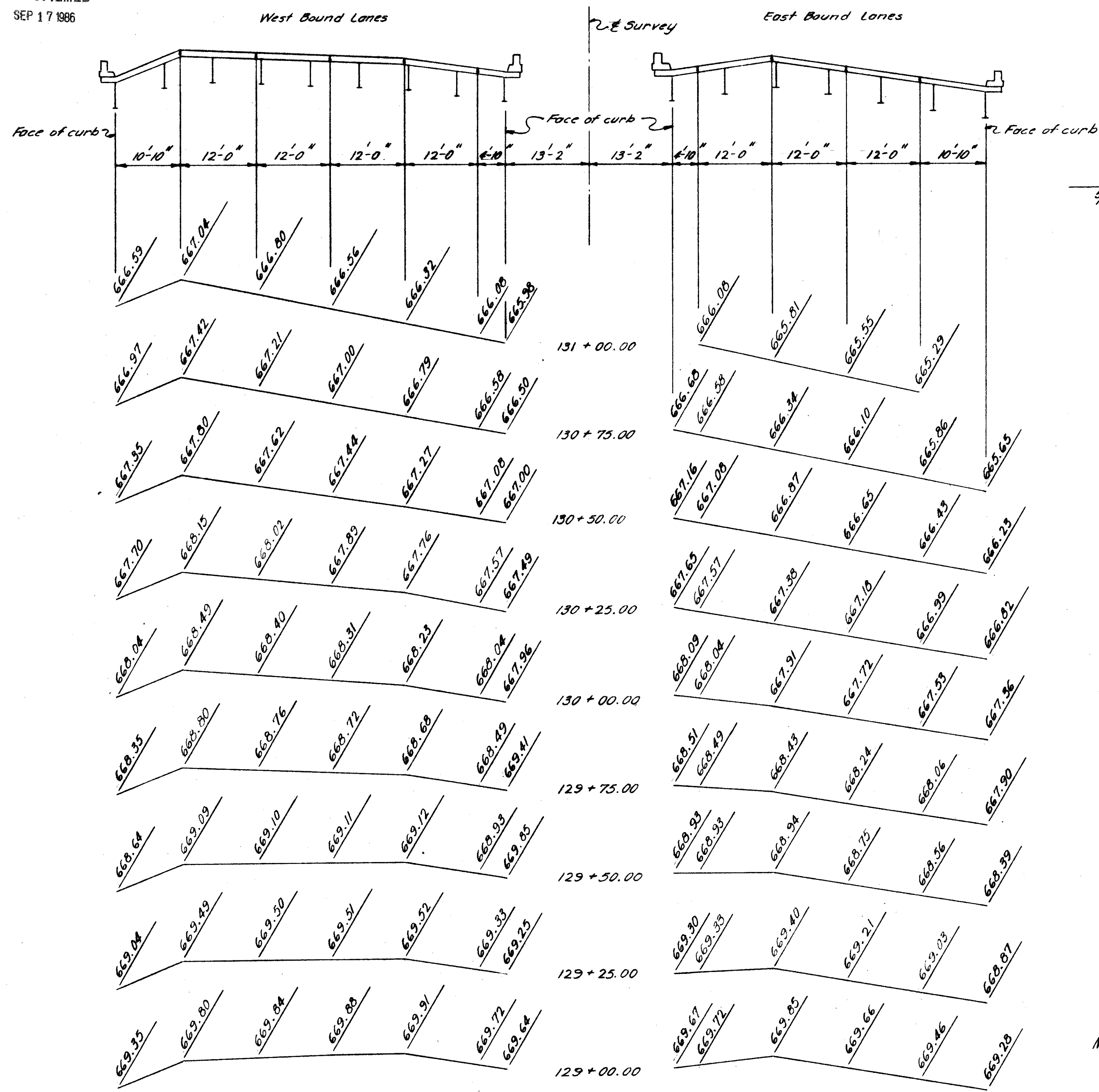


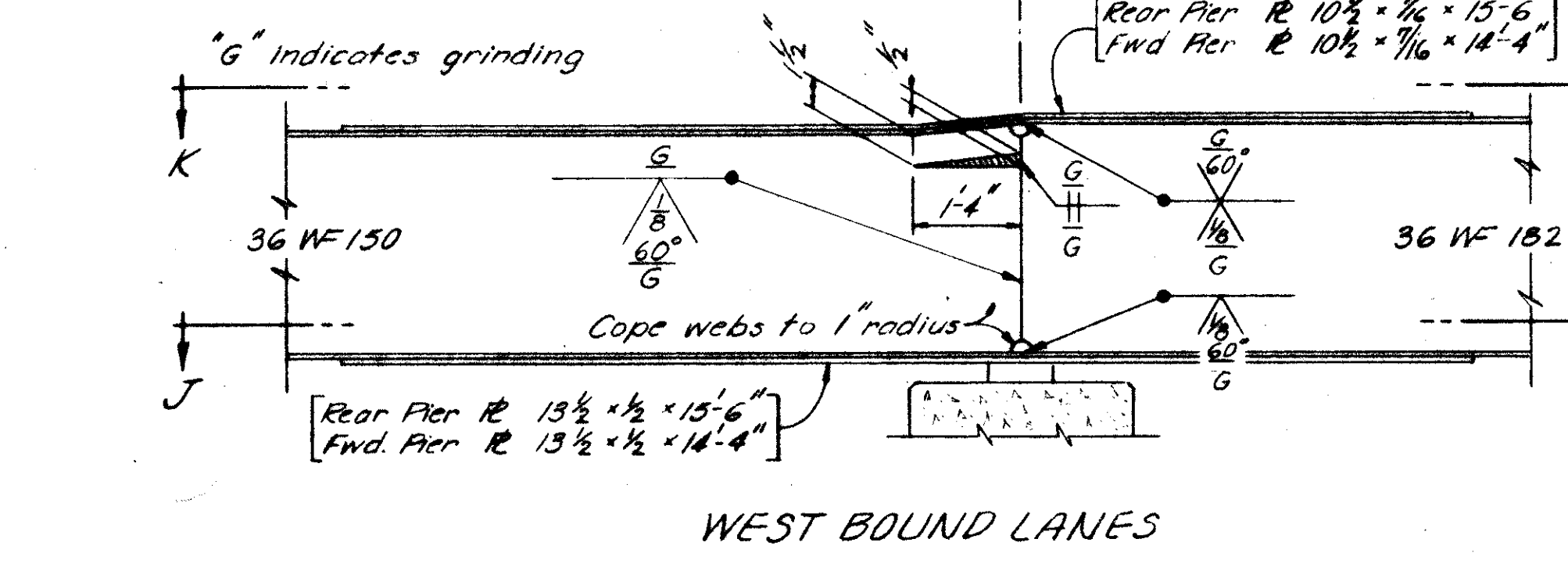
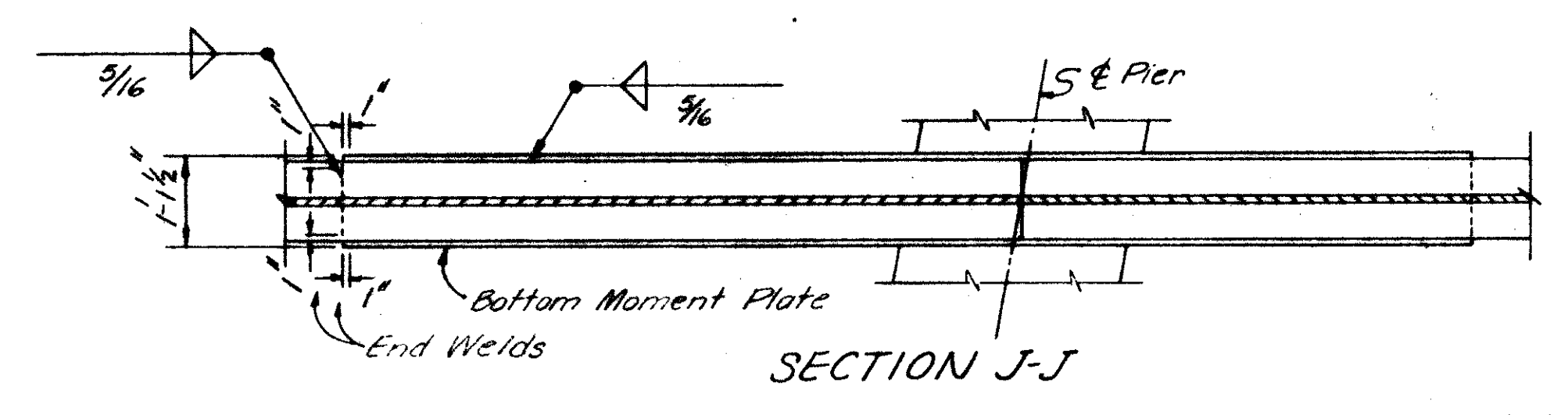
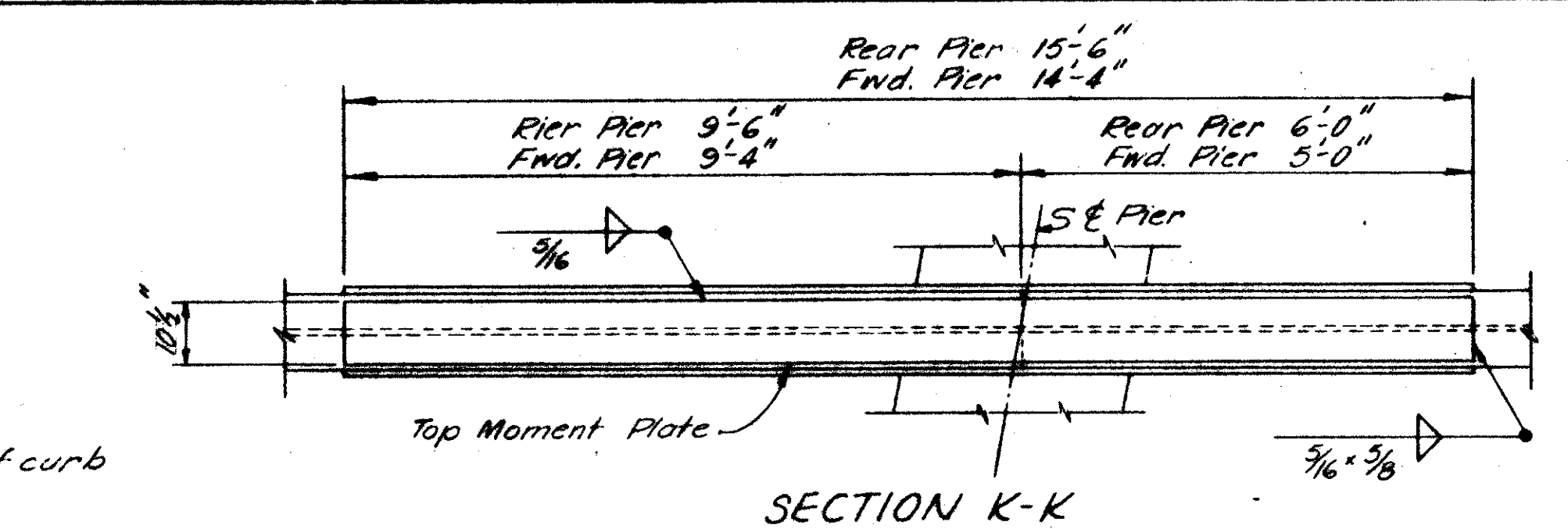
MICROFILMED
SEP 17 1986

FED. RD. DIVISION	STATE	PROJECT	334 394
2	OHIO		

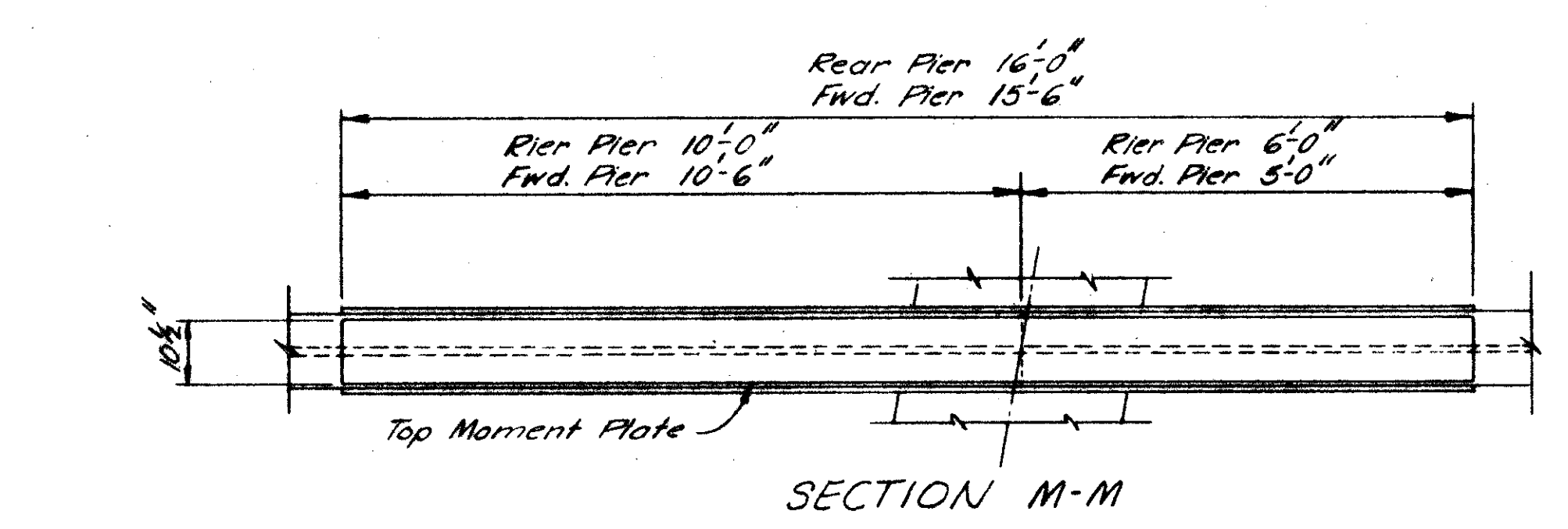
LAK-2-0.00



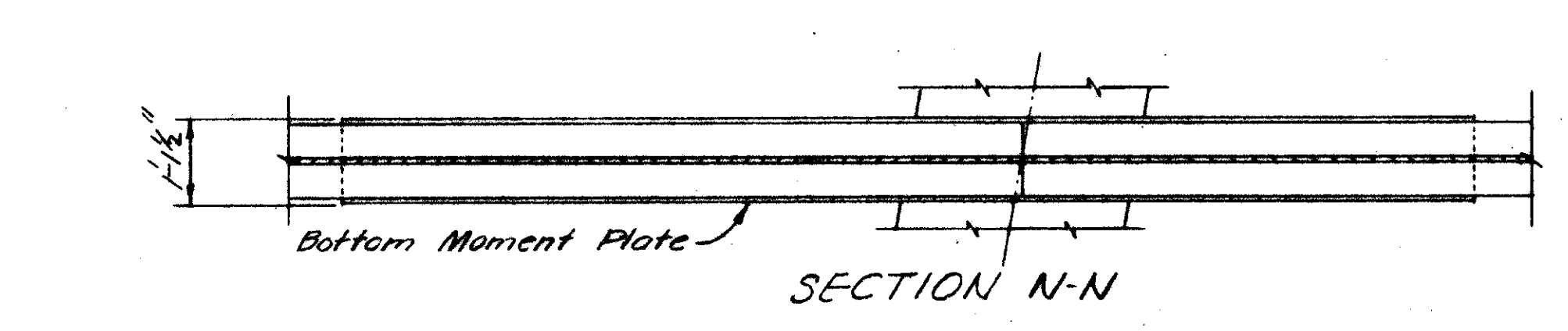
ELEVATIONS AT TOP OF SLAB



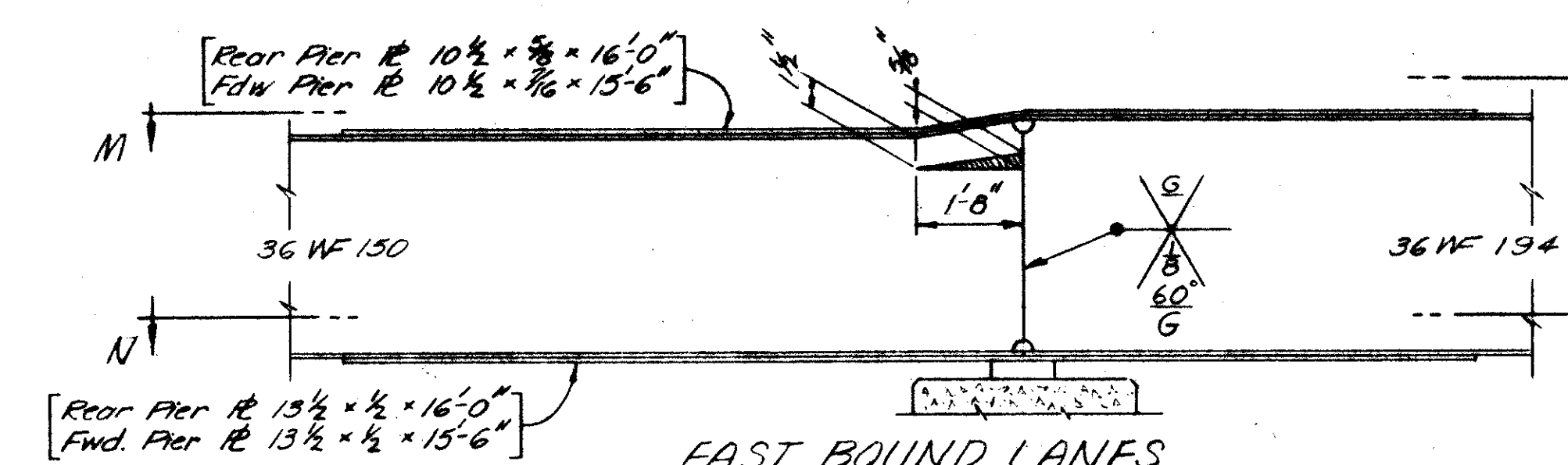
WEST BOUND LANES



SECTION M-M

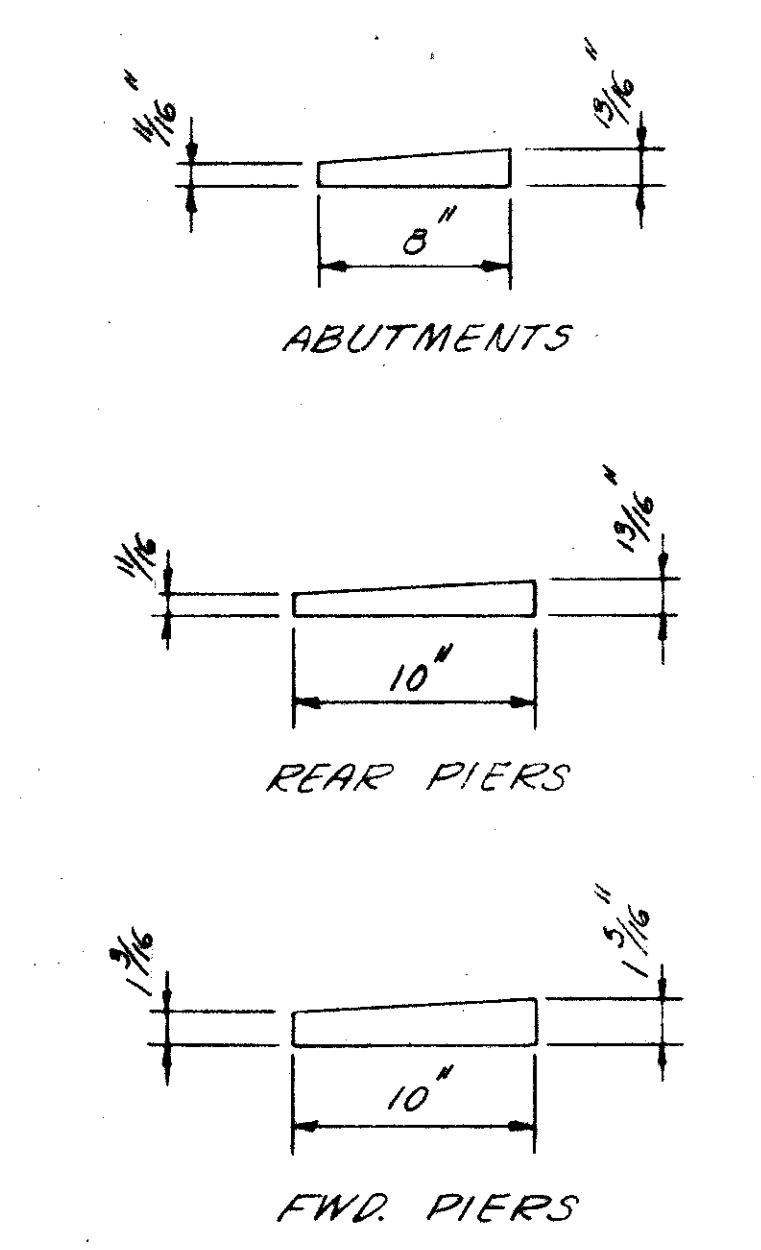


SECTION N-N



EAST BOUND LANES
For additional details see "WEST BOUND LANES"

BEAM SPLICE DETAILS



DETAIL OF BEVELED SOLE PLATES

1. Raise ends of beams $\frac{3}{8}$ " at Forward Abutments & $\frac{1}{8}$ " at Rear Abutments.
2. Butt-weld beam flanges and webs at piers using the following sequence: make one pass on each flange, then one on the web; repeat until welds are completed.
3. Weld top and bottom moment plates.
4. Lower ends of beams.

STATE OF OHIO DEPARTMENT OF HIGHWAYS DIVISION OF DESIGN AND CONSTRUCTION BUREAU OF BRIDGES					
SUPERSTRUCTURE DETAILS					
BRIDGE NO. LAK-2-0057 L&R OVER RAMP					
LAKE COUNTY STA 129+13.72 130+79.28					
DESIGNED	DRAWN	TRACED	CHECKED	REVIEWED	DATE
E.B.L.	R.M.		R.H.N.	BFG	5-11-59
REVISED 11-19-58					