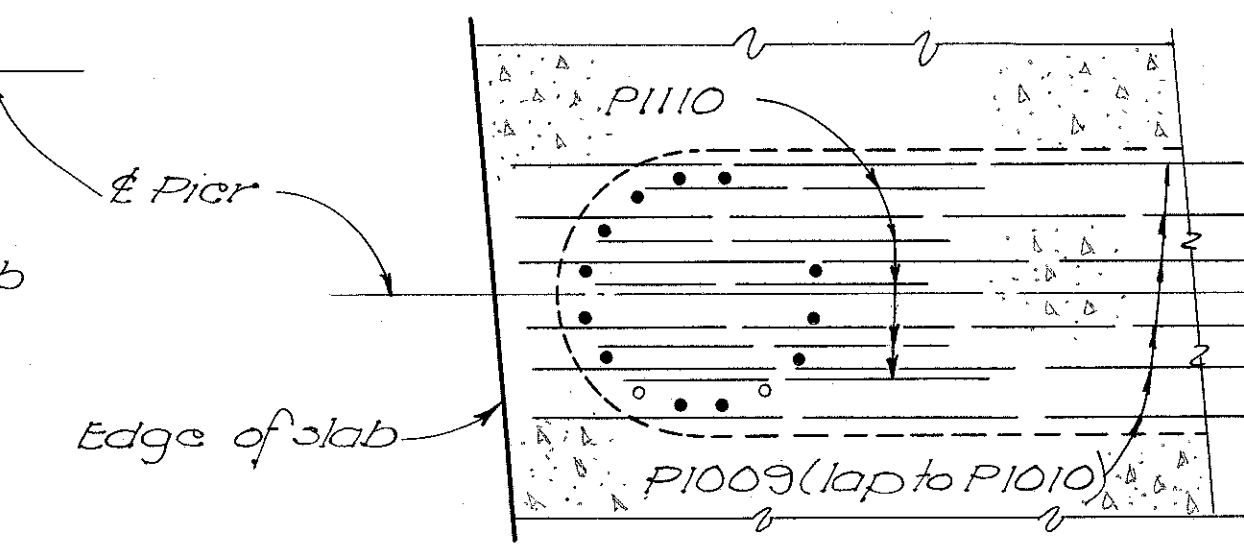
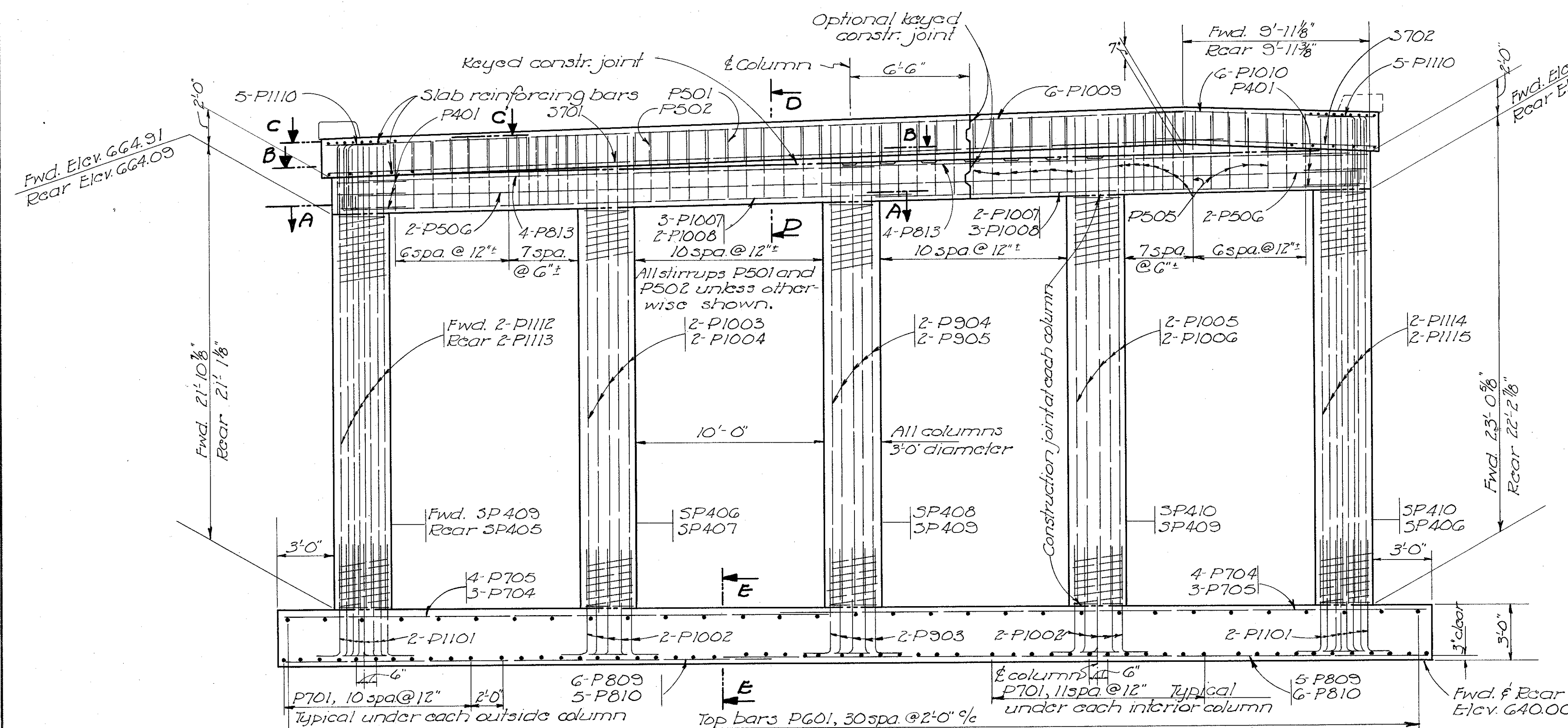


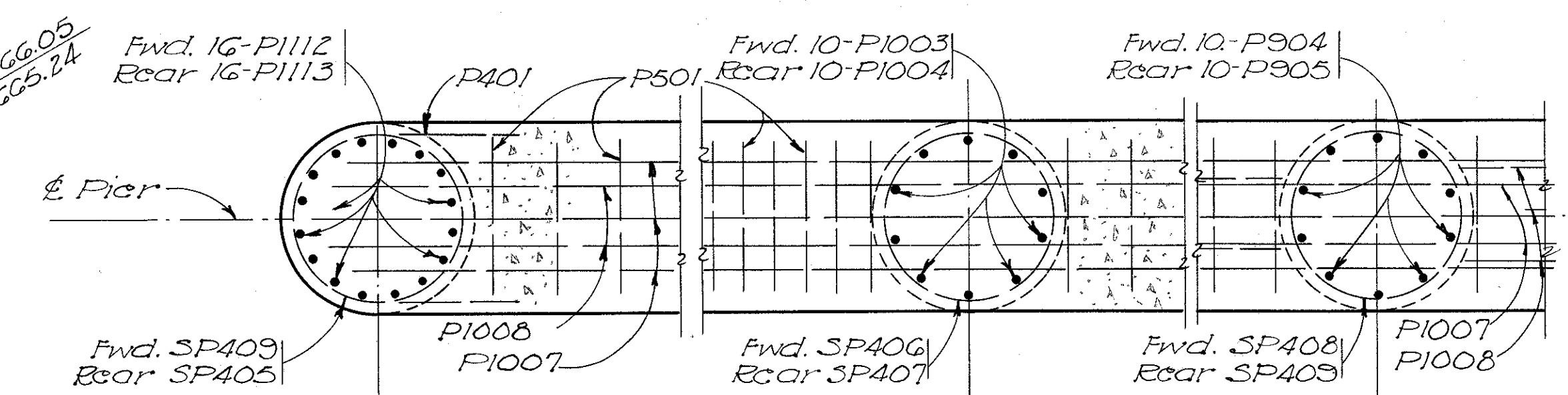
**EAST BOUND BRIDGE PIER PLAN**



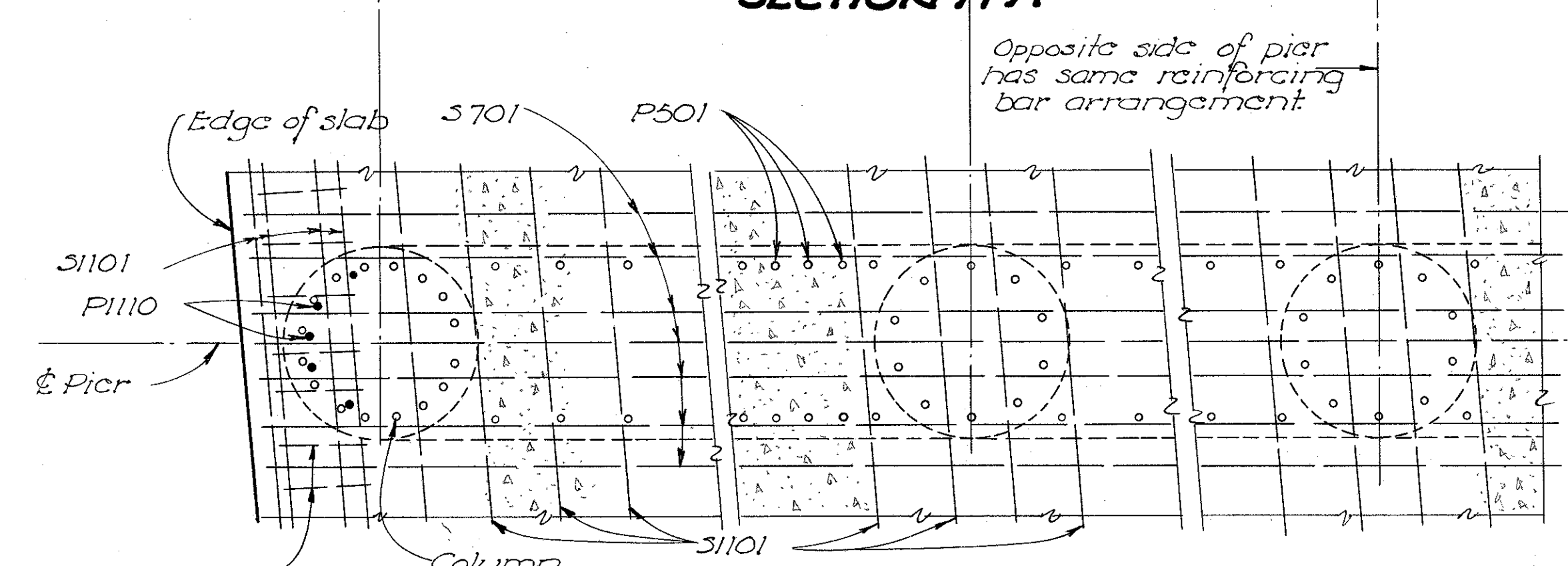
**SECTION C-C**



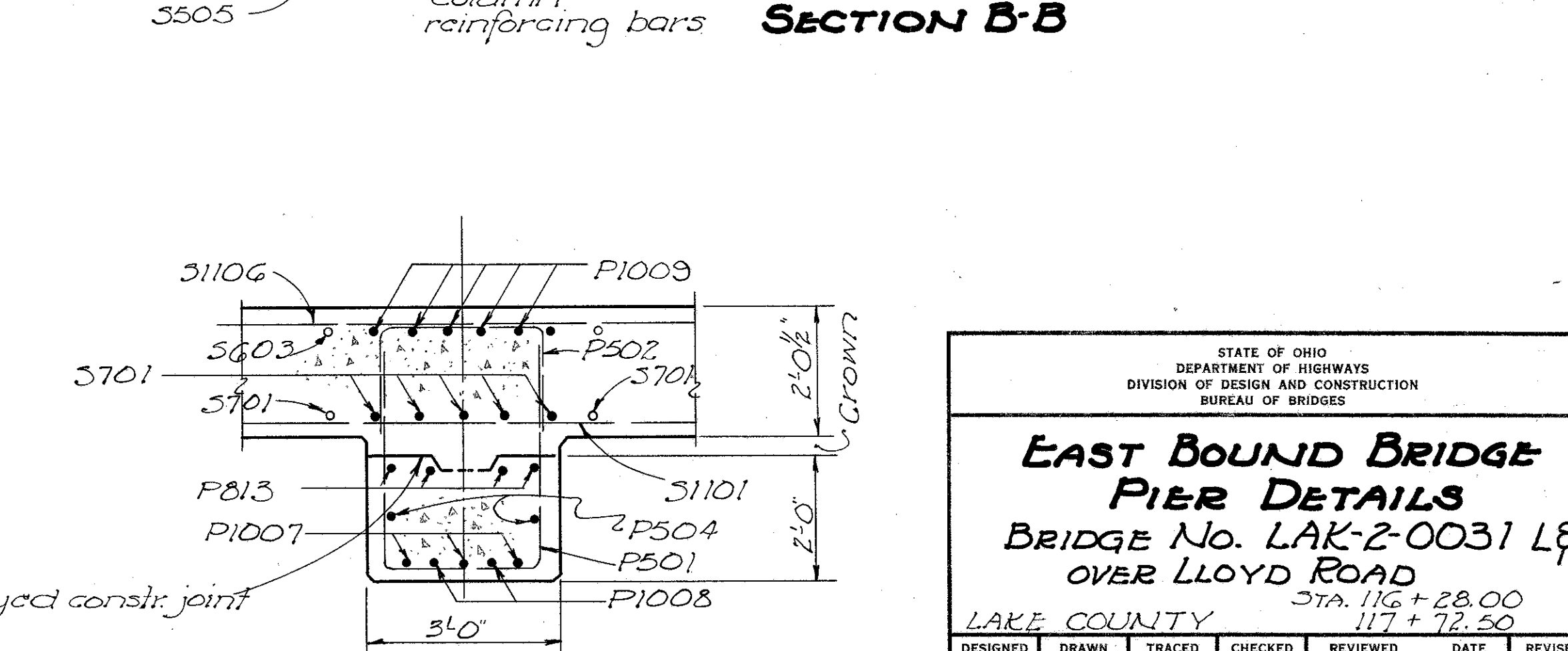
**ELEVATION**



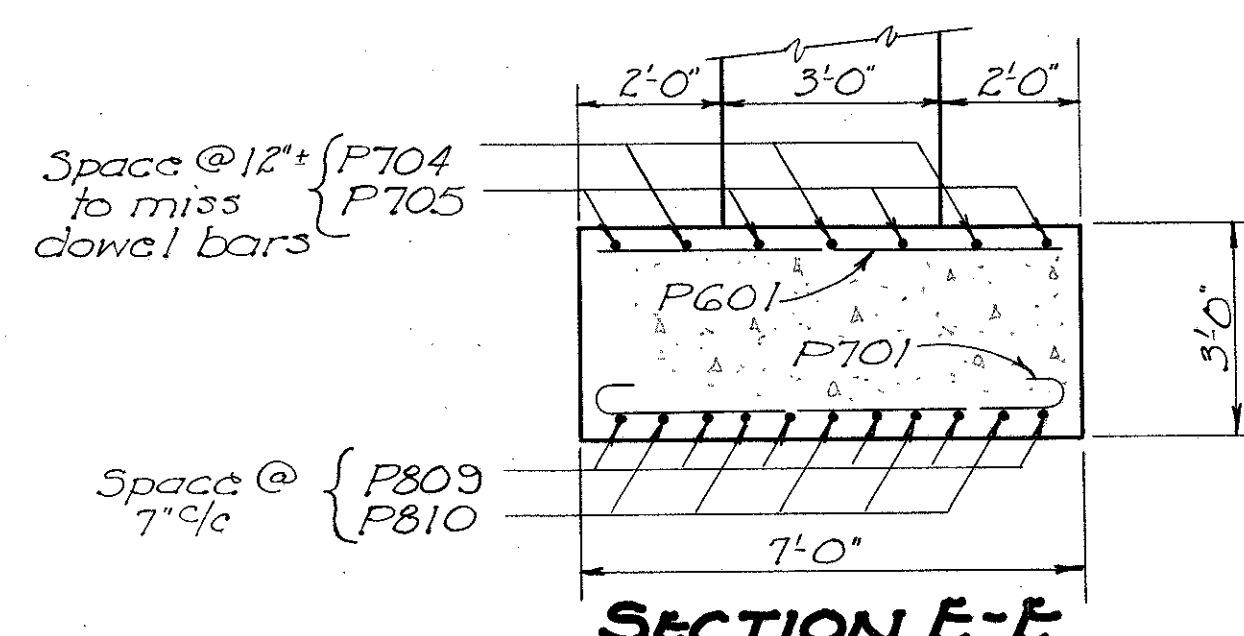
**SECTION A-A**



**SECTION B-B**



**SECTION D-D**



**SECTION E-E**

**NOTES**

**CONCRETE:** Footing shall be Class "E", Cap and columns shall be Class "C".

**REINFORCING BARS** in the end columns shall be carefully placed as shown in the details so that cap and slab reinforcing bars may pass between them without interference.

"Fwd." denotes Forward Pier.  
"Rear" denotes Rear Pier.

STATE OF OHIO DEPARTMENT OF HIGHWAYS DIVISION OF DESIGN AND CONSTRUCTION BUREAU OF BRIDGES					
<b>EAST BOUND BRIDGE PIER DETAILS</b>					
BRIDGE No. LAK-2-0031 L&R OVER LLOYD ROAD					
LAKE COUNTY STA. 116+28.00 117+72.50					
DESIGNED	DRAWN	TRACED	CHECKED	REVIEWED	DATE
J. J.	J. J.	Ricc	CPD	A. J.	2-18-59