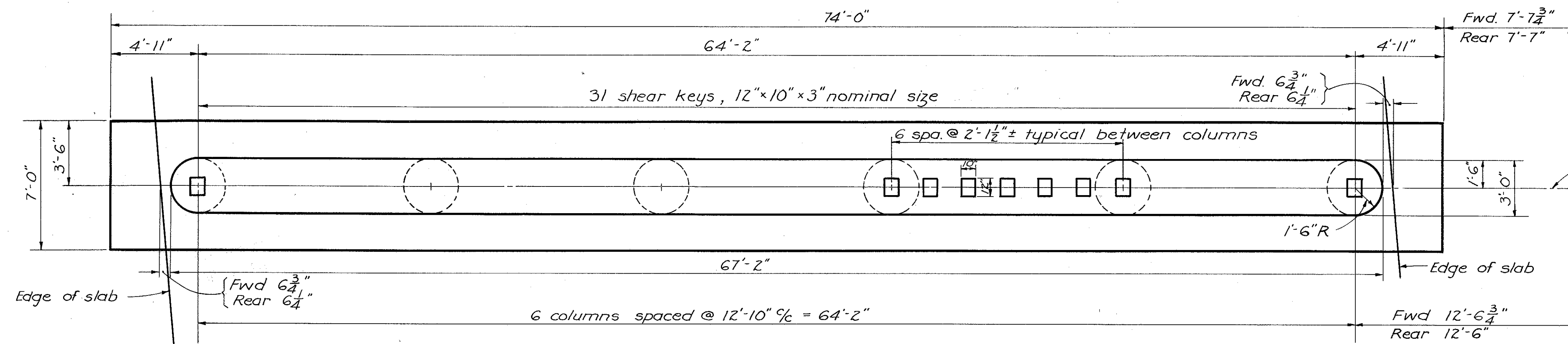


MICROFILMED
SEP 17 1966

FED. RD. DIVISION	STATE	PROJECT
2	OHIO	

321
394

LAK-2-0.00

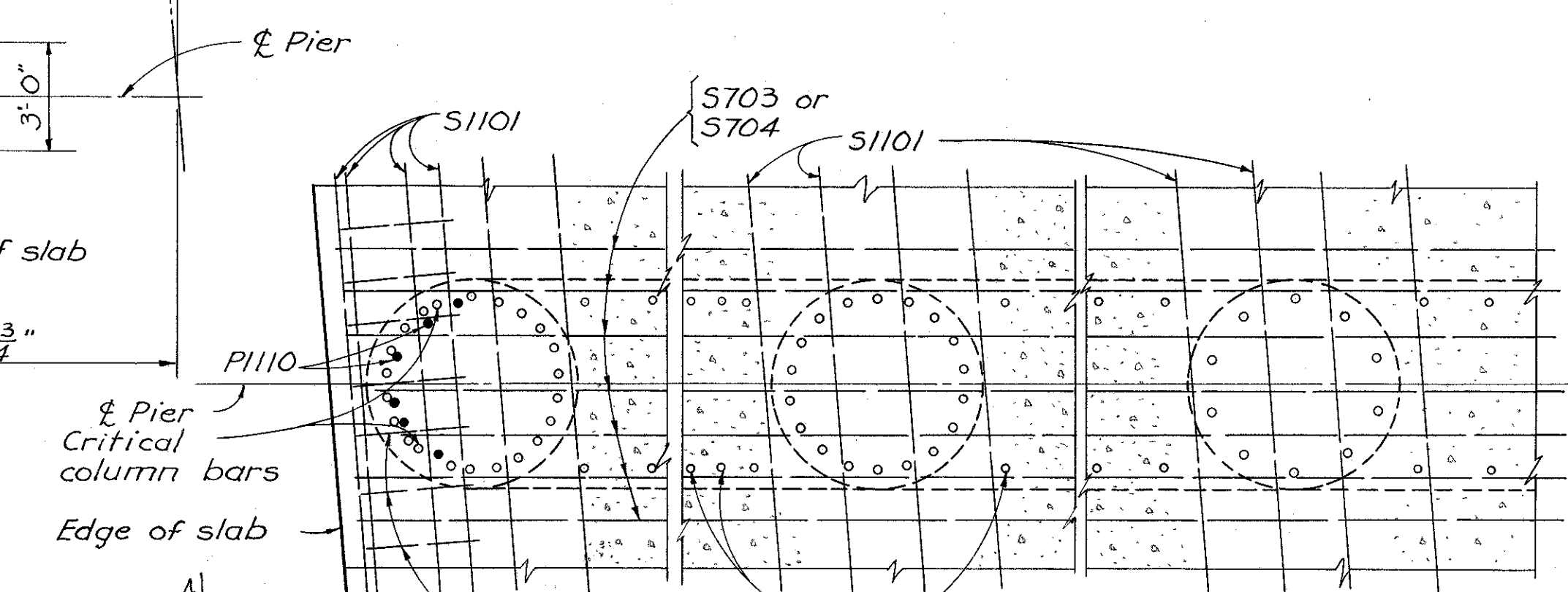


WEST BOUND BRIDGE PIER PLAN

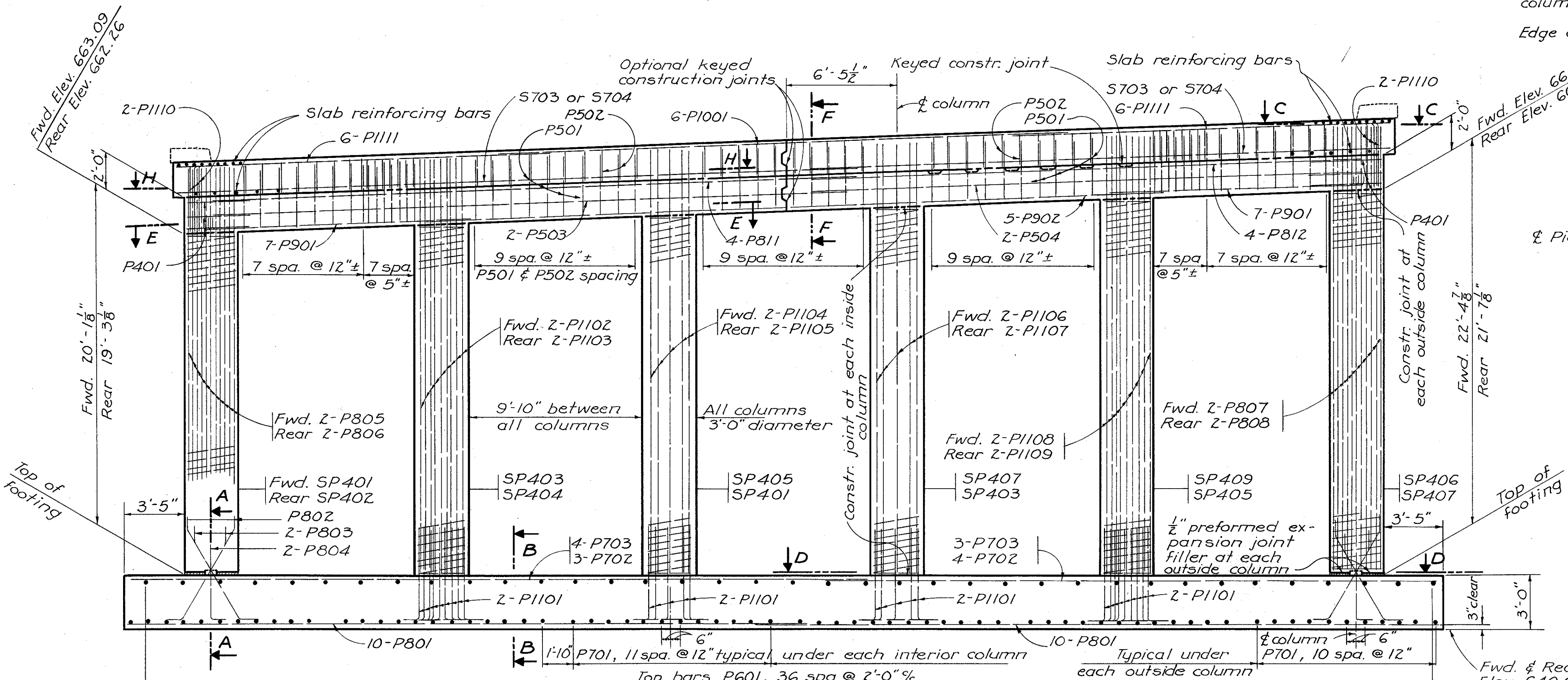
Reference line (chord between face of abutments)

NOTES

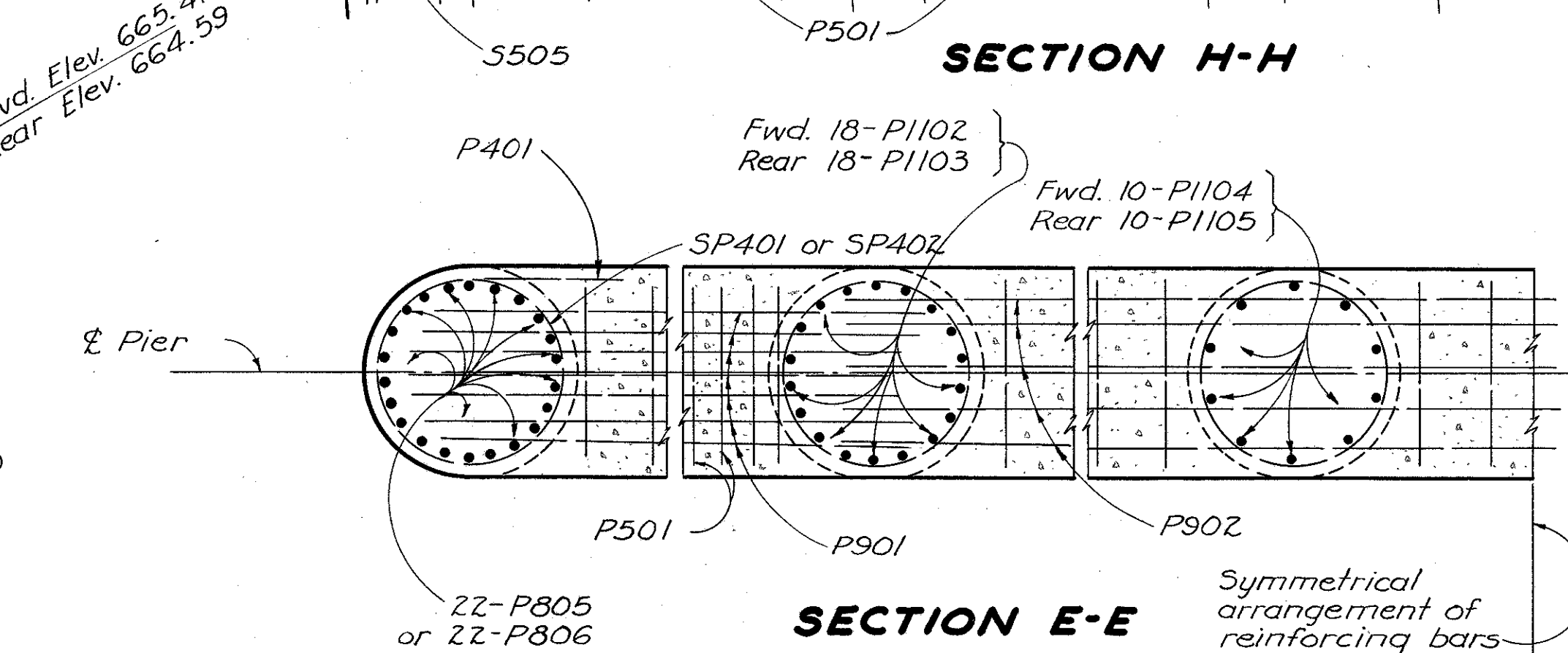
All notes for East Bound Bridge Piers apply to West Bound Bridge Piers.



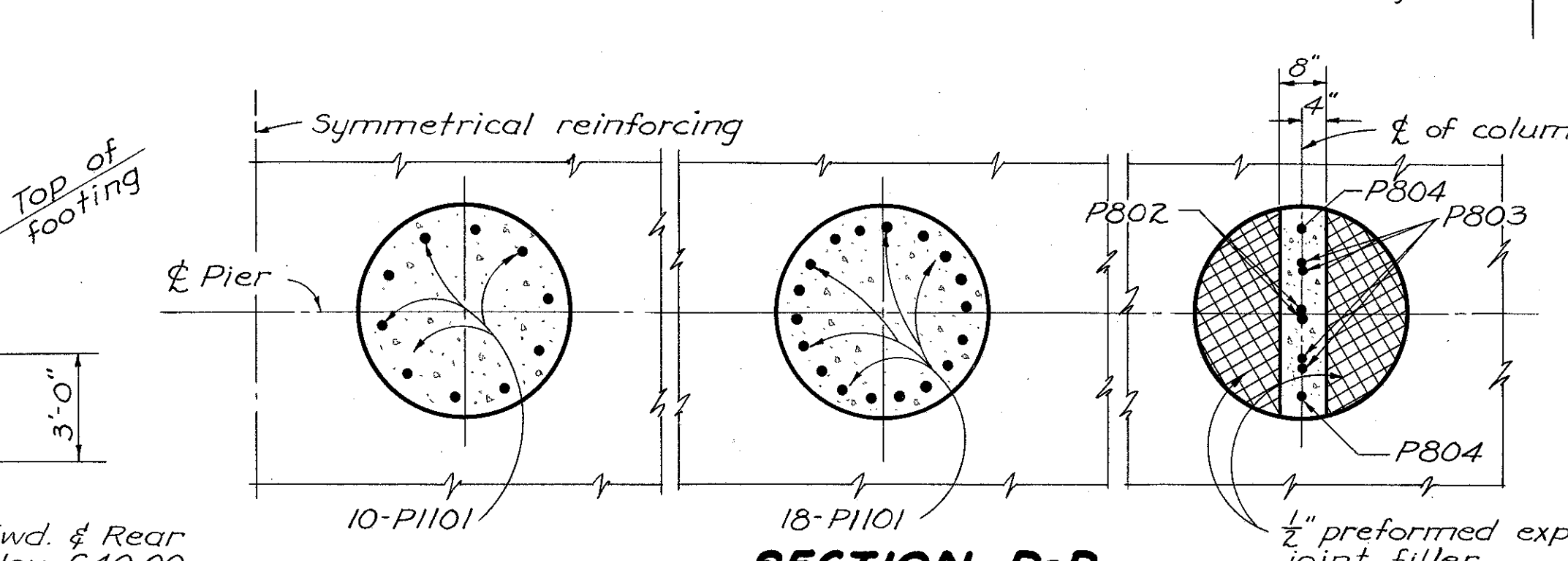
SECTION H-H



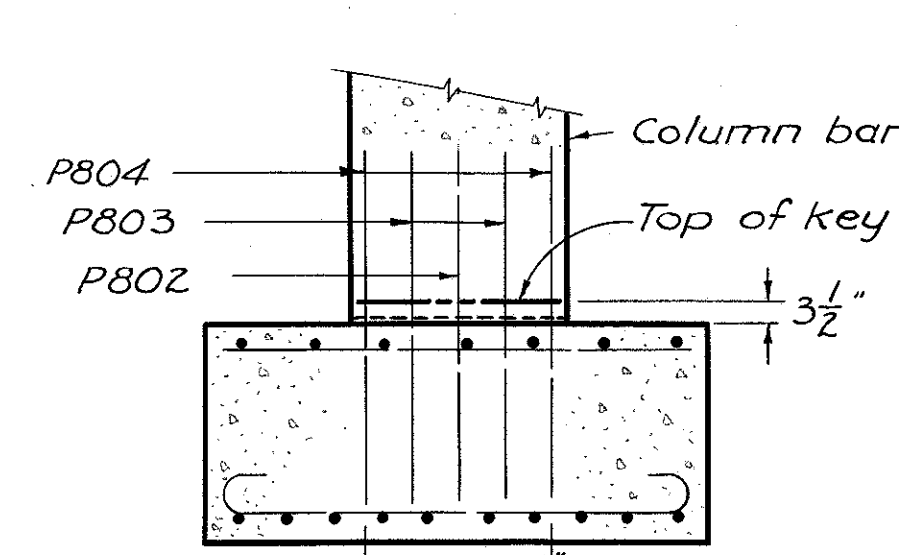
PIER ELEVATION



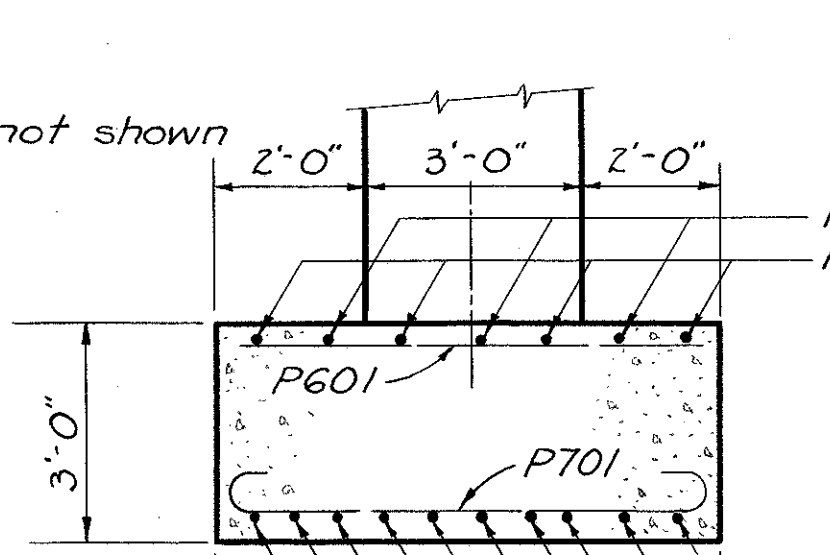
SECTION E-E



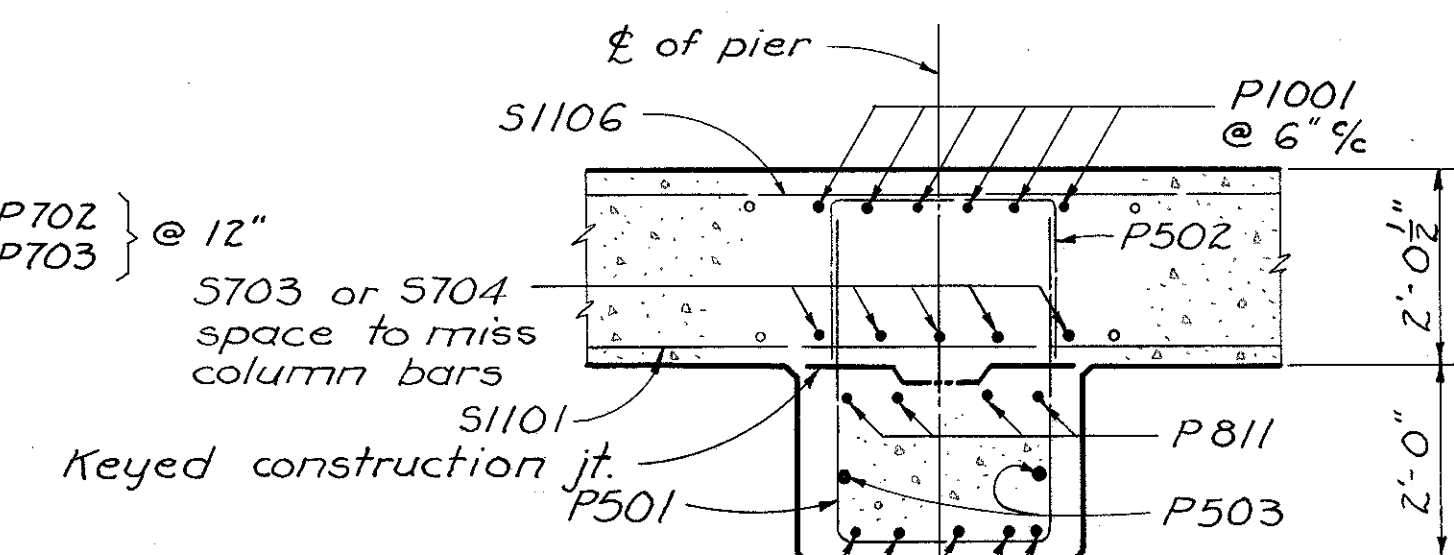
SECTION D-D



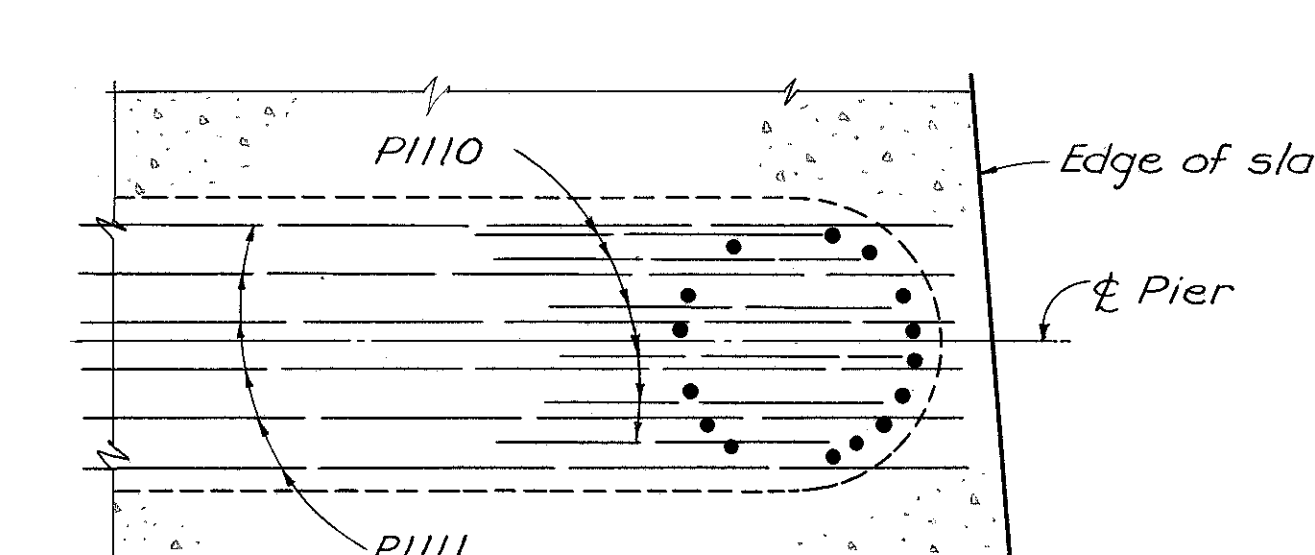
SECTION A-A
Detail of footing dowel bars at outside columns



SECTION B-B



SECTION F-F



SECTION C-C
Slab reinforcing bars not shown

STATE OF OHIO DEPARTMENT OF HIGHWAYS DIVISION OF DESIGN AND CONSTRUCTION BUREAU OF BRIDGES						
WEST BOUND BRIDGE						
PIER DETAILS						
BRIDGE NO. LAK-2-0031/ER						
OVER LLOYD ROAD						
LAKE COUNTY STA. 116+28.00						
117+72.50						
DESIGNED	DRAWN	TRACED	CHECKED	REVIEWED	DATE	REVISED
J.G.	J.G.	J.G.W.	C.P.D.	B.F.G.	2-18-59	