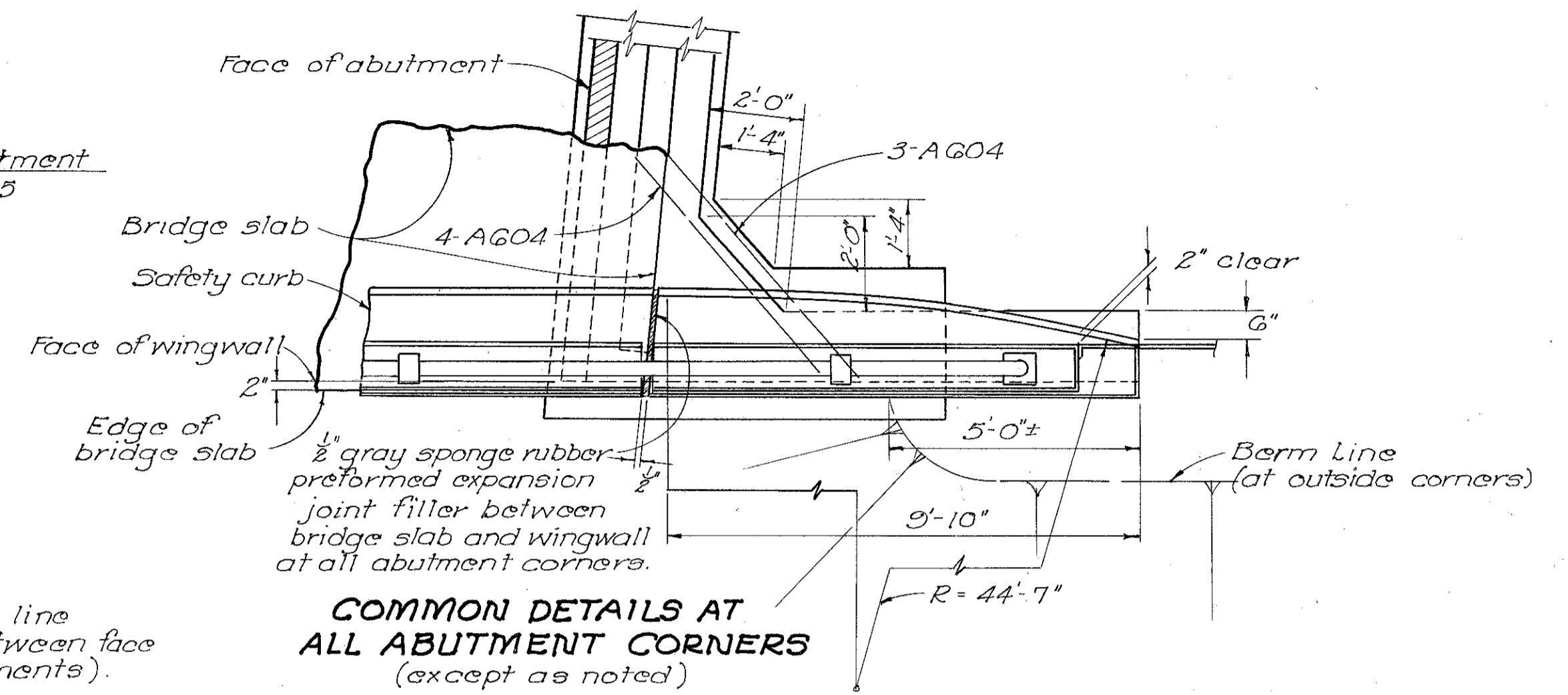
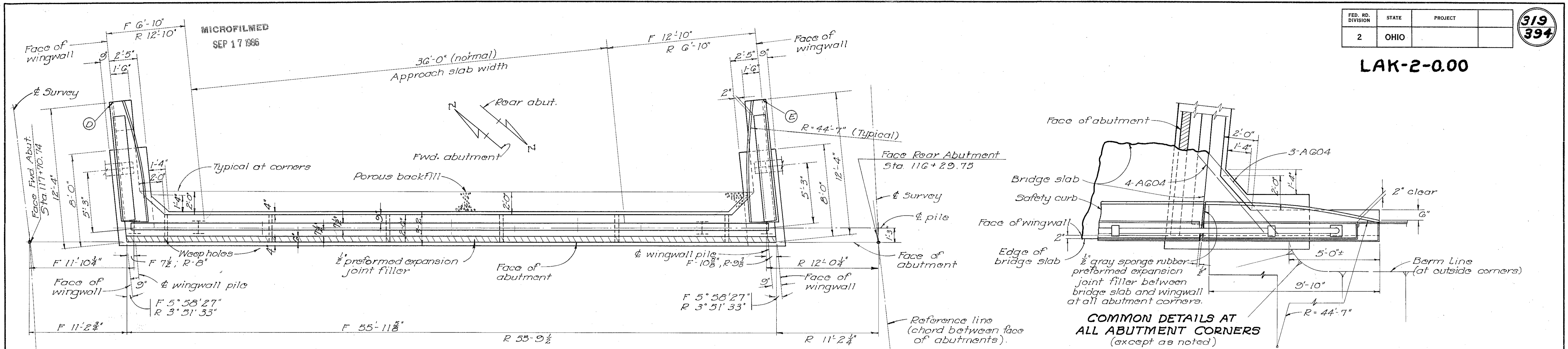
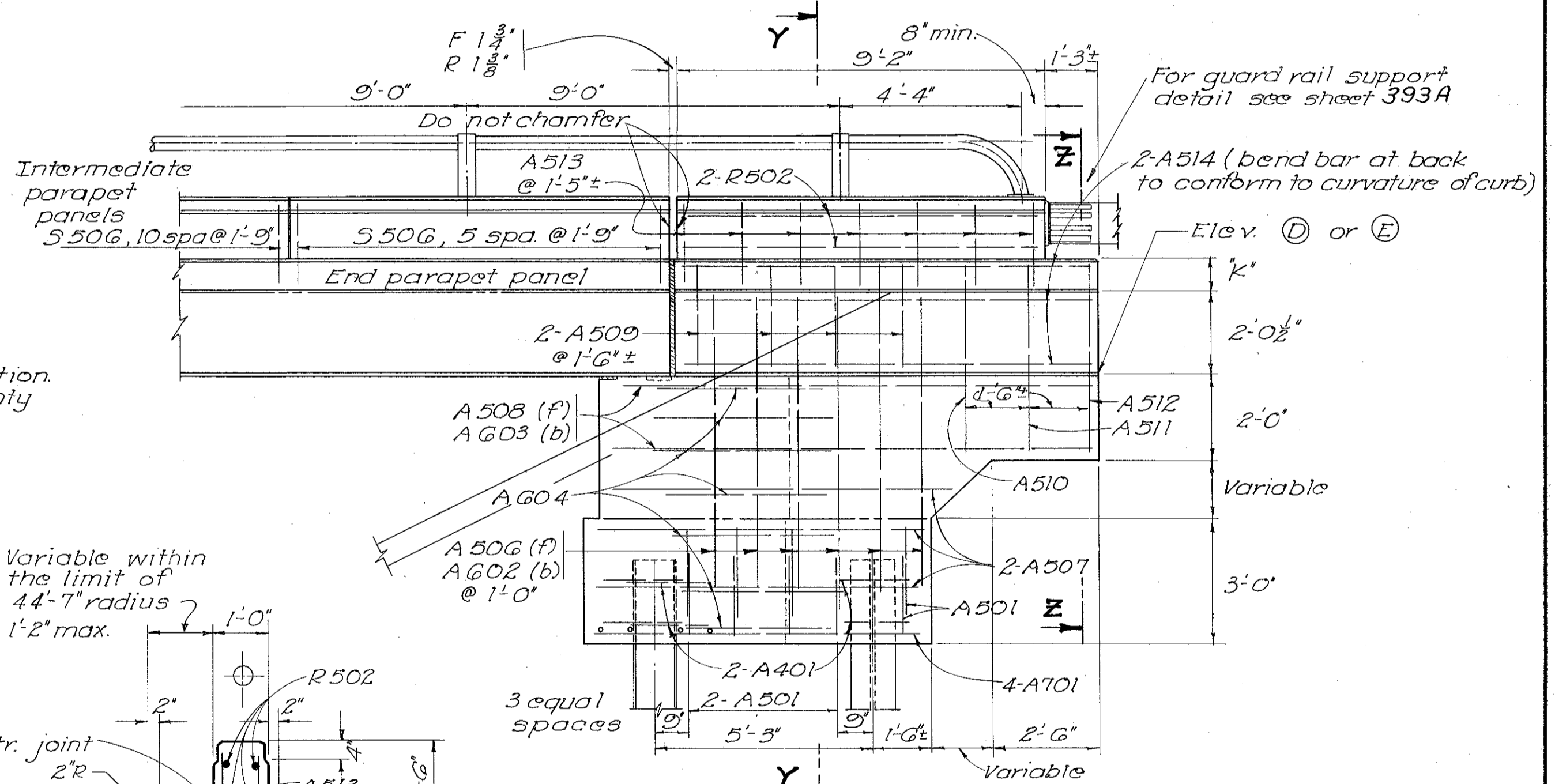
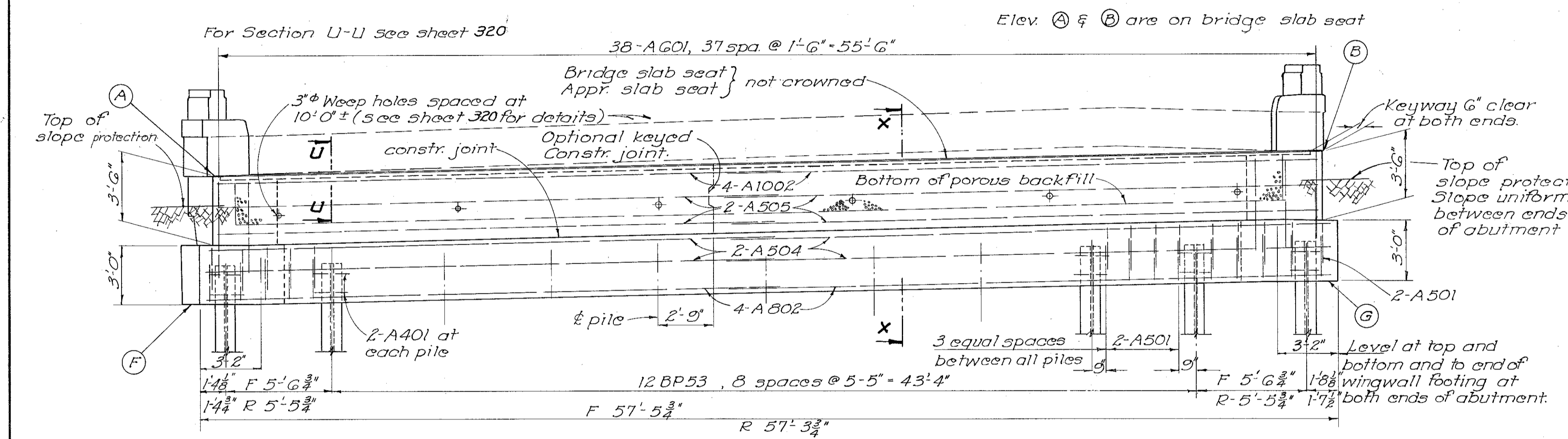


LAK-2-0.00

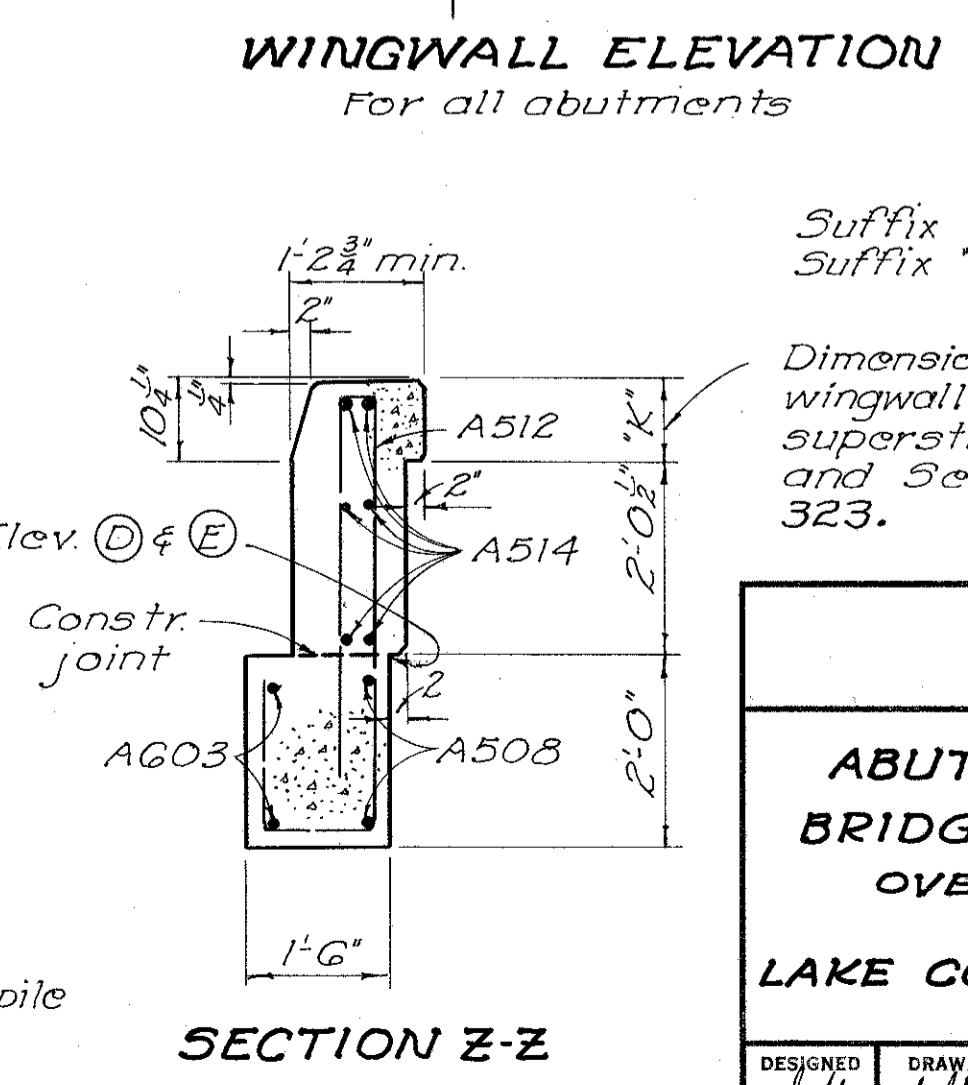
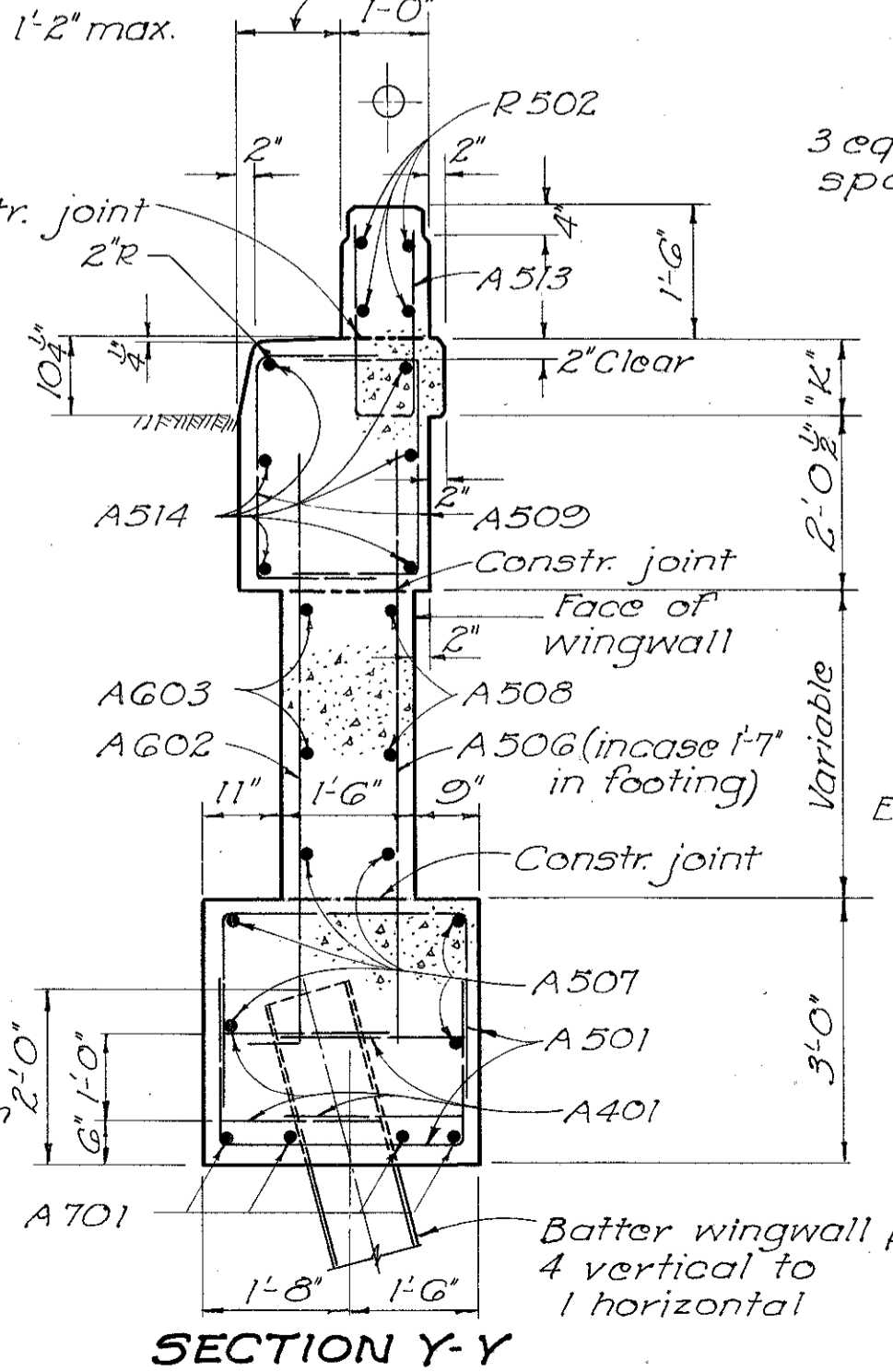
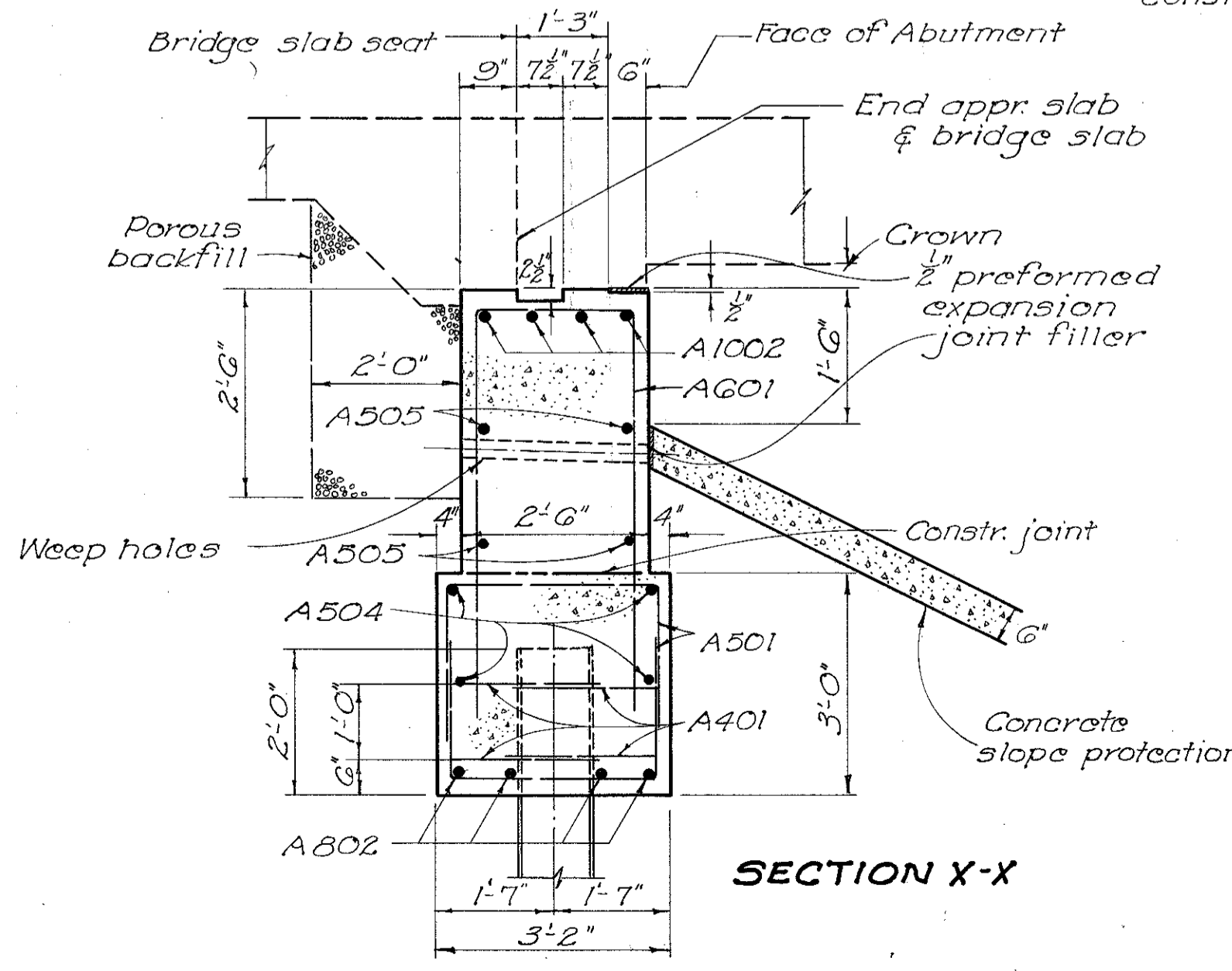


EAST BOUND BRIDGE ABUTMENT PLAN
Forward abutment shown. Rear abutment similar.
Prefix 'F' denotes forward abutment.
Prefix 'R' denotes rear abutment.



ELEVATIONS - EAST BOUND BRIDGE ABUTMENTS		
Point	Forward	Rear
A	667.48	666.51
B	668.38	665.38
D	667.64	666.30
E	668.74	665.17
F	660.98	660.01
G	662.08	658.88

For details and notes not shown see sheet 320.



Suffix 'f' denotes face
Suffix 'b' denotes back
Dimension 'k' varies. Curb fascia on wingwall shall match curb fascia on superstructure. Refer to Section C-C and Section B-B and D-D on Sheet 323.

STATE OF OHIO
DEPARTMENT OF HIGHWAYS
DIVISION OF DESIGN AND CONSTRUCTION
BUREAU OF BRIDGES

ABUTMENT DETAILS
BRIDGE NO. LAK-2-0031 L&R
OVER LLOYD ROAD

LAKE CO. STA. 117+28.00
117+72.50

DESIGNED	DRAWN	TRACED	CHECKED	REVIEWED	DATE	REVISED
J.G.	J.G.	R.H.D.	C.P.D.	B.P.G.	2-18-59	