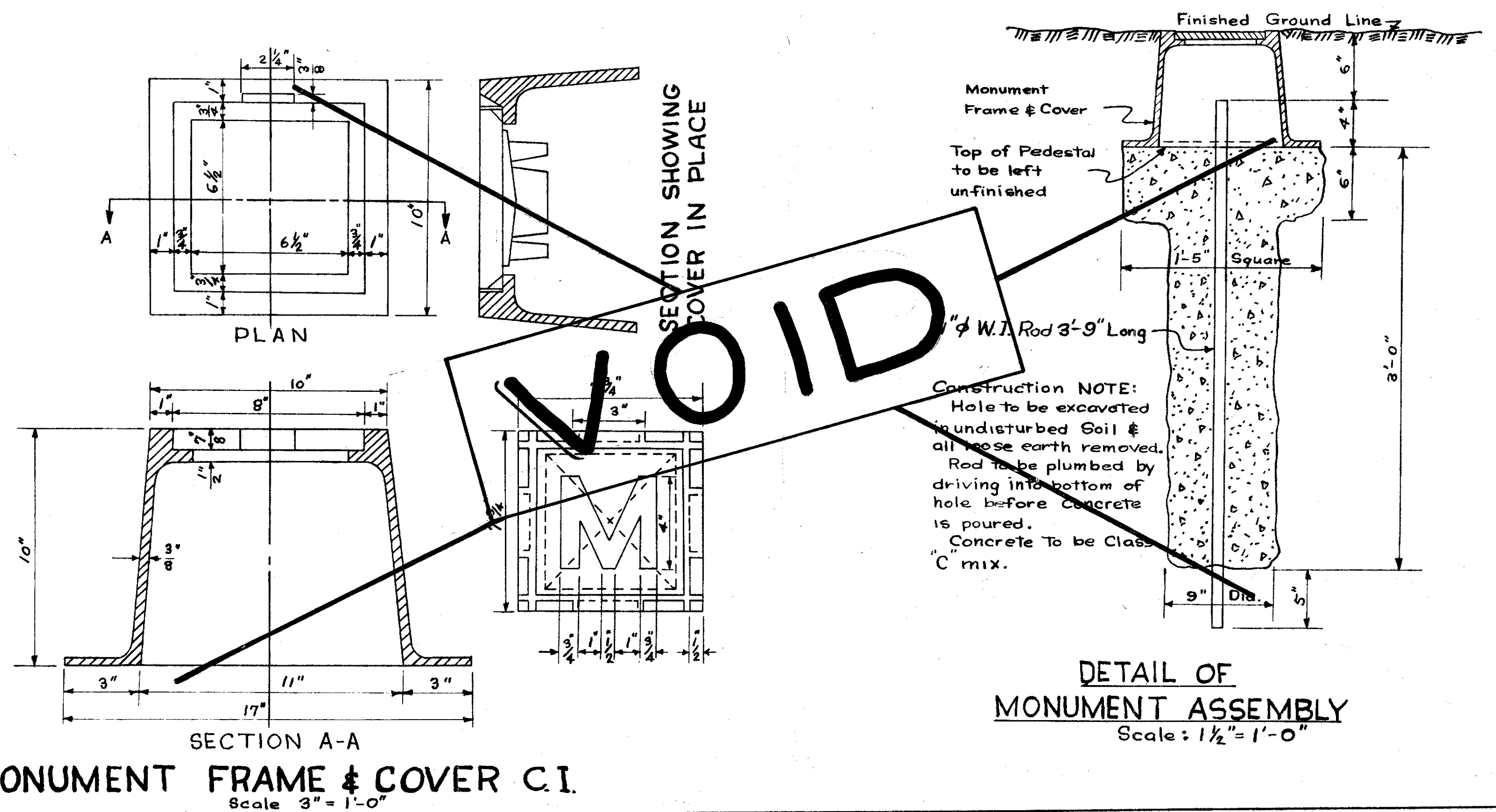
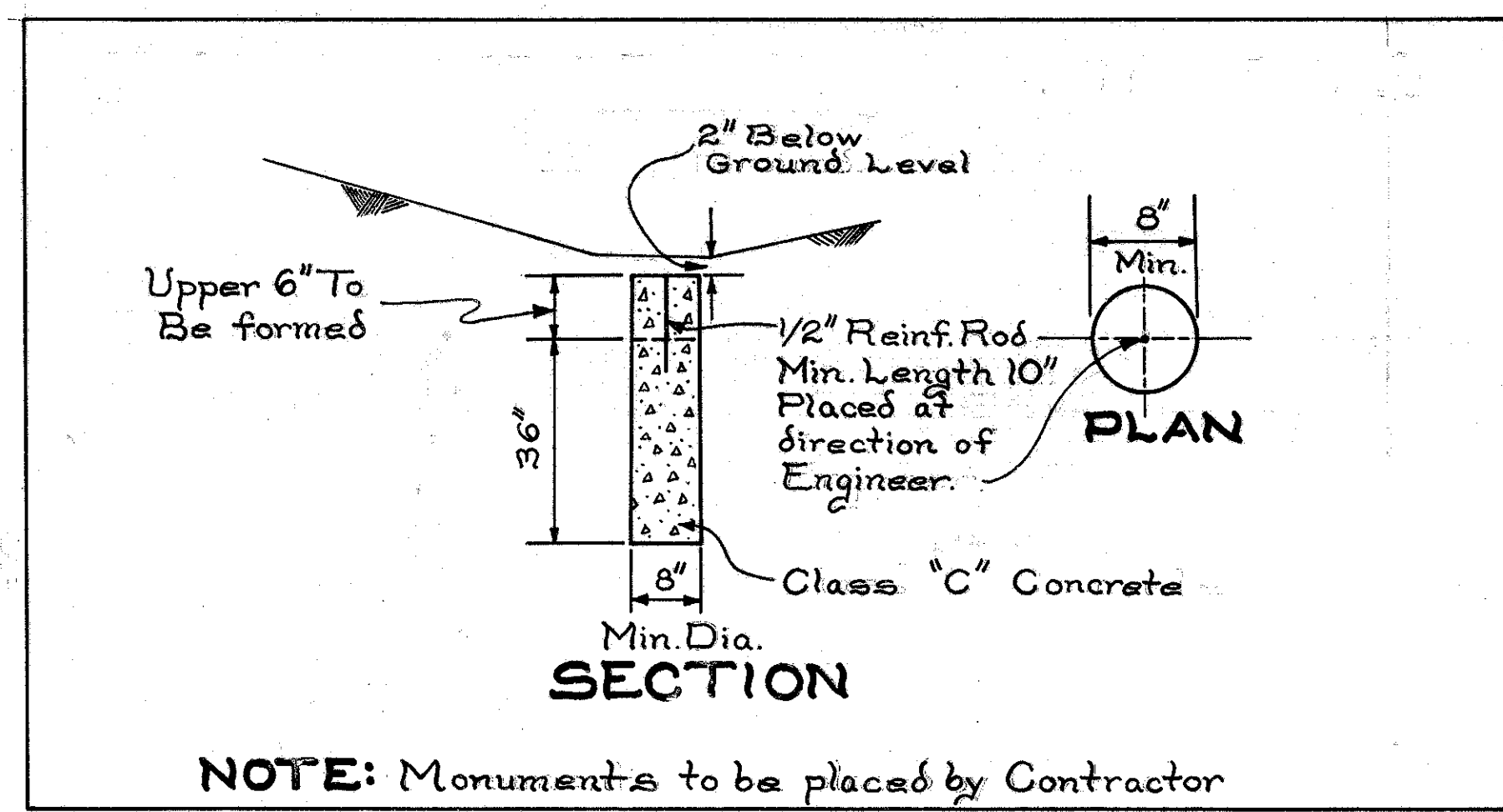
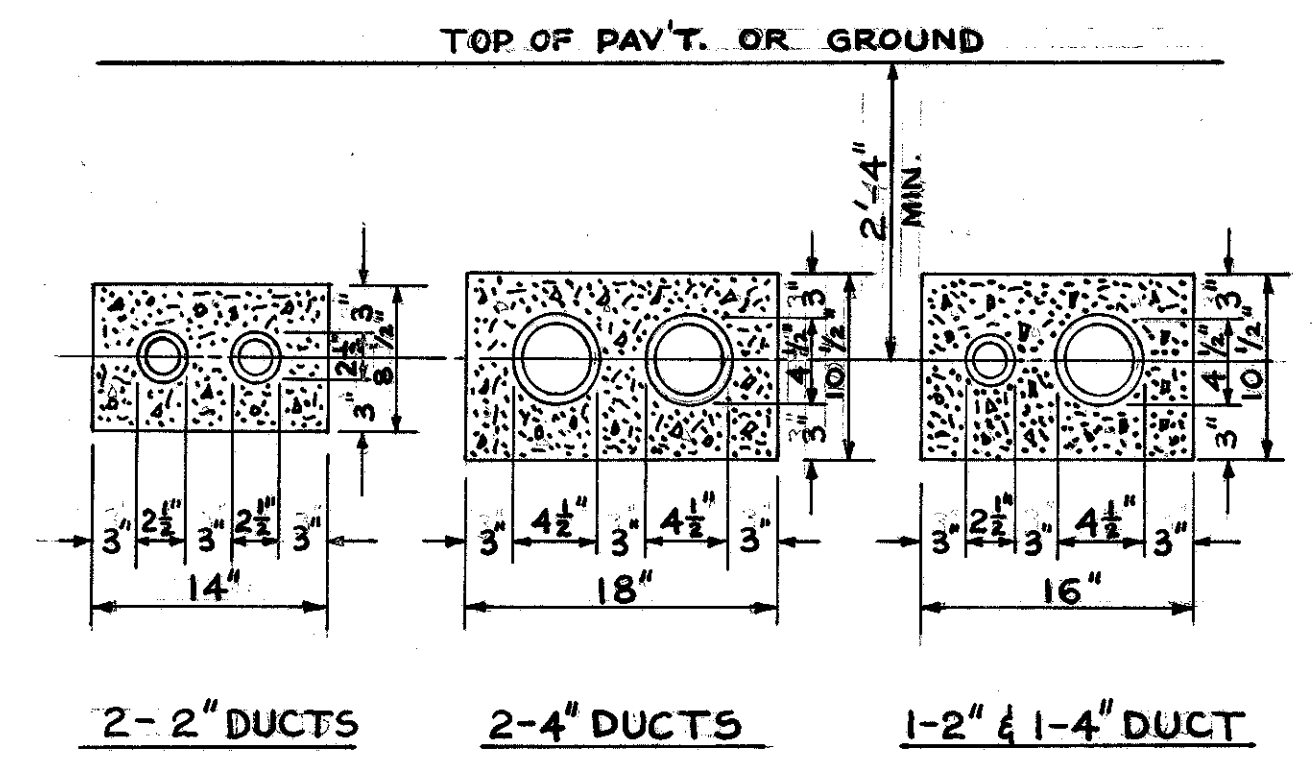


MONUMENT ASSEMBLY - TYPE "A"

CENTERLINE REFERENCE

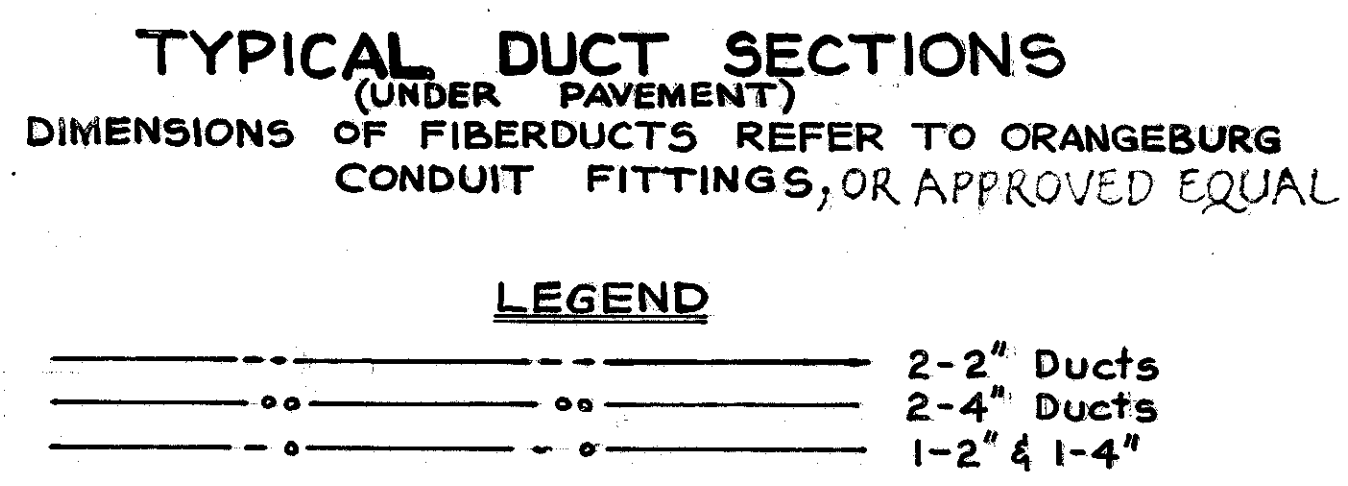


ELECTRICAL DUCT DETAILS PAYEMENT CROSSOVERS



UNDERGROUND ELECTRICAL DUCT. Ducts shall be encased by Class C Concrete having a minimum thickness of three inches. Ends of ducts shall extend two feet beyond edge of paved berm or back of curb. One 10 AWG galvanized steel drag wire shall be left in each duct and ends of ducts shall be closed with capped bushings.

DUCT MARKERS. Concrete markers, manufactured in accordance with details shown below shall be placed over each end of each underground duct. Markers shall be installed flat on the ground, projecting one inch above finished grade. Cost shall be included in the unit price bid for Item S-25, Lighting Conduit.



MONUMENT ASSEMBLY - TYPE "B" PAVED AREAS

