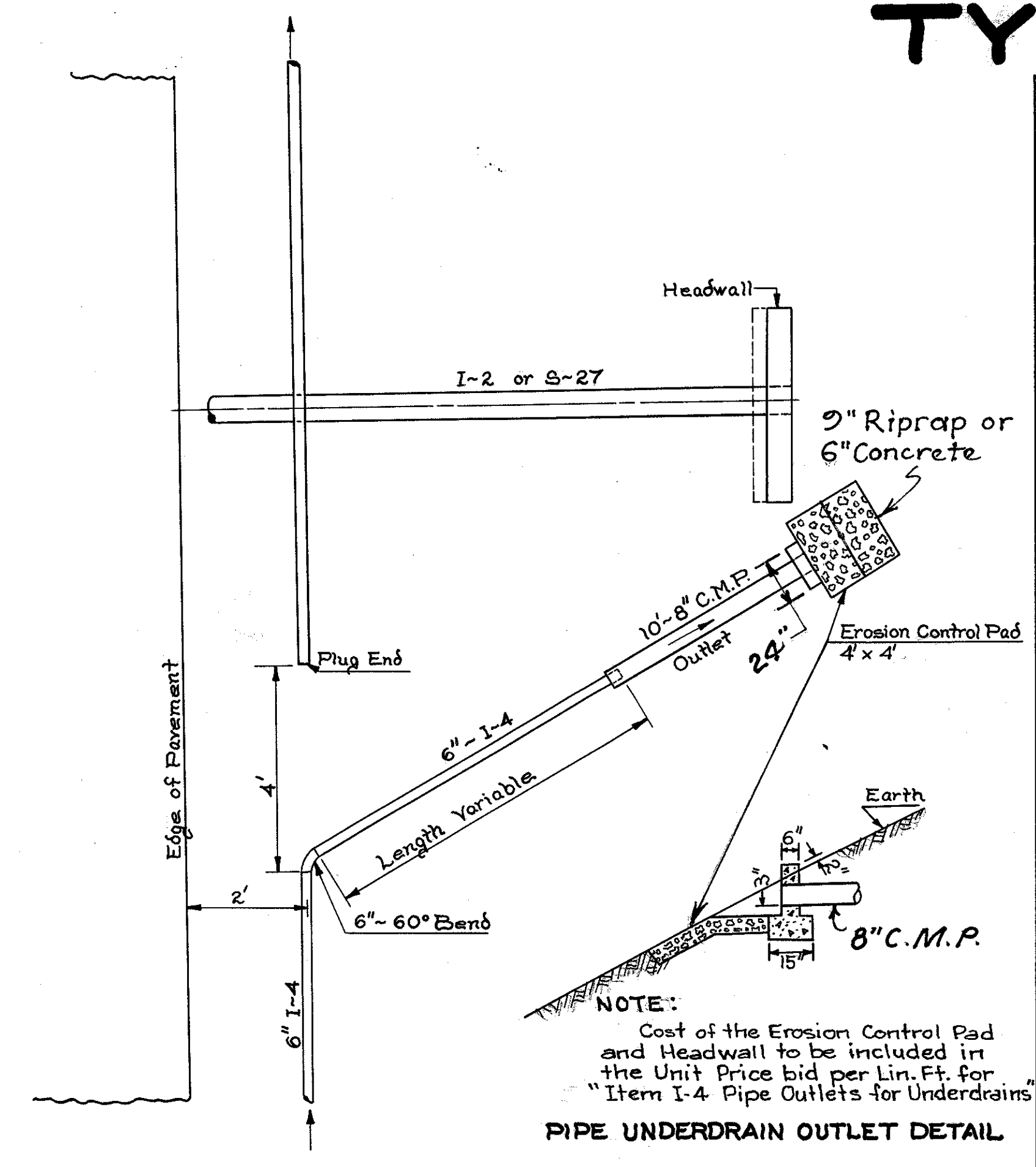


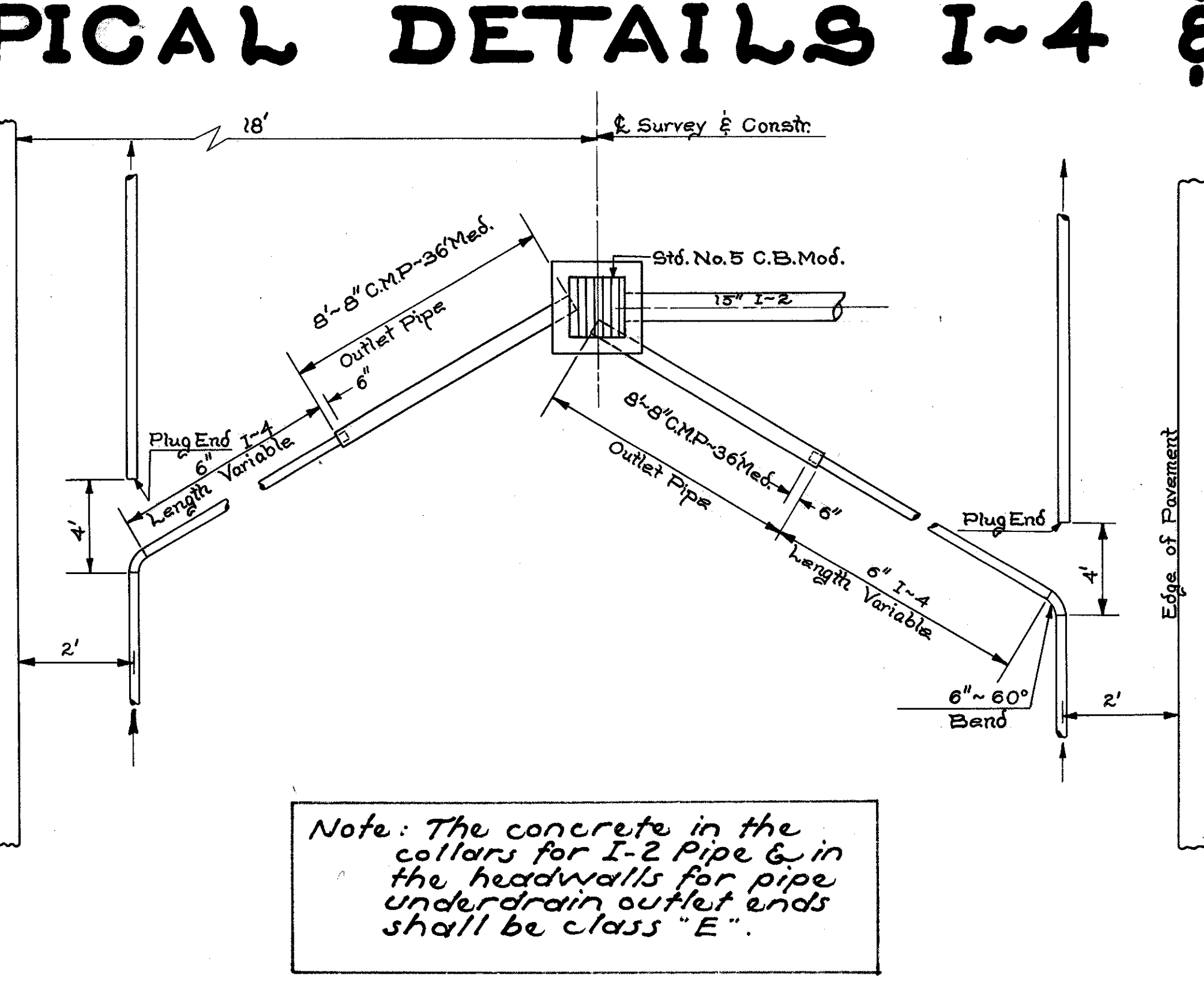
TYPICAL DETAILS I-4 & I-2

FED. RD. DIVISION	STATE	PROJECT	310 394
2	OHIO		

LAKE COUNTY
LAH-2-0.00

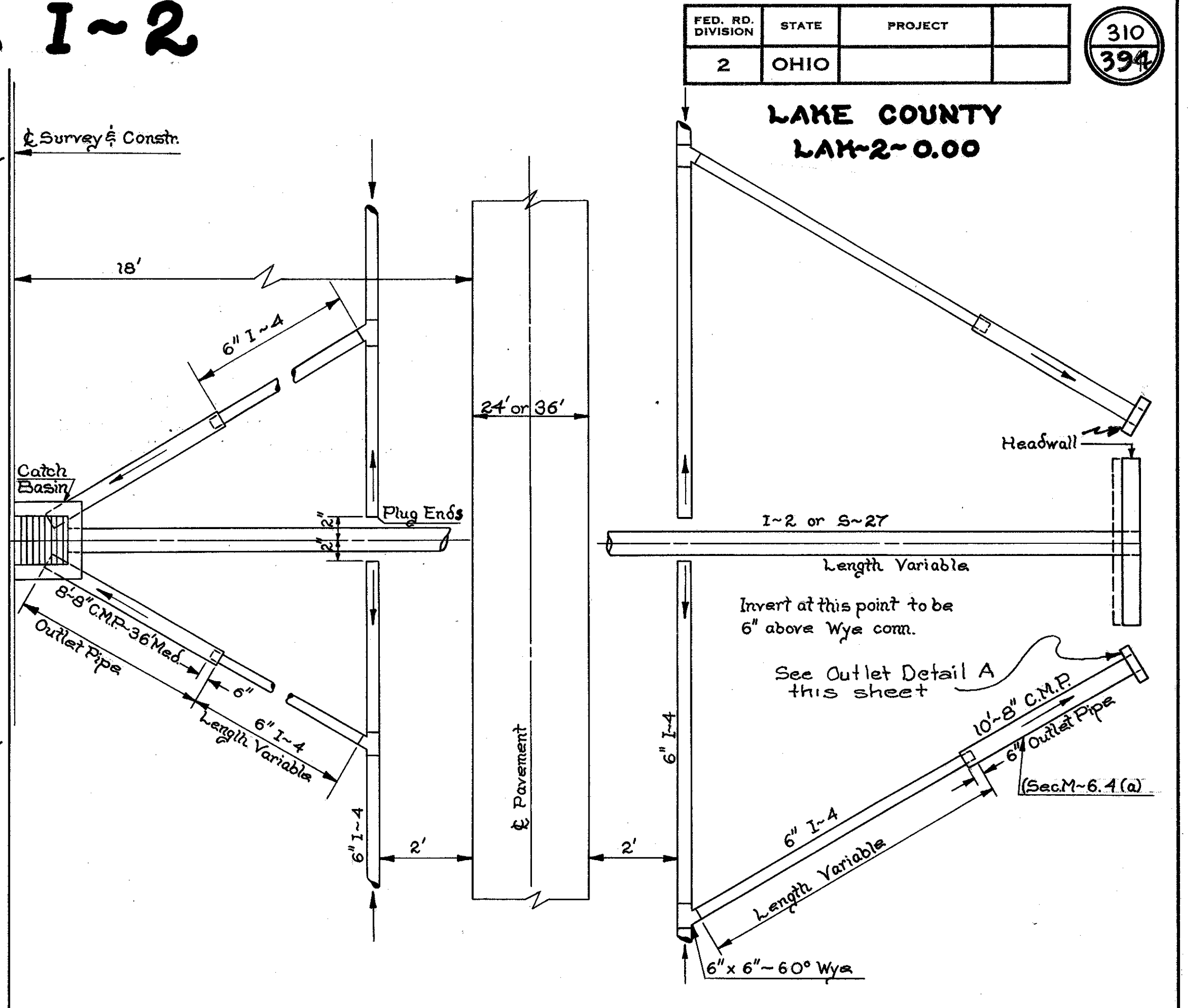


UNDERDRAIN OUTLET DETAIL A

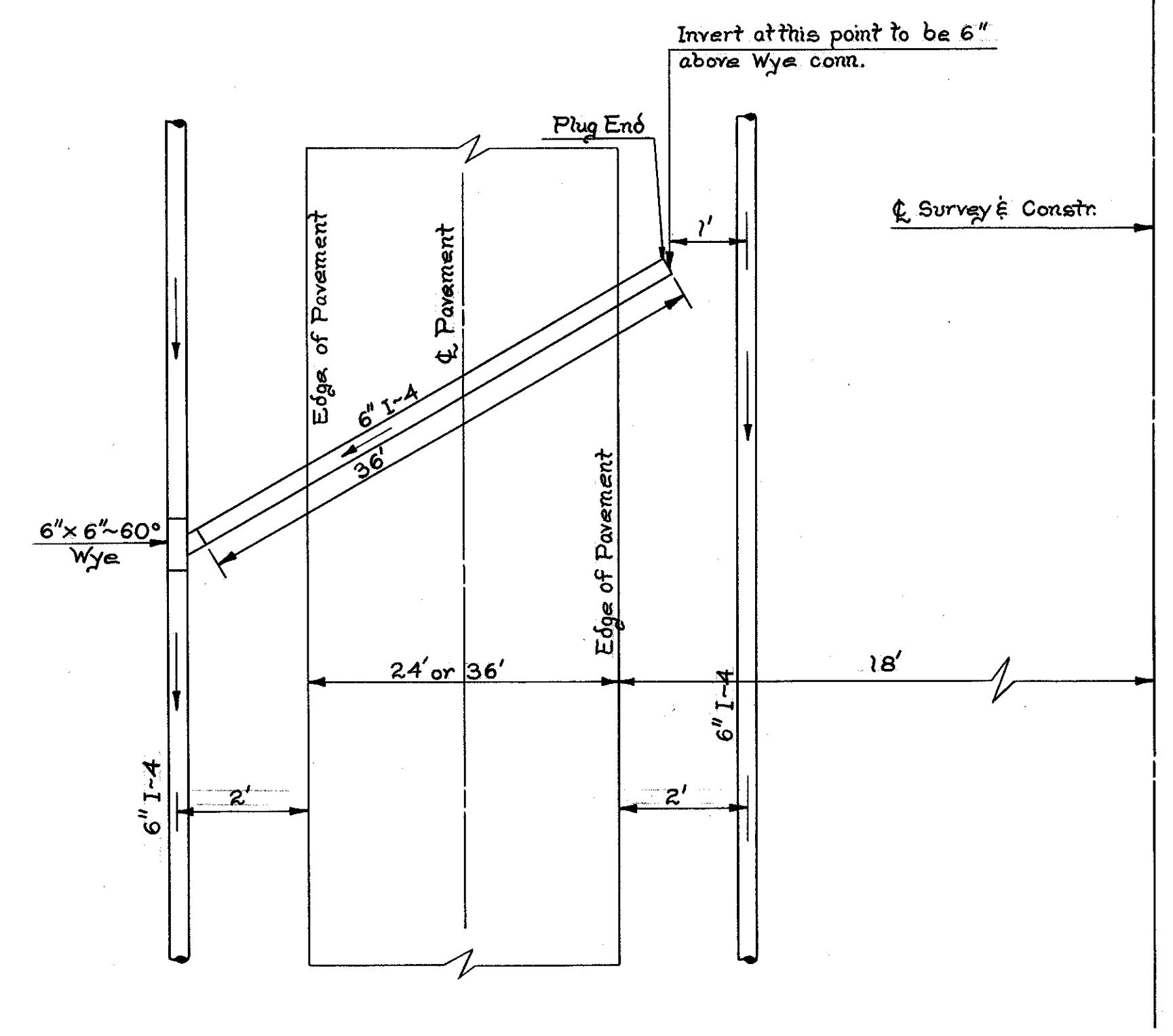


Note: The concrete in the collars for I-2 Pipe & in the headwalls for pipe underdrain outlet ends shall be class "E".

UNDERDRAIN OUTLET DETAIL B

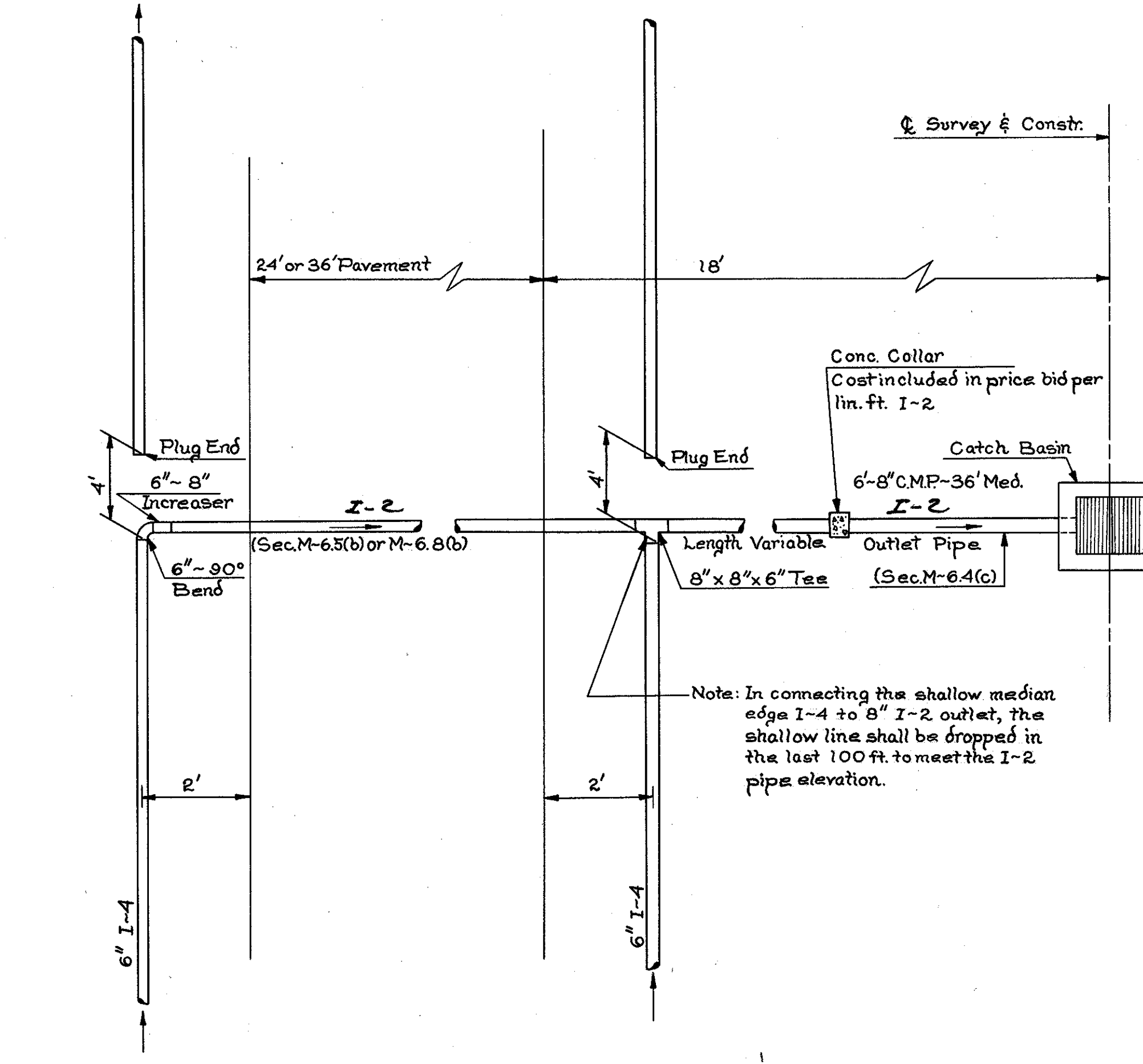


UNDERDRAIN OUTLET DETAIL C

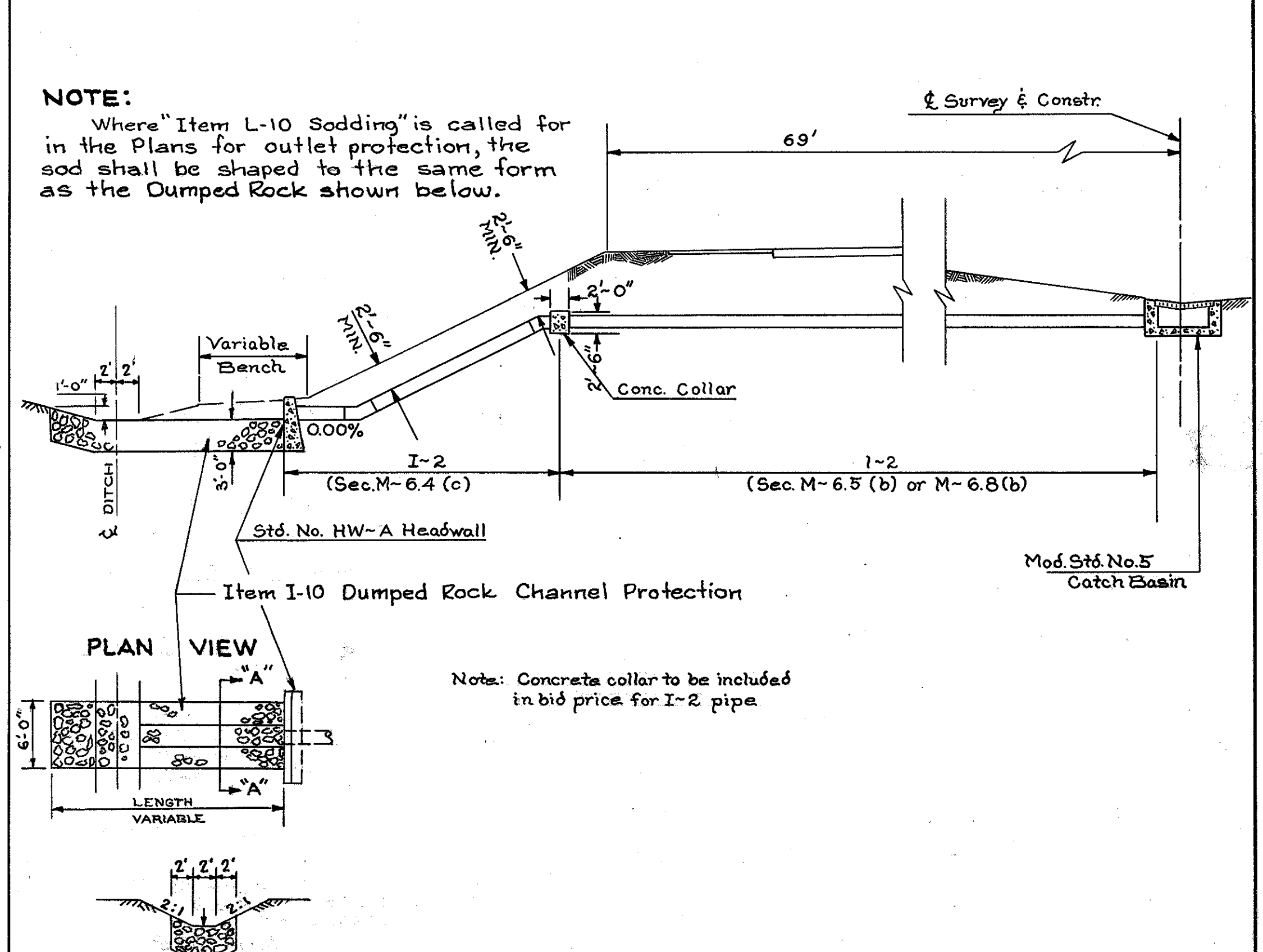


DETAIL I-4 CROSSOVER

CUT TO FILL SECTION



UNDERDRAIN OUTLET DETAIL E



TYPICAL DETAILS I-4 & I-2