

MICROFILMED
SEP 17 1986

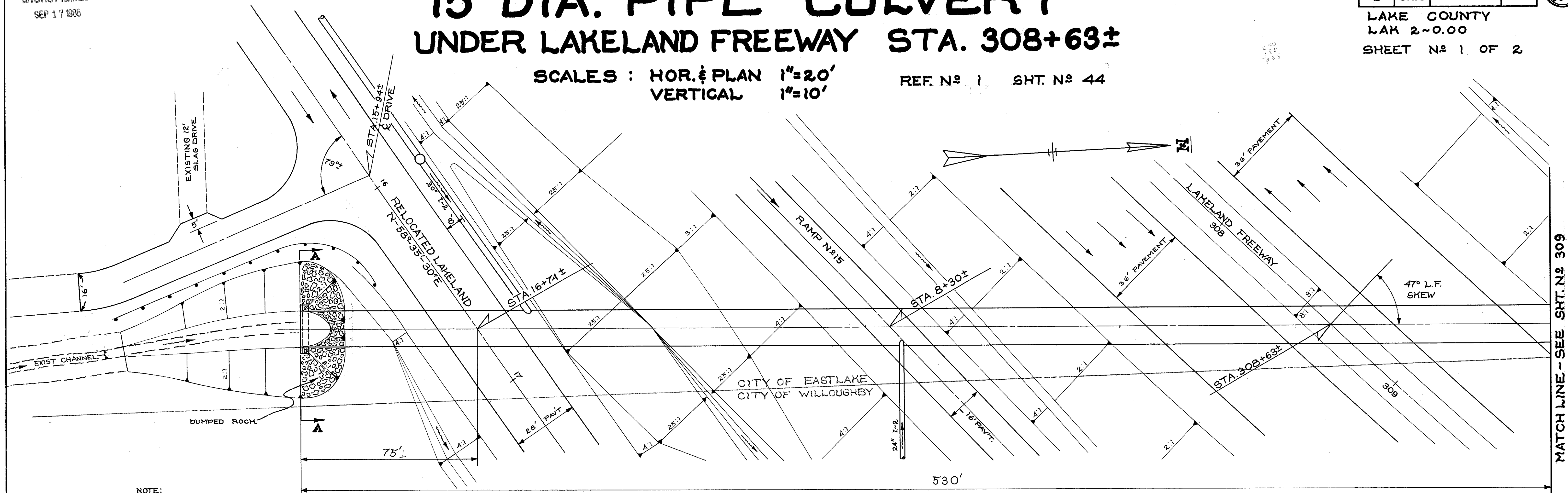
15' DIA. PIPE CULVERT UNDER LAKELAND FREEWAY STA. 308+63±

SCALES : HOR. & PLAN 1"=20'
VERTICAL 1"=10'

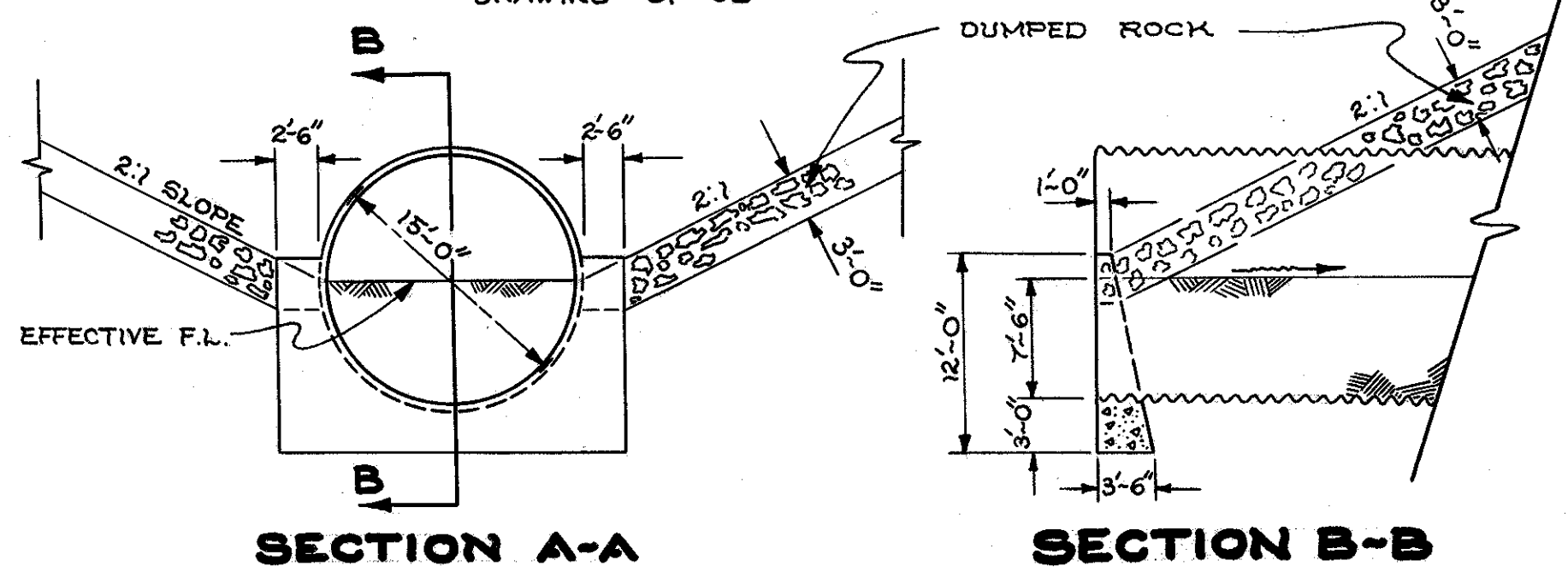
REF. N^o 1 SHT. N^o 44

FED. RD. DIVISION	STATE	PROJECT	
2	OHIO		
LAKE COUNTY LAK 2~0.00			
SHEET N ^o 1 OF 2			

308
394



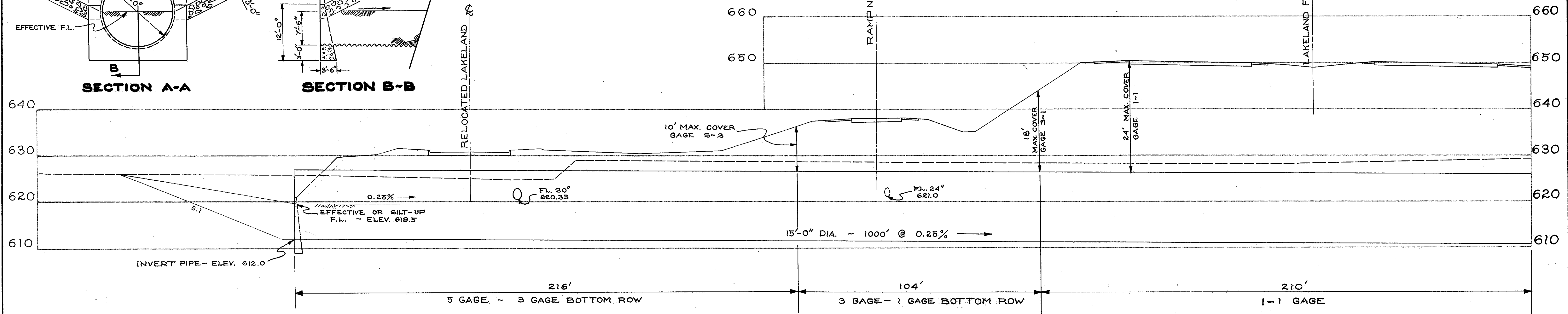
NOTE:
FOR END-WALL DETAILS
NOT SHOWN SEE STD.
DRAWING SP-53



CULVERT DATA

TYPE: PIPE CULVERT S-28, M-6.4 (g),
258' GAGE 1-1, 104' GAGE 3-1, 638' GAGE 5-3.
END-WALLS MODIFIED STD. SP-53.
SIZE: 180" x 1000'

DRAINAGE AREA = 636 ACRES
PRESENT DESIGN Q₂₅ = 572 C.F.S.



STRUCTURE N^o LAK-2~0395

15' DIA. PIPE CULVERT UNDER LAKELAND FREEWAY STA. 308+63±