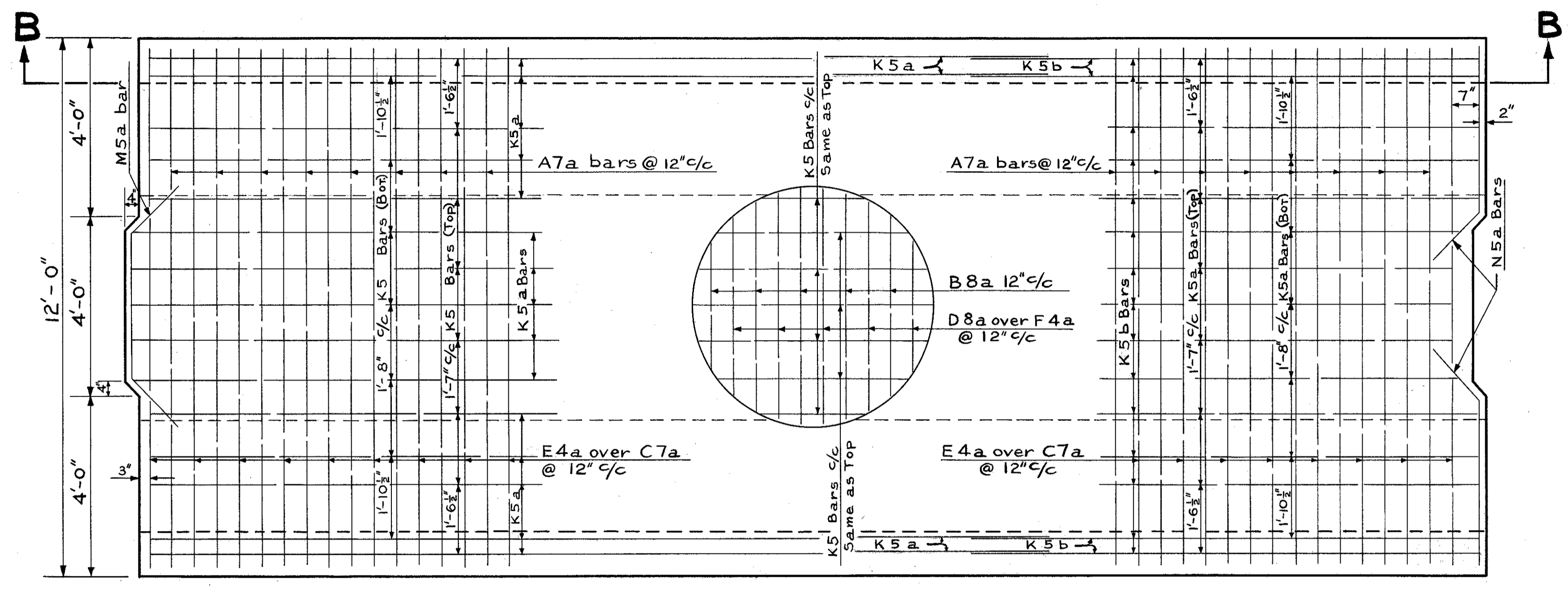


MICROFILMED
SEP 17 1986

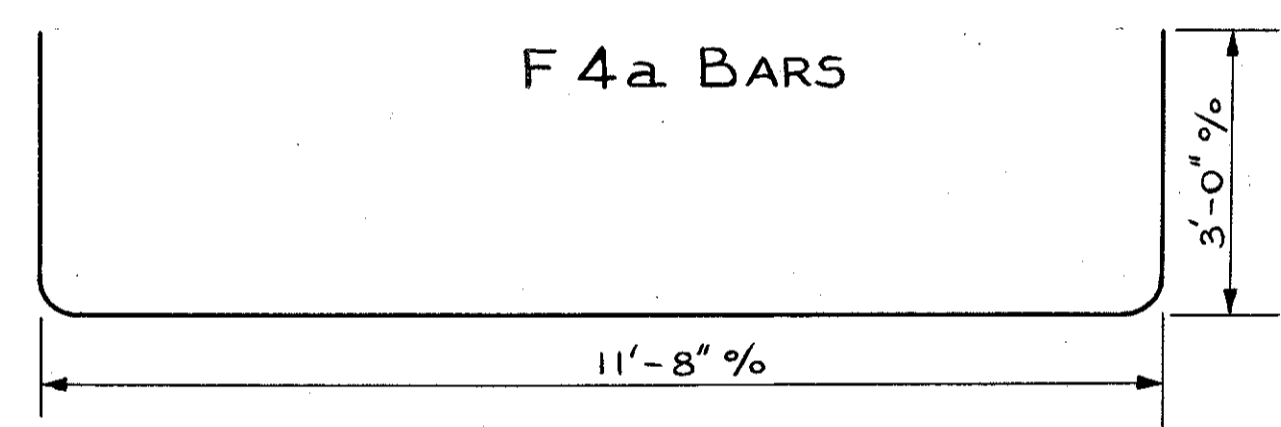
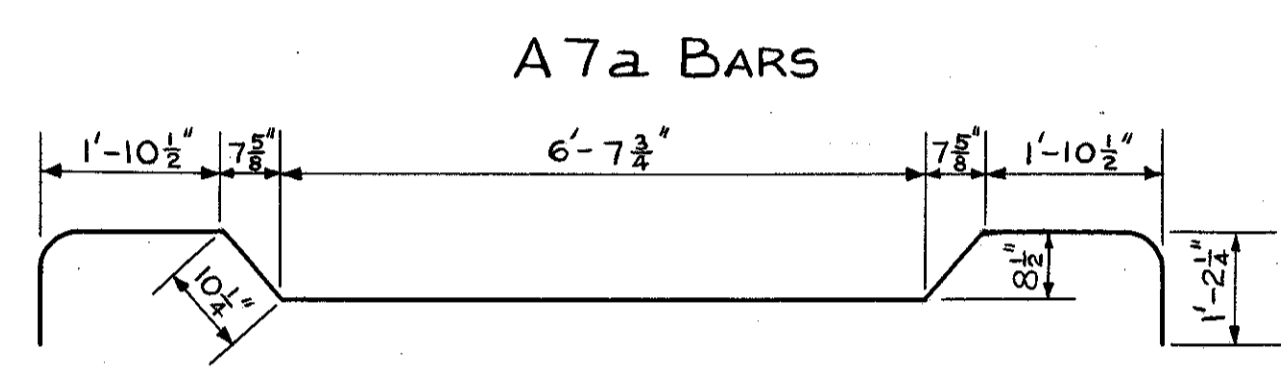
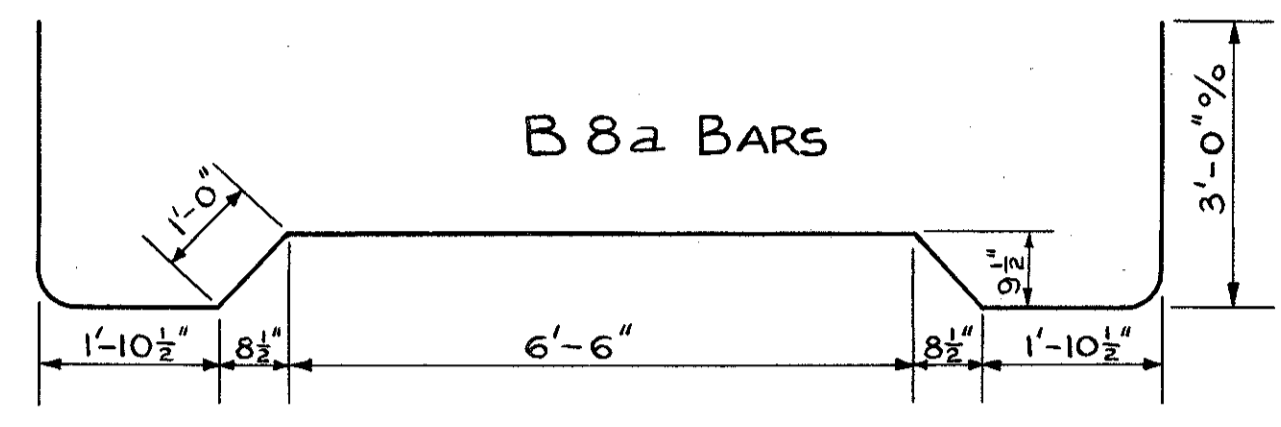
10' x 5' CONC. CULVERT TYPICAL BARREL "A"

FED. RD. DIVISION	STATE	PROJECT	
2	OHIO		303 397

LAKE COUNTY
LAK - 2 - 0.00

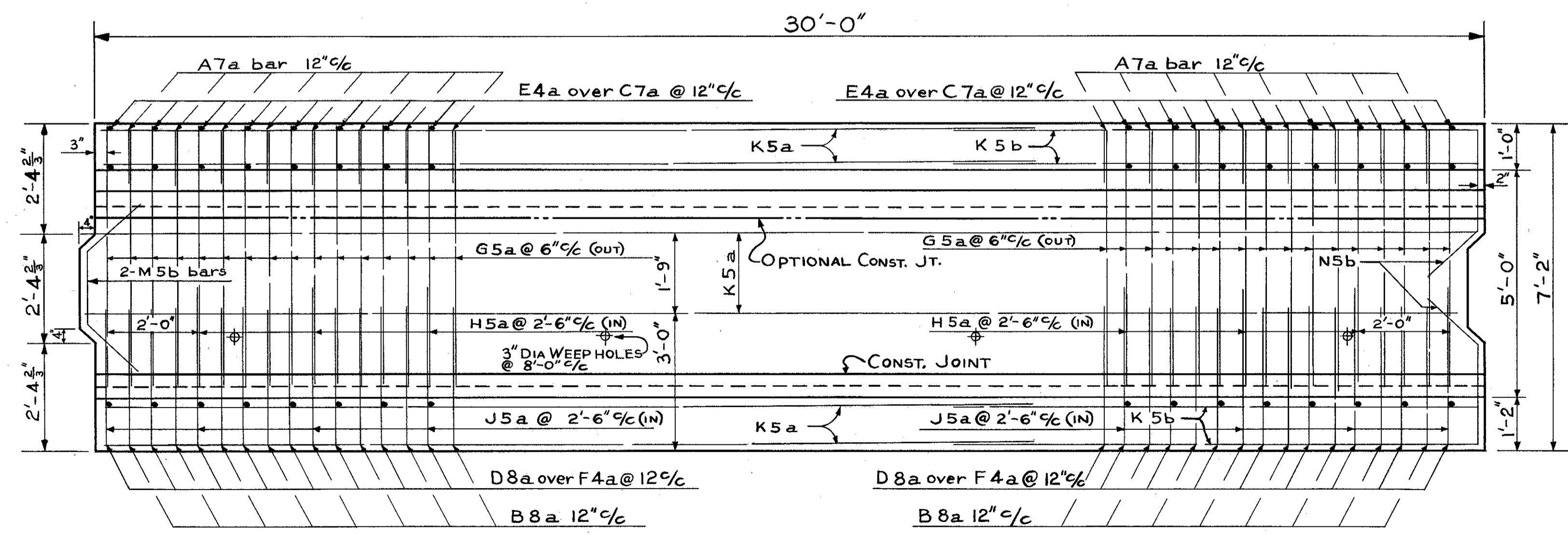
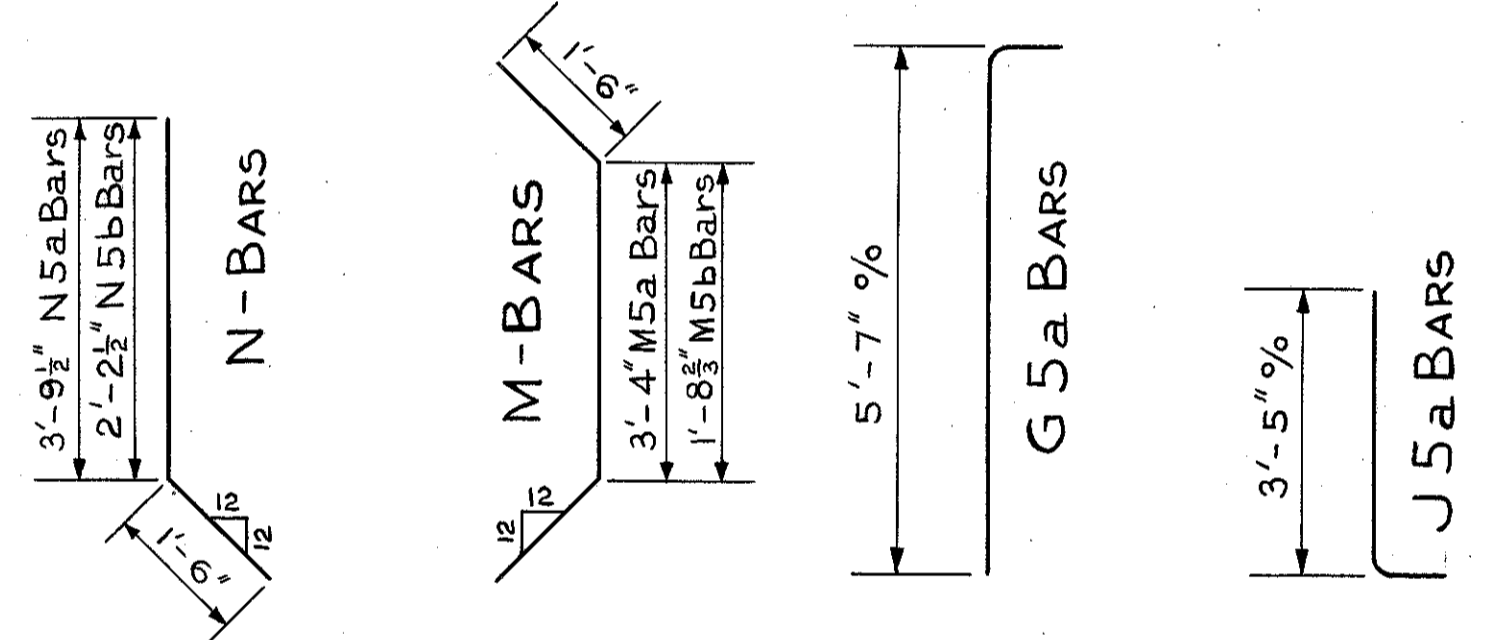


PLAN - BARREL "A"

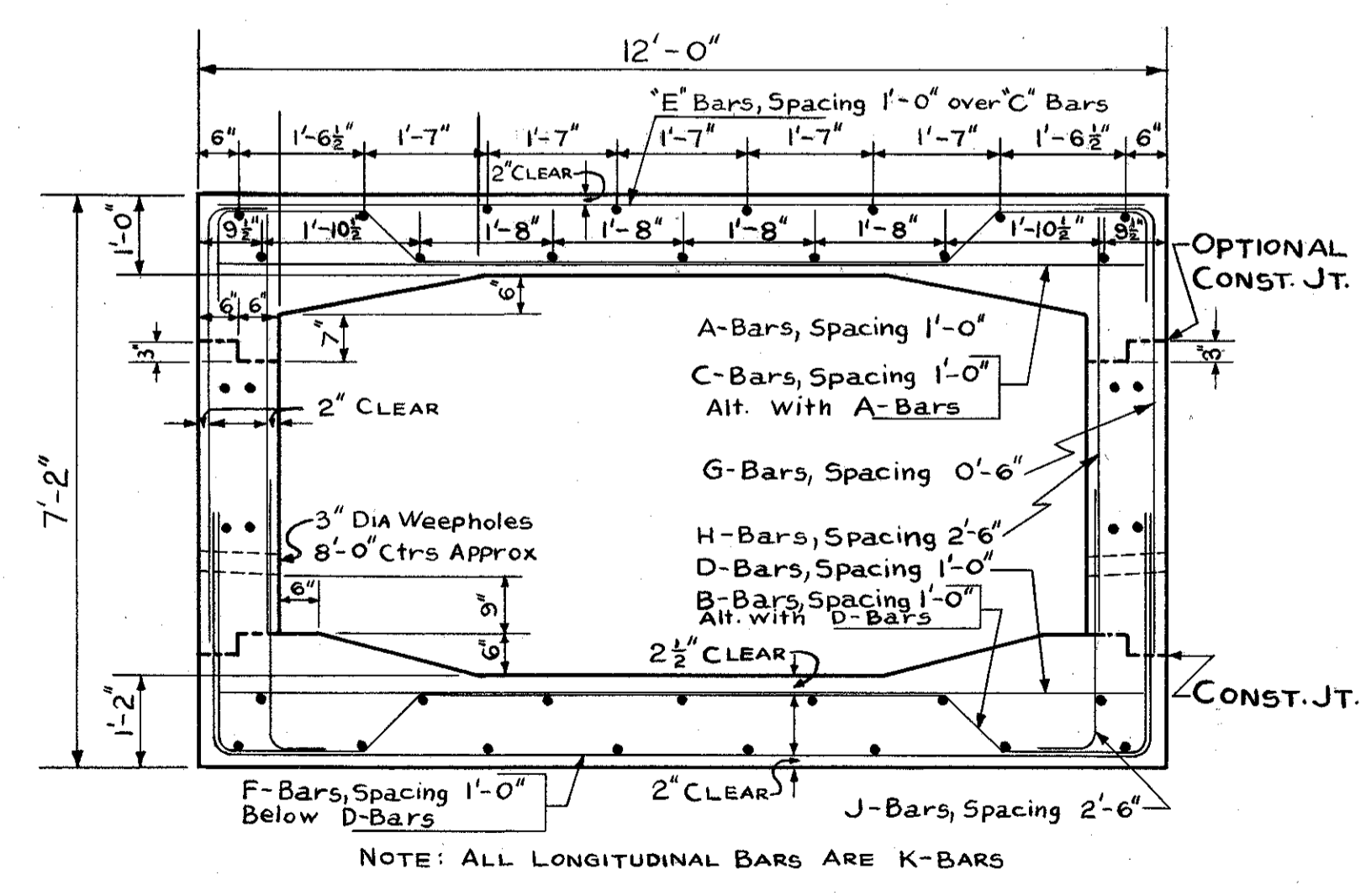


TOTAL BARREL "A" = 6823.07 LBS.

S 4 REINFORCING STEEL						
MARK	SIZE DIA.	N ^o	LENGTH	TOTAL FT.	WT. (LBS)	SHAPE
A 7a	7/8" φ	29	14'-2"	410.93	839.94	BENT
B 8a	1"	29	17'-10"	517.07	1380.58	BENT
C 7a	7/8"	30	11'-6"	345.00	705.18	STRAIGHT
D 8a	1"	30	11'-6"	345.00	921.15	STRAIGHT
E 4a	1/2"	30	11'-6"	345.00	230.46	STRAIGHT
F 4a	1/2"	30	17'-5"	522.50	349.03	BENT
G 5a	5/8"	118	6'-4"	747.43	779.47	BENT
H 5a	5/8"	26	5'-3"	136.50	142.37	STRAIGHT
J 5a	5/8"	26	4'-3"	110.50	115.25	BENT
K 5a	5/8"	38	20'-0"	760.00	792.68	STRAIGHT
K 5b	5/8"	38	11'-3"	427.50	445.88	STRAIGHT
M 5a	5/8"	4	6'-4"	25.32	26.41	BENT
M 5b	5/8"	4	4'-8 3/4"	18.88	19.69	BENT
N 5a	5/8"	8	5'-3 1/2"	42.32	44.14	BENT
N 5b	5/8"	8	3'-8 1/2"	29.68	30.96	BENT



SECTION B - B



TYPICAL SECTION C - C