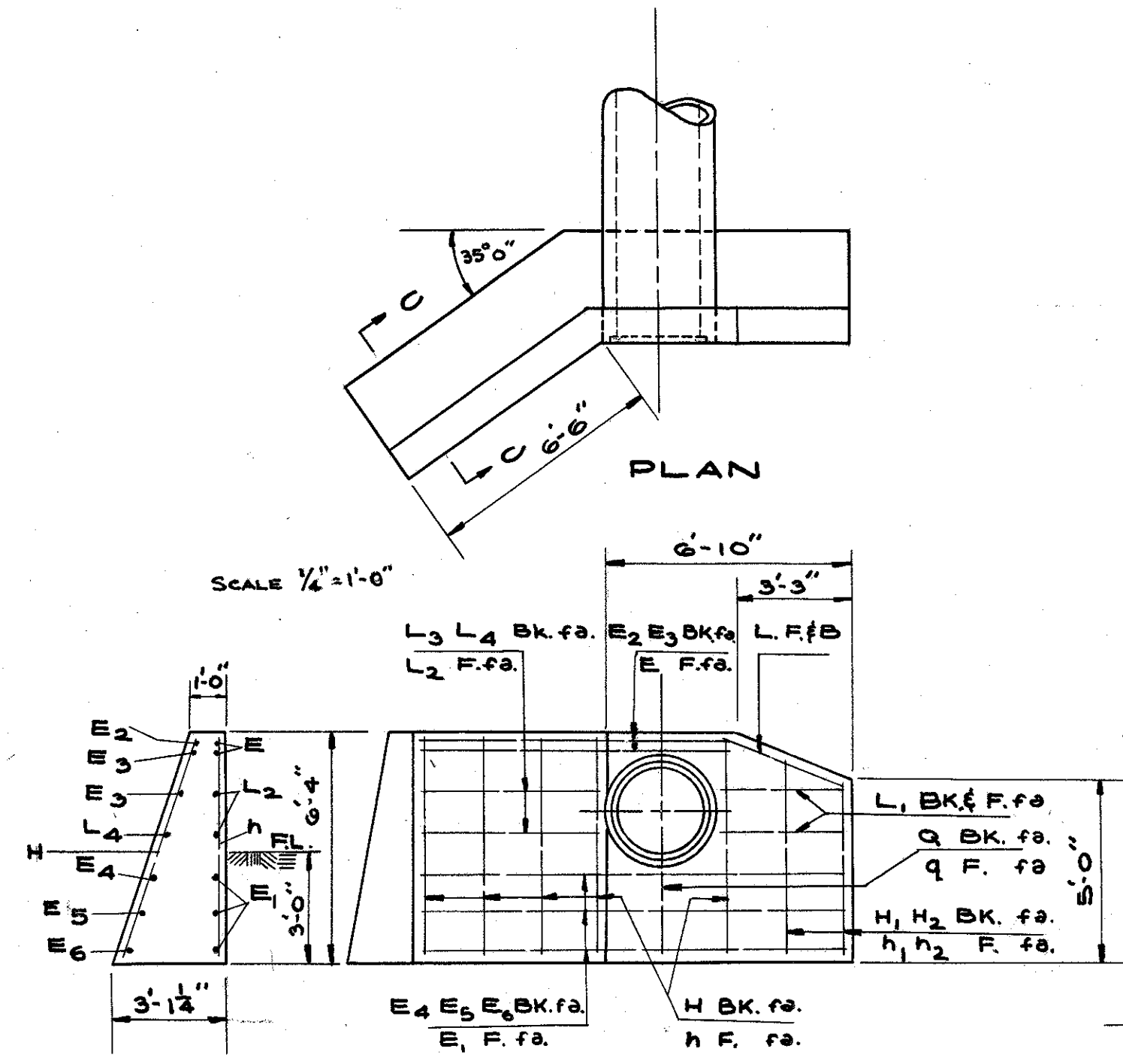


27" ROADWAY PIPE CULVERT

STA. 226+03
REF. NO 2-C SHT. NO 37
SCALE: 1" = 20'

FED. RD. DIVISION	STATE	PROJECT	
2	OHIO		301 394

LAKE COUNTY
LAK.-2-0.00

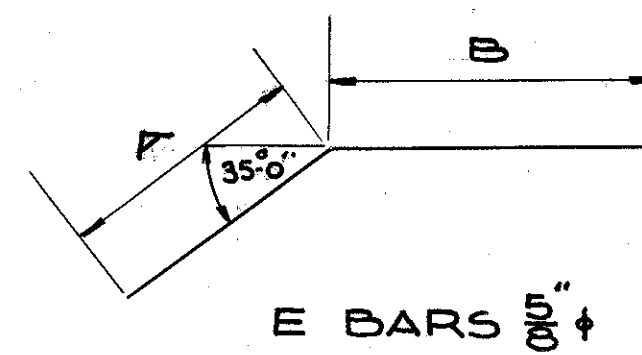


SECTION C-C ELEVATION

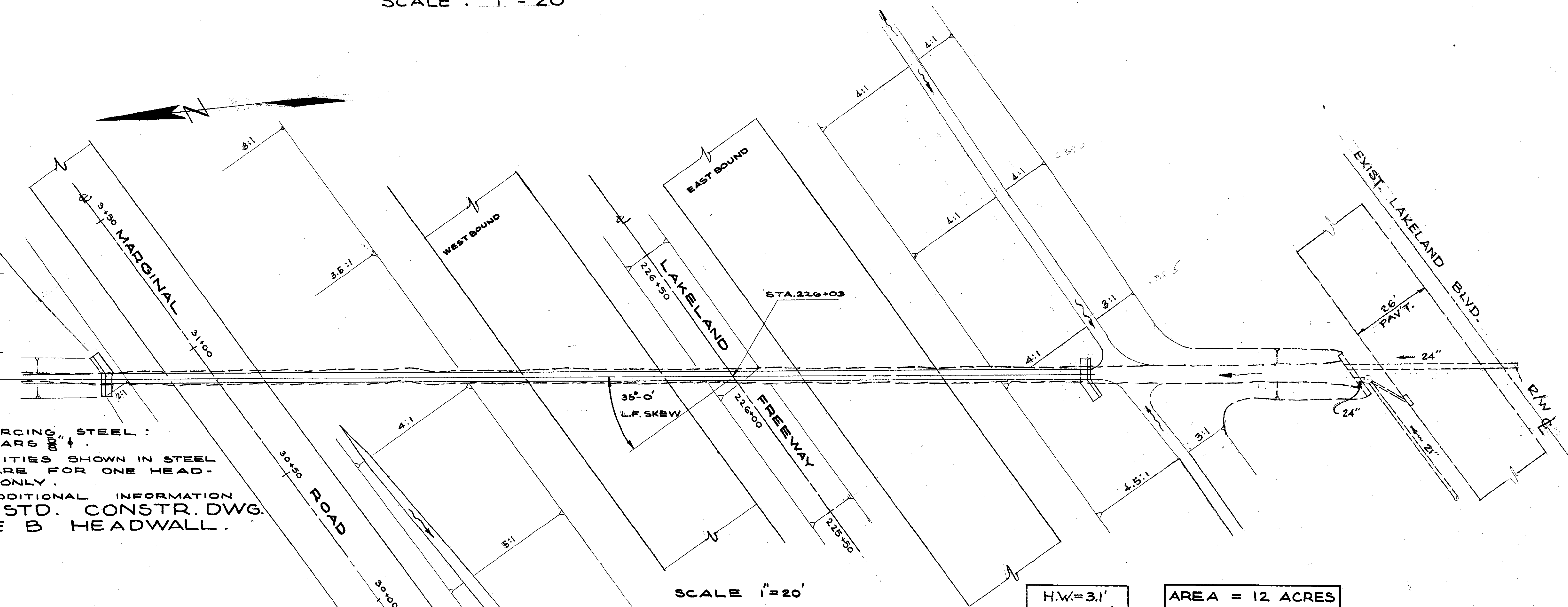
REINFORCING STEEL LIST

MARK NO	A	B	LENGTH	LBS.	
H	5		6'-4"	33.05	
H ₁	1		5'-7"	5.82	
H ₂	1		4'-10"	5.04	
h	5		5'-11"	30.85	
h ₁	1		5'-3"	5.48	
h ₂	1		4'-7"	4.78	
Q	1		2'-3"	2.35	
Q	1		2'-1"	2.17	
L	2		3'-6"	7.30	
L ₁	4		3'-4"	13.92	
L ₂	2		6'-2"	12.86	
L ₃	1		6'-10"	7.13	
L ₄	1		7'-0"	7.30	
E	2	6'-4"	3'-6"	9'-10"	20.52
E ₁	3	6'-4"	6'-9"	13'-1"	40.95
E ₂	1	6'-6"	3'-8"	10'-2"	10.60
E ₃	1	6'-7"	3'-9"	10'-4"	10.78
E ₄	1	6'-11"	7'-2"	14'-1"	14.69
E ₅	1	7'-0"	7'-3"	14'-3"	14.86
E ₆	1	7'-2"	7'-5"	14'-7"	15.21
TOTAL				265.64	

NOTE: REINFORCING STEEL: ALL BARS ϕ 5". QUANTITIES SHOWN IN STEEL LIST ARE FOR ONE HEADWALL ONLY. FOR ADDITIONAL INFORMATION SEE STD. CONSTR. DWG. TYPE B HEADWALL.



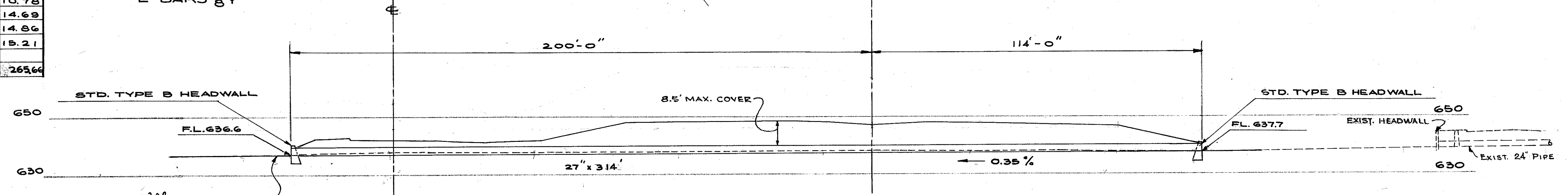
E BARS ϕ 5"



SCALE 1" = 20'

H.W. = 3.1'
VEL. = 50/SEC

AREA = 12 ACRES
Q₂₅ = 18 C.F.S.



SEE SHT. NO 302 FOR CHANNEL WORK AT OUTLET

CULVERT DATA

SKREW: 35°-0' LT. FWD.
TYPE: S-27 PIPE CULVERT, SEC. M-G.G(b) OR M-G.8(b)
SIZE: 27" x 31.4"
WORK REQUIRED: BUILD 27" PIPE CULVERT WITH STD. TYPE B HEADWALLS RT.<.

ESTIMATED QUANTITIES

* E-2 EXCAVATION FOR STRUCTURES	58.	CU. YDS.
S-1 CONCRETE FOR STRUCTURES CLASS "C"	132.	CU. YDS.
S-4 REINFORCING STEEL	531.	LBS.
S-27 27" PIPE FOR ROADWAY CULVERT, SEC. M-G.G(b) OR M-G.8(b)	314.	L.F.

* INCLUDES E-2 FOR HEADWALLS

STRUCTURE NO LAK.-2-0239
PIPE CULVERT STA. 226+03