

LAKE COUNTY
LAK-2-0.00

54" DIA. PIPE CULVERT

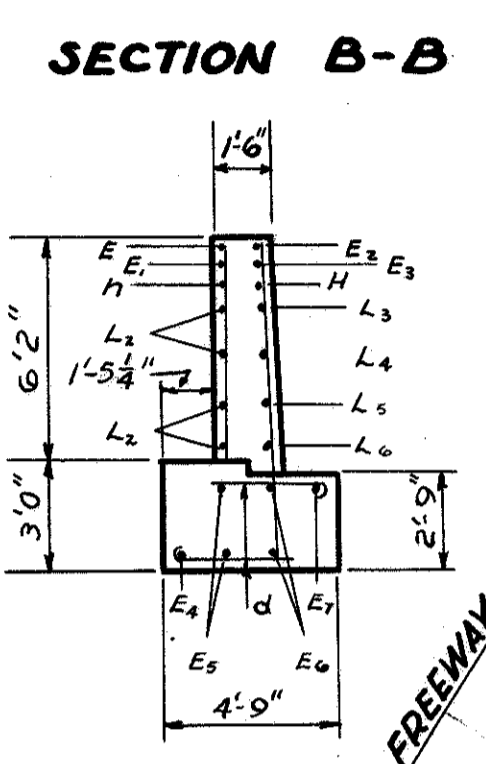
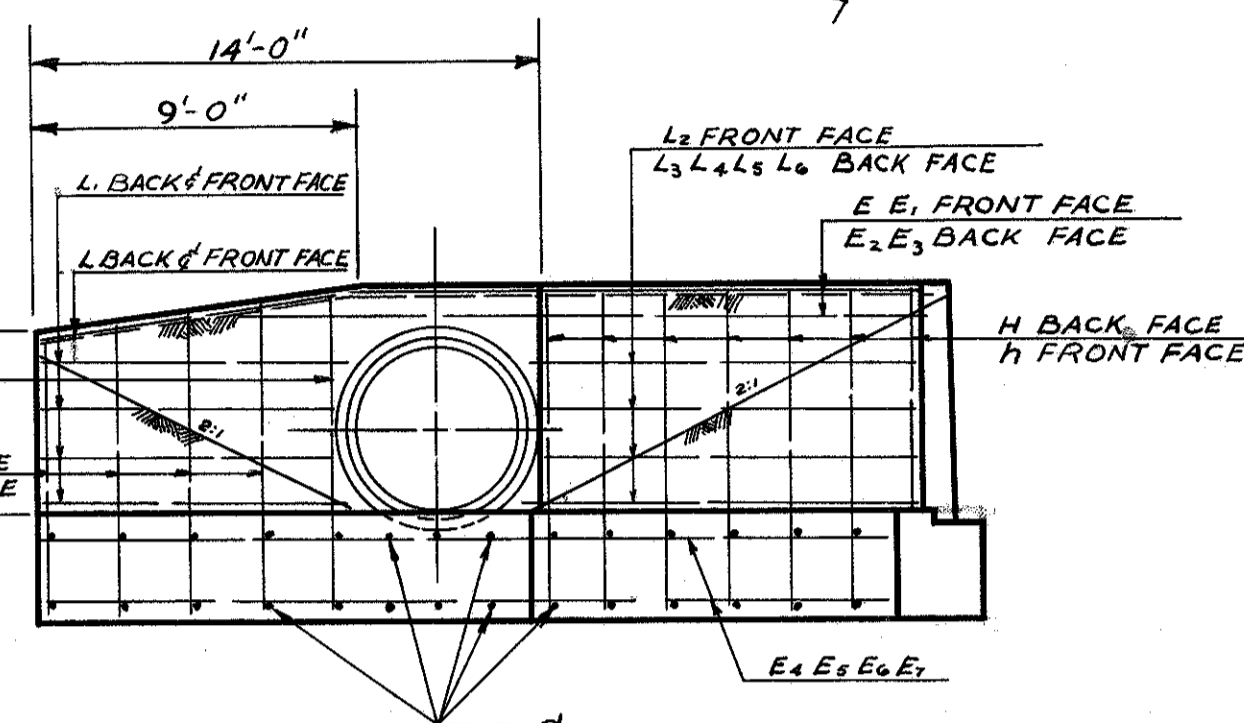
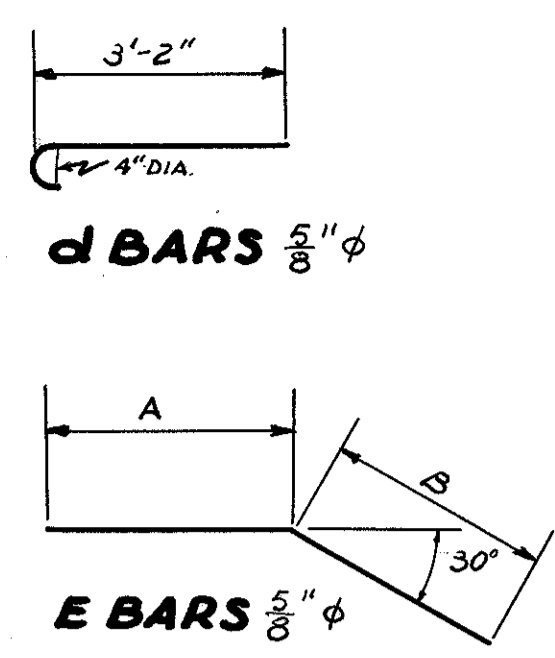
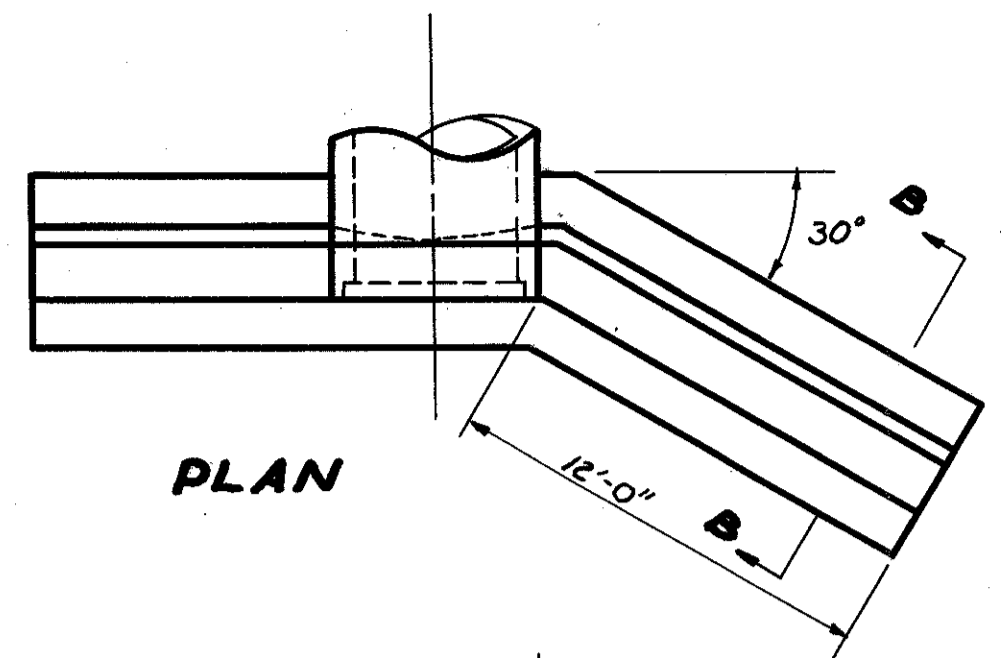
UNDER LAKELAND BLVD. (STA. 203+25 LAKELAND FREEWAY)

SCALE 1"=20'-0"

ESTIMATED QUANTITIES

E-2	EXCAVATION FOR STRUCTURES *	460 CU. YDS.
S-1	CONCRETE FOR STRUCTURES CLASS "C"	42.8 CU. YDS.
S-4	REINFORCING STEEL	1448 LBS.
S-27	54" PIPE FOR ROADWAY CULVERT	122 LIN. FT.
E-8	REMOVAL AND DISPOSAL OF EXISTING PAV'T	26 SQ. YDS.
T-70	9" PORTLAND CEMENT CONCRETE PAV'T	26 SQ. YDS.
E-8	REMOVAL AND DISPOSAL OF EXISTING CURB	10 LIN. FT.
I-12	CONCRETE CURB, STANDARD TYPE 2-A	10 LIN. FT.
E-3	CHANNEL EXCAVATION	1080 CU. YDS.
I-10	DUMPED ROCK CHANNEL PROTECTION	174 CU. YDS.

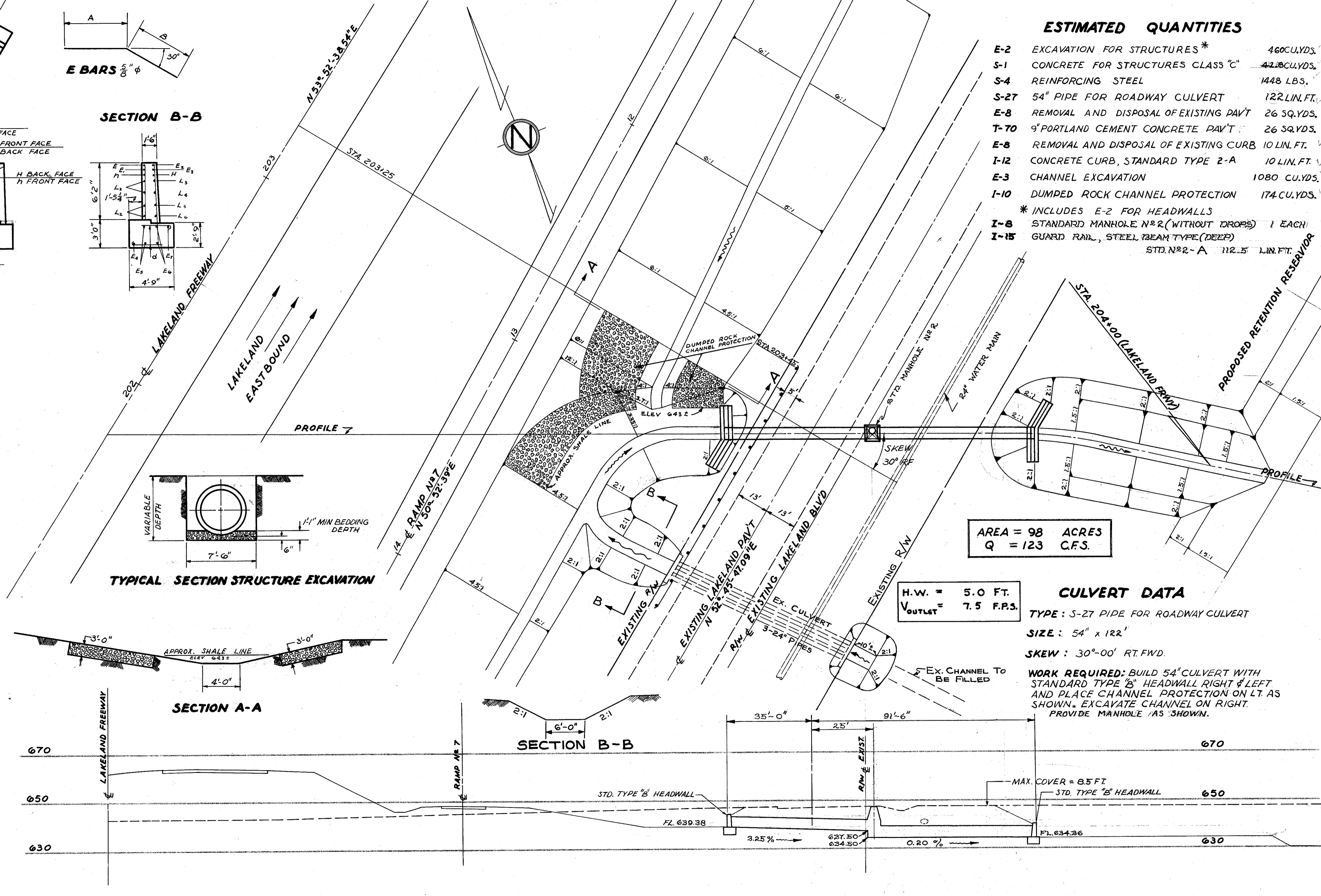
* INCLUDES E-2 FOR HEADWALLS
STANDARD MANHOLE N#2 (WITHOUT DROPS) 1 EACH
I-8 GUARD RAIL, STEEL BEAM TYPE (DEEP)
I-15 STD. N#2-A 112.5 LIN. FT.



NOTE: REINFORCING STEEL ALL BARS 5/8" φ
QUANTITIES SHOWN IN STEEL LIST ARE FOR ONE HEADWALL ONLY.
FOR ADDITIONAL INFORMATION SEE STD. CONSTR. DWG TYPE 'B' HEADWALL

REINFORCING STEEL LIST

MARK	N ^o	A	B	LENGTH	LBS.	SHAPE
H	8			8'-9"	73.01	STRAIGHT
H ₁	1			8'-5"	8.78	
H ₂	1			8'-2"	8.52	
H ₃	1			7'-11"	8.26	
H ₄	1			7'-8"	8.00	BENT
h	8			5'-11"	49.37	
h ₁	1			5'-7"	5.82	
h ₂	1			5'-4"	5.56	
h ₃	1			5'-1"	5.30	
h ₄	1			4'-10"	5.04	
L	2			8'-10"	18.43	STRAIGHT
L ₁	8			8'-1"	67.45	
L ₂	4			11'-9"	49.02	
L ₃	1			12'-1"	12.60	
L ₄	1			12'-2"	12.69	
L ₅	1			12'-3"	12.78	
L ₆	1			12'-4"	12.86	BENT
E	1	6'-0"	11'-9"	17'-9"	18.51	
E ₁	1	8'-0"	11'-9"	19'-9"	20.60	
E ₂	1	6'-2"	12'-1"	18'-3"	19.03	
E ₃	1	8'-2"	12'-1"	20'-3"	21.12	
E ₄	1	13'-9"	11'-5"	25'-2"	26.25	
E ₅	2	14'-1"	11'-9"	25'-10"	53.89	
E ₆	2	14'-5"	12'-1"	26'-6"	55.28	
E ₇	1	14'-9"	12'-5"	27'-2"	28.33	
d	30			3'-9"	117.34	
TOTAL					723.84 LBS.	



AREA = 98 ACRES
Q = 123 C.F.S.

H.W. = 5.0 FT.
V_{OUTLET} = 7.5 F.P.S.

CULVERT DATA

TYPE: S-27 PIPE FOR ROADWAY CULVERT
SIZE: 54" x 122'
SKEW: 30°-00' RT.FWD.

WORK REQUIRED: BUILD 54" CULVERT WITH STANDARD TYPE 'B' HEADWALL RIGHT & LEFT AND PLACE CHANNEL PROTECTION ON LT. AS SHOWN. EXCAVATE CHANNEL ON RIGHT. PROVIDE MANHOLE AS SHOWN.