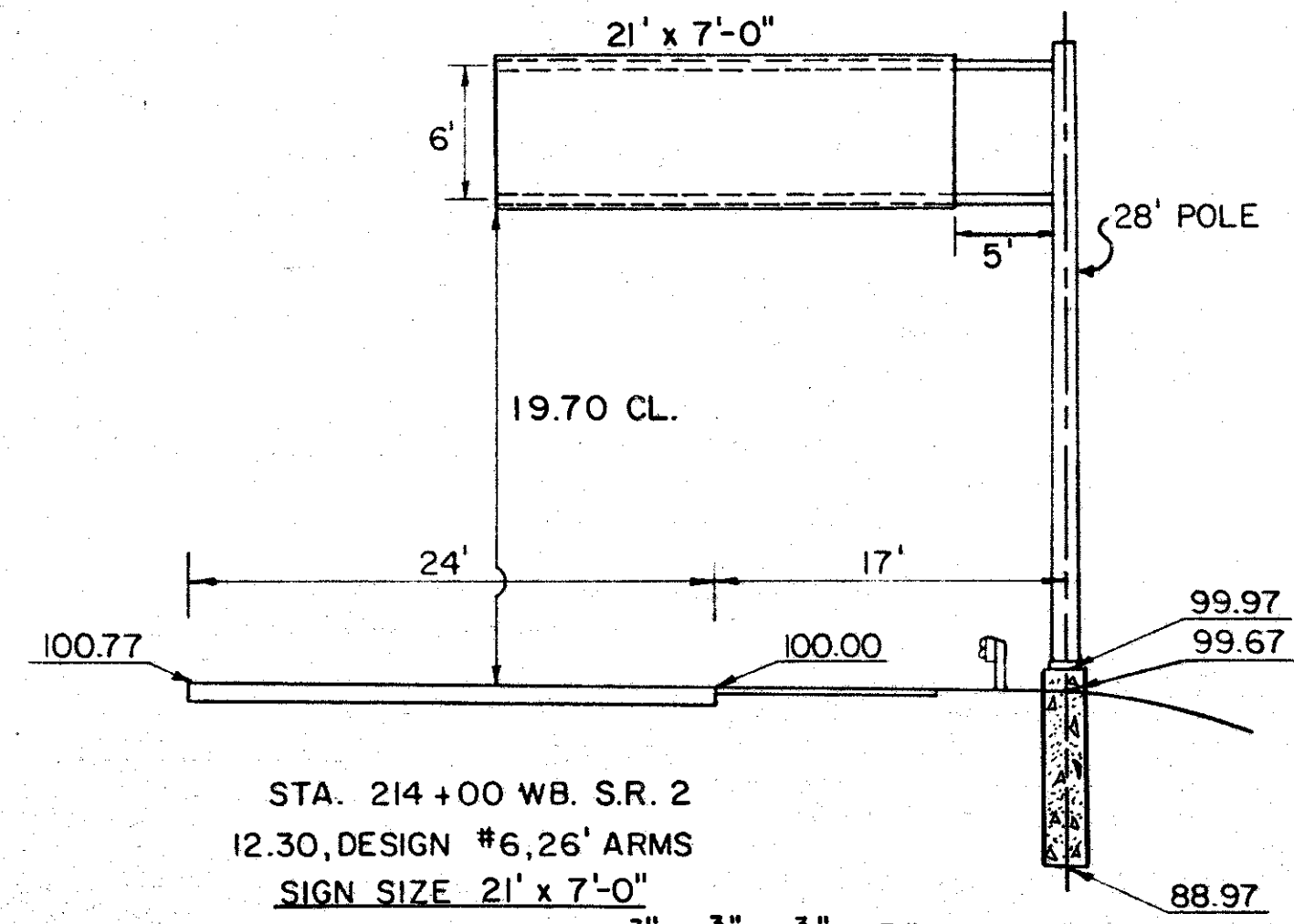
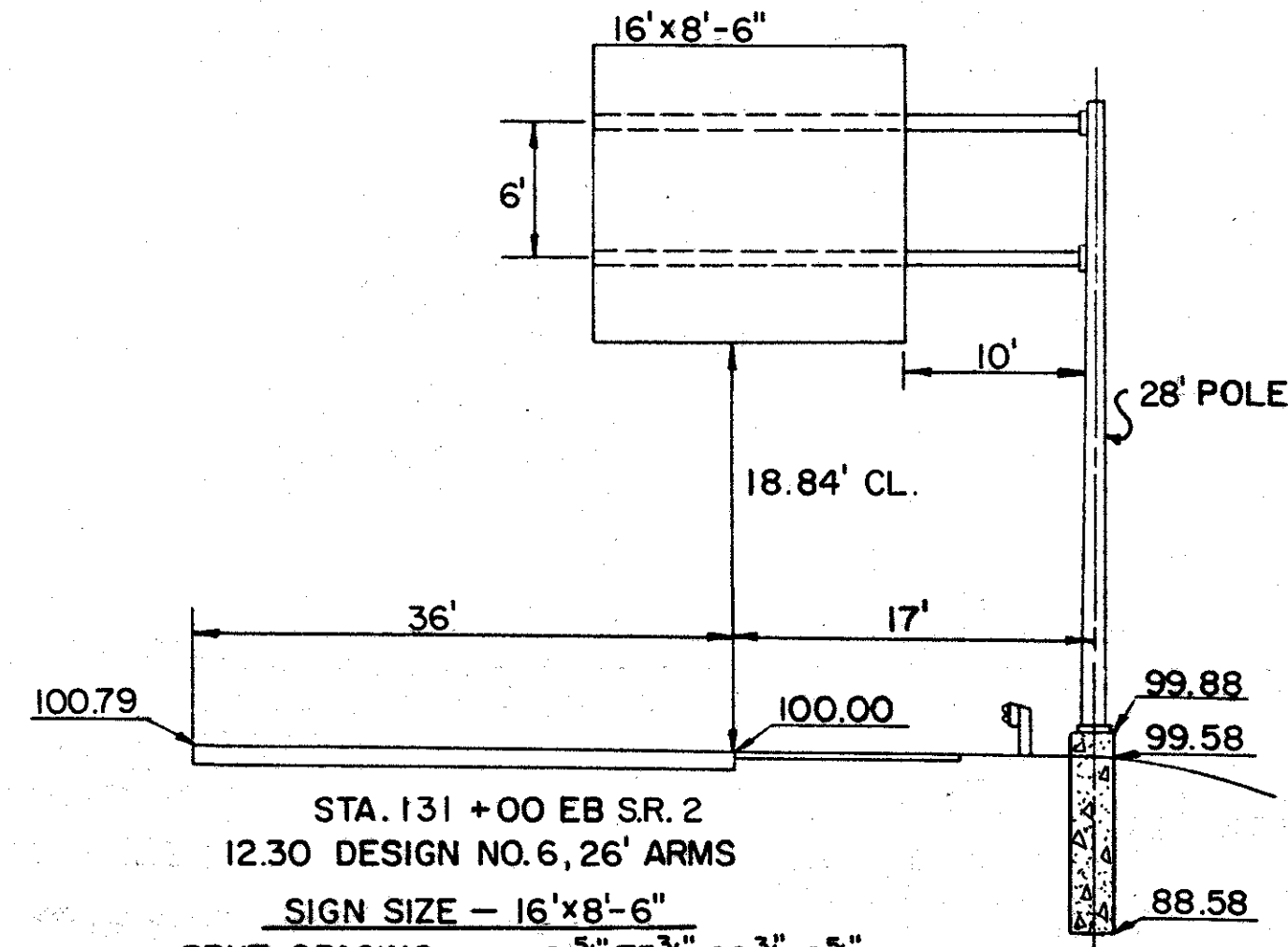


265



STA. 214+00 WB. S.R. 2  
 12.30, DESIGN #6, 26' ARMS  
 SIGN SIZE 21' x 7'-0"  
 BRKT. SPACING - 13", 75<sup>3</sup>/<sub>8</sub>", 75<sup>3</sup>/<sub>8</sub>", 75<sup>3</sup>/<sub>8</sub>", 12<sup>7</sup>/<sub>8</sub>"  
 NO. OF BRKTS. - 4 Z BRKTS. - HEIGHT 7'-0"

11



STA. 131+00 EB S.R. 2  
 12.30 DESIGN NO. 6, 26' ARMS  
 SIGN SIZE - 16' x 8'-6"  
 BRKT SPACING - 8<sup>5</sup>/<sub>8</sub>", 75<sup>3</sup>/<sub>8</sub>", 99<sup>3</sup>/<sub>8</sub>", 8<sup>5</sup>/<sub>8</sub>"  
 NO. OF BRKTS - 3Z BRKTS, HT. - 8'-6"

FHWA REGION	STATE	PROJECT
5	OHIO	

136  
171

LAKE COUNTY  
 LAKE - 2 - 0.00