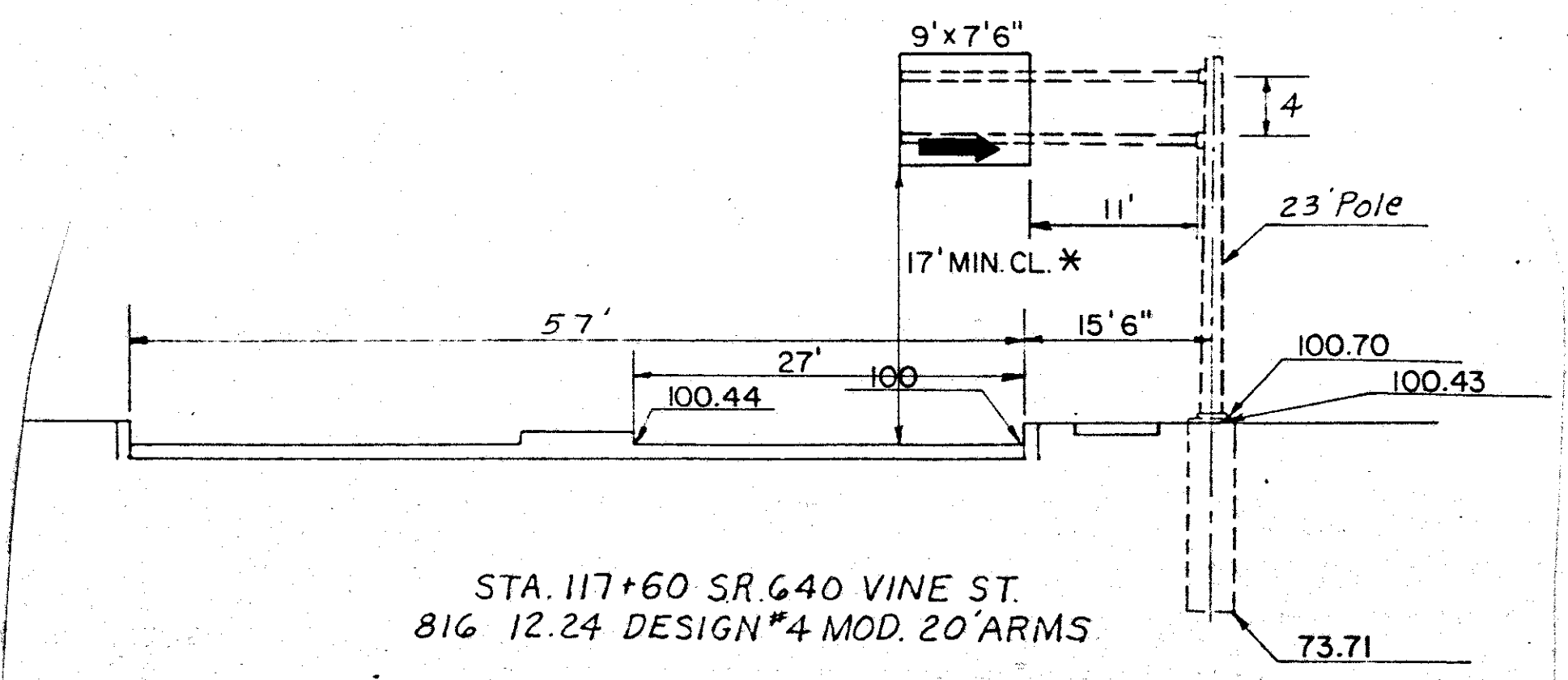


194

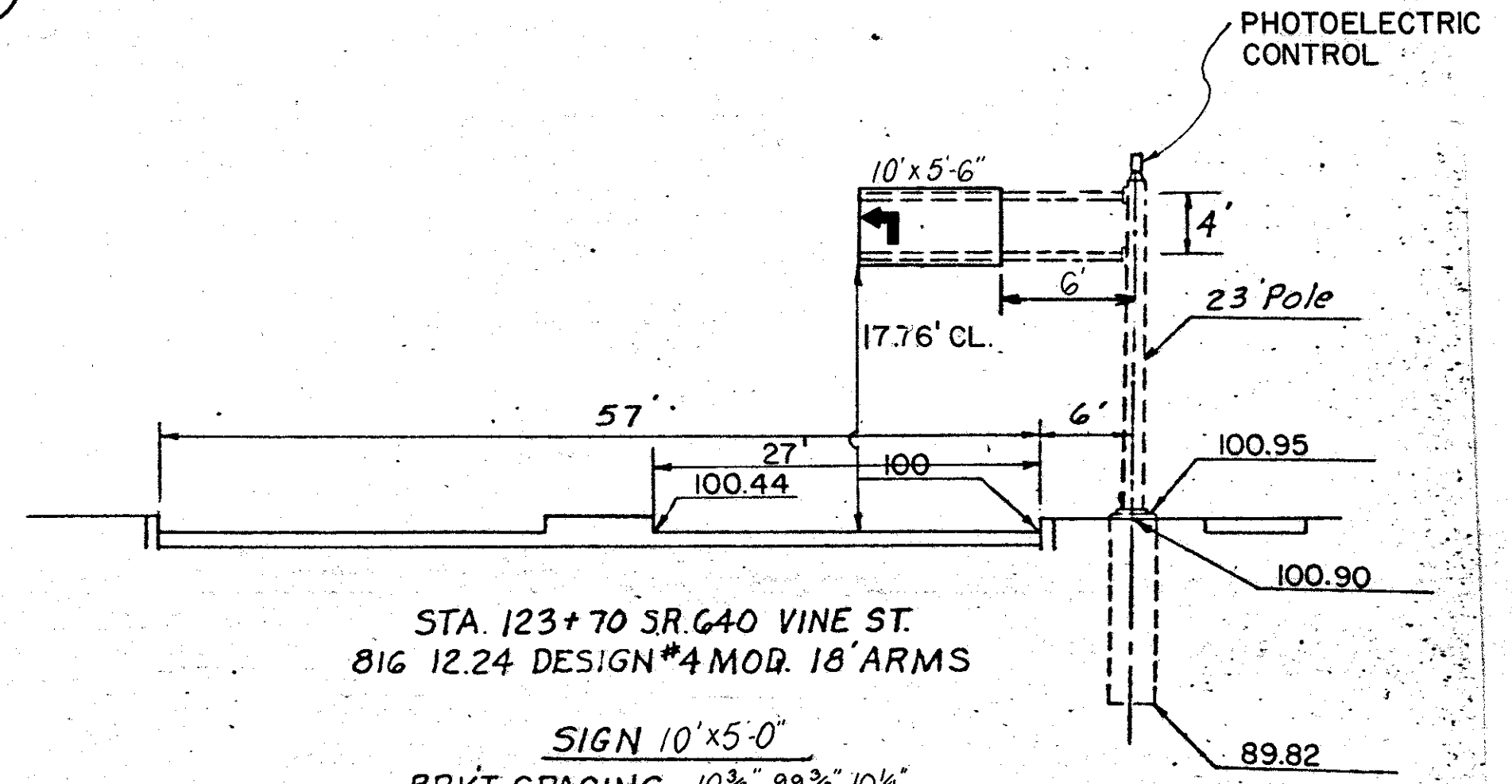


STA. 117+60 SR. 640 VINE ST.
816 12.24 DESIGN #4 MOD. 20' ARMS

SIGN 9' x 7'
BRKT. SPACING - 16 3/8", 75 3/8", 16 1/4"
No. OF BRKTS - 2 Z BRKTS HT. - 7' 6"

* SIGN MUST BE OFFSET VERTICALLY TO
ACHIEVE 17' MINIMUM CLEARANCE.

197



STA. 123+70 SR. 640 VINE ST.
816 12.24 DESIGN #4 MOD. 18' ARMS

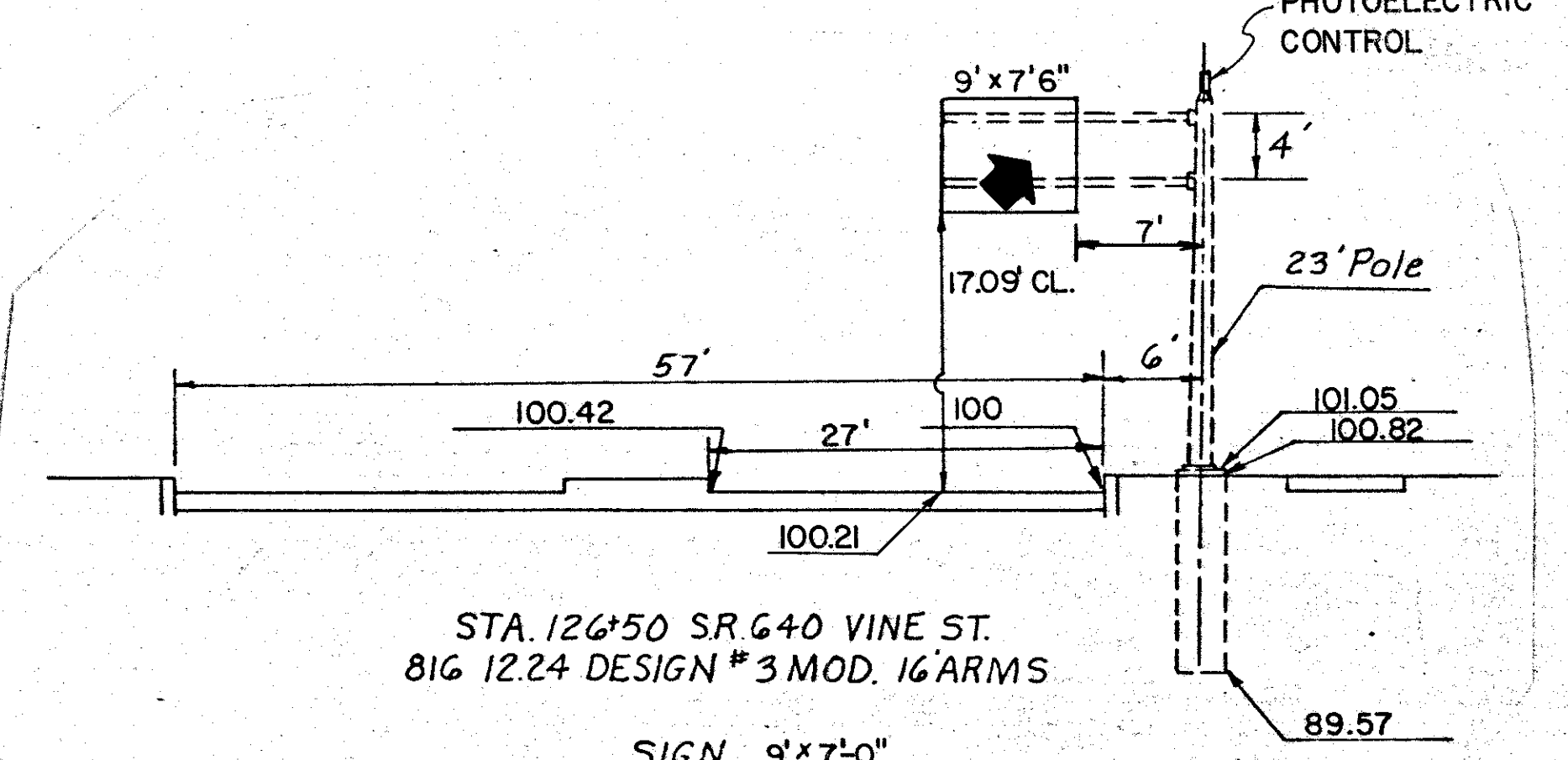
SIGN 10' x 5' 0"
BRKT. SPACING - 10 3/8", 99 3/8", 10 1/4"
No. OF BRKTS - 2 Z BRKTS, HT. - 5' 6"

198

FHWA REGION	STATE	PROJECT
5	OHIO	

134
171

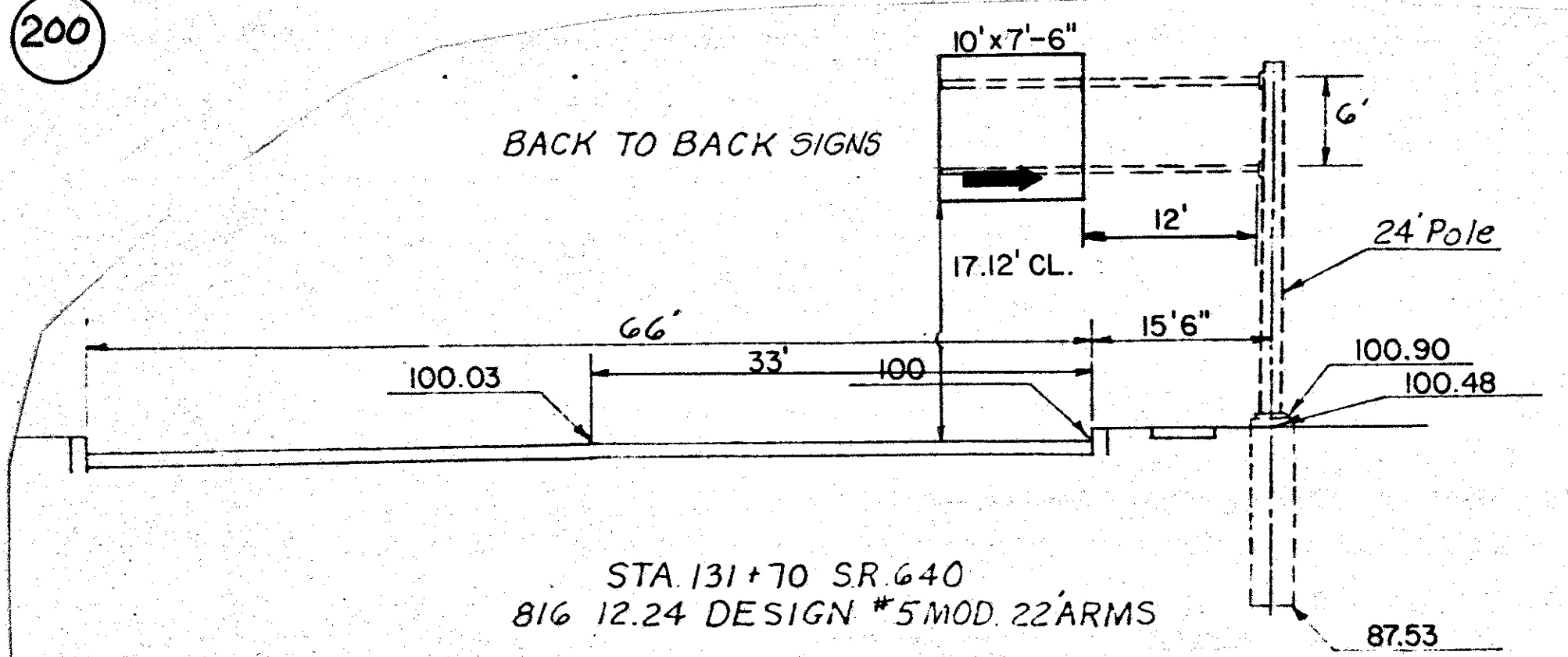
LAKE COUNTY
LAKE - 2 - 0.00



STA. 126+50 SR. 640 VINE ST.
816 12.24 DESIGN #3 MOD. 16' ARMS

SIGN 9' x 7' 0"
BRKT. SPACING - 16 3/8", 75 3/8", 16 1/4"
No. OF BRKTS - 2 Z BRKTS HT. - 7' 6"

200

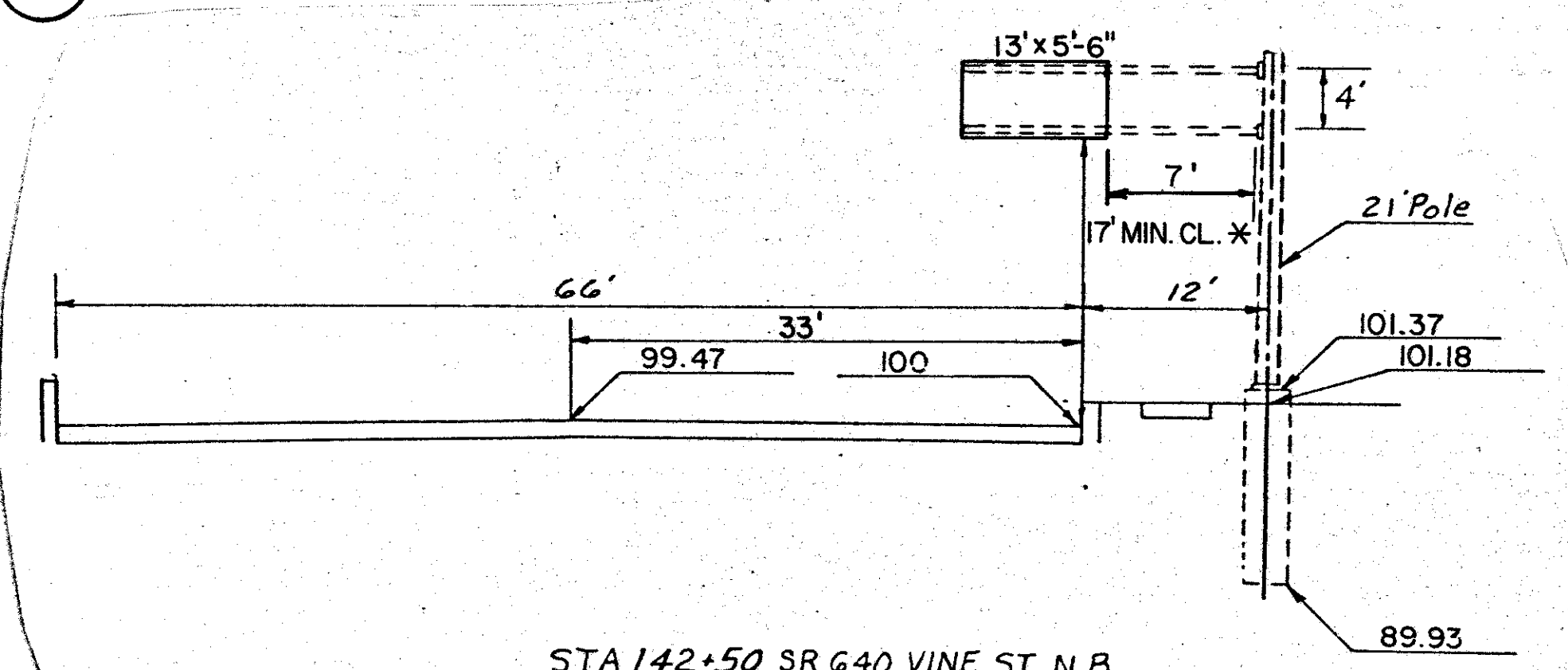


STA. 131+70 SR. 640
816 12.24 DESIGN #5 MOD. 22' ARMS

SIGN 10' x 7' 0"
BRKT. SPACING - 10 3/8", 99 3/8", 10 1/4"
No. OF BRKTS - 2 Z BRKTS HT. - 7' 6"

SIGN 10' x 7' 0"
BRKT. SPACING - 10 3/8", 99 3/8", 10 1/4"
No. OF BRKTS - 2 Z BRKTS HT. - 7' 6"

202

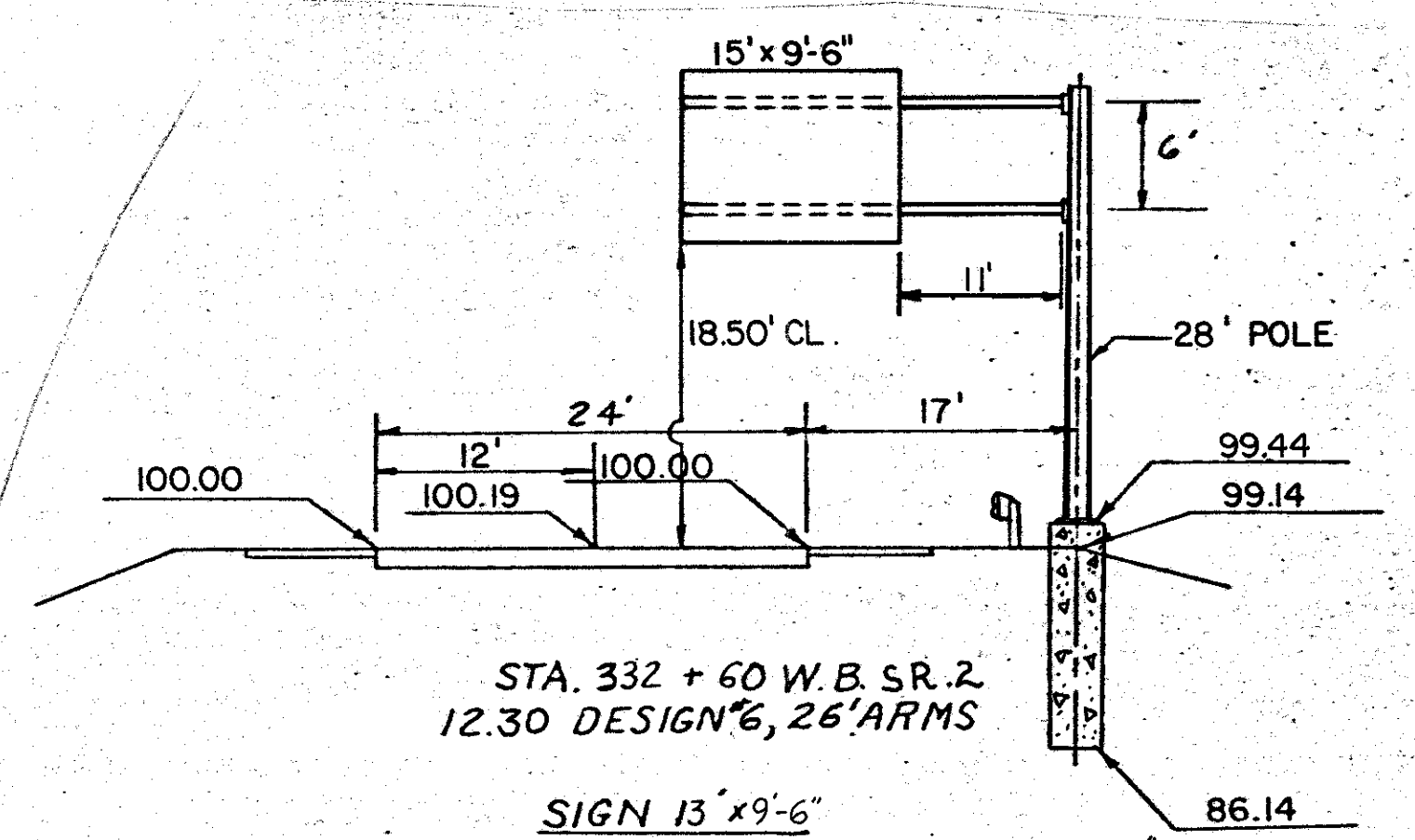


STA. 142+50 SR. 640 VINE ST. N.B.
816 12.24 DESIGN #4 MOD. 20' ARMS

SIGN 13' x 5' 6"
BRKT. SPACING - 6", 72", 72", 6"
No. OF BRKTS - 3 Z BRKTS HT. - 5' 6"

* SIGN MUST BE OFFSET VERTICALLY
TO ACHIEVE 17' MINIMUM CLEARANCE

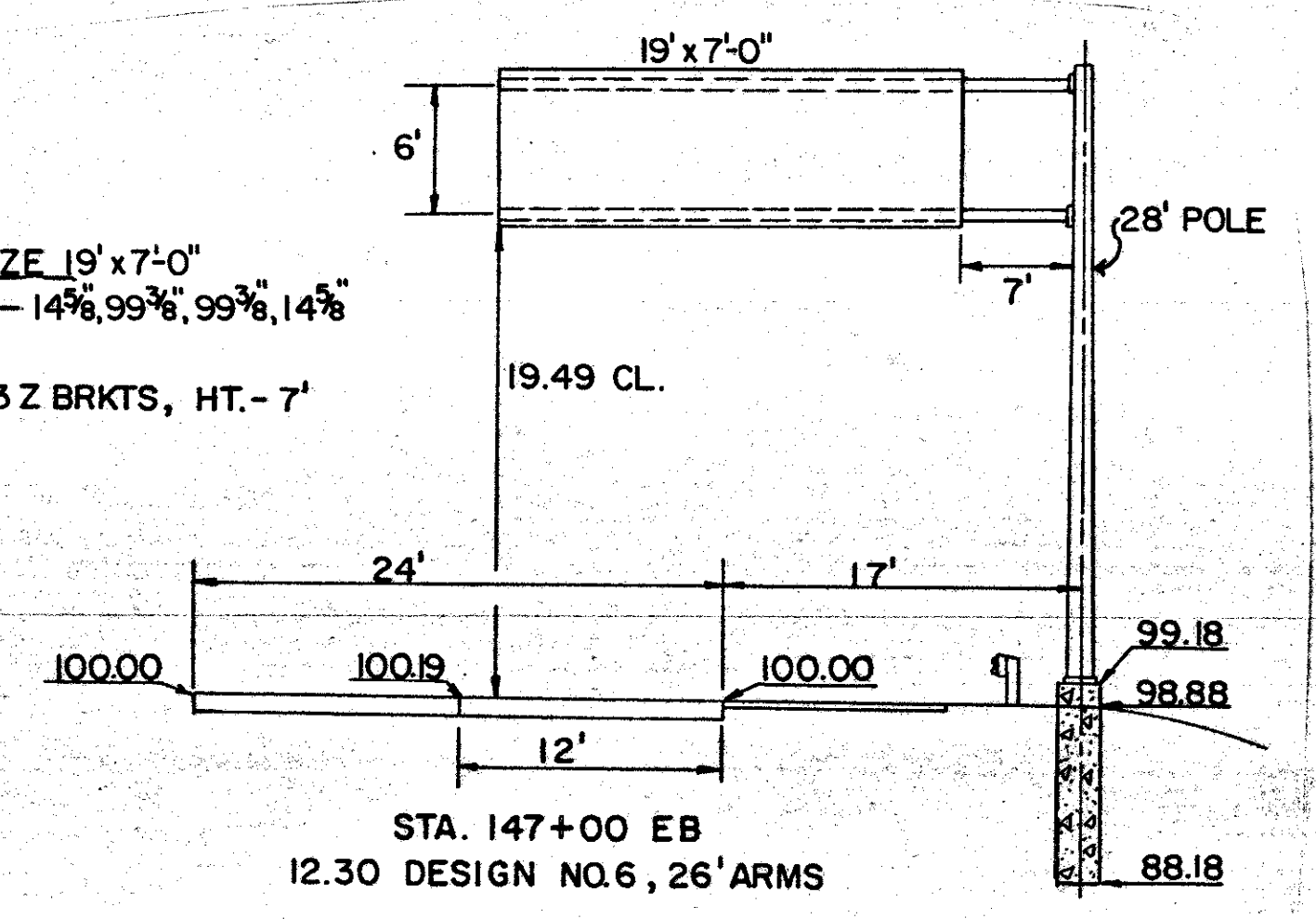
205



STA. 332 + 60 W.B. SR. 2
12.30 DESIGN #6, 26' ARMS

SIGN 15' x 9' 6"
BRKT. SPACING - 14 3/8", 75 3/8", 75 3/8", 14 3/8"
No. OF BRKTS - 3 Z BRKTS HT. - 9' 6"

213



SIGN SIZE 19' x 7' 0"
BRKT. SPACING - 14 3/8", 99 3/8", 99 3/8", 14 3/8"
No. OF BRKTS - 3 Z BRKTS, HT. - 7'

STA. 147+00 EB
12.30 DESIGN NO. 6, 26' ARMS