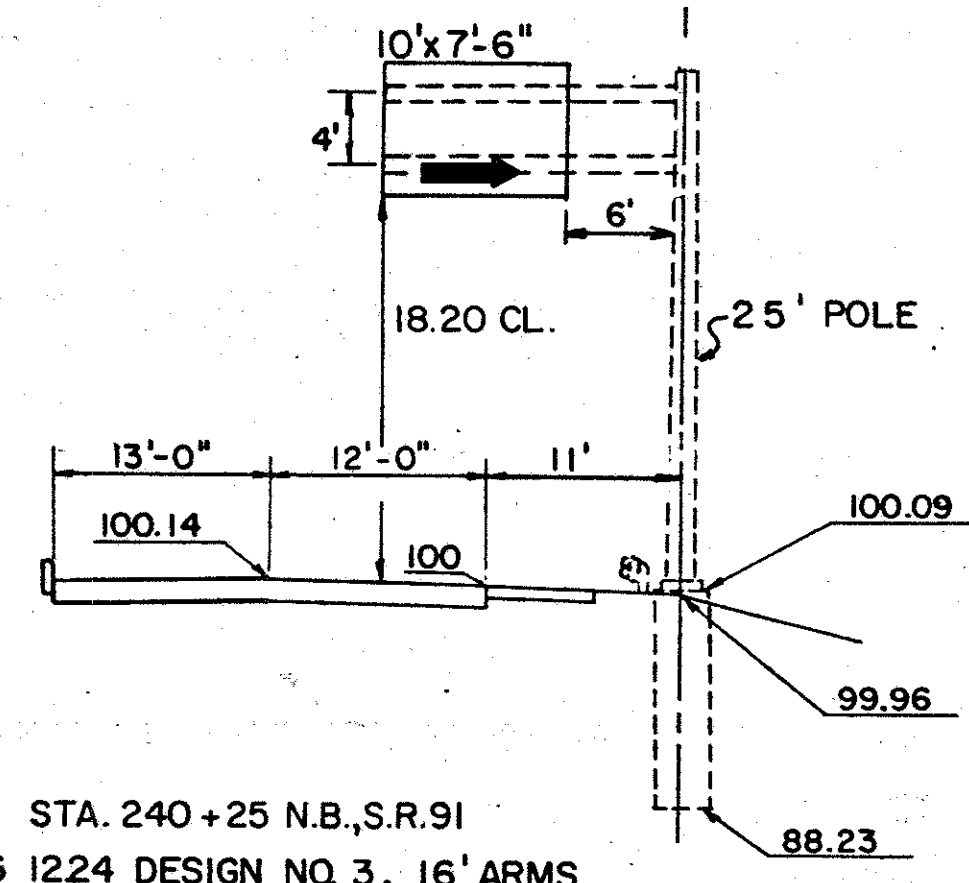


151

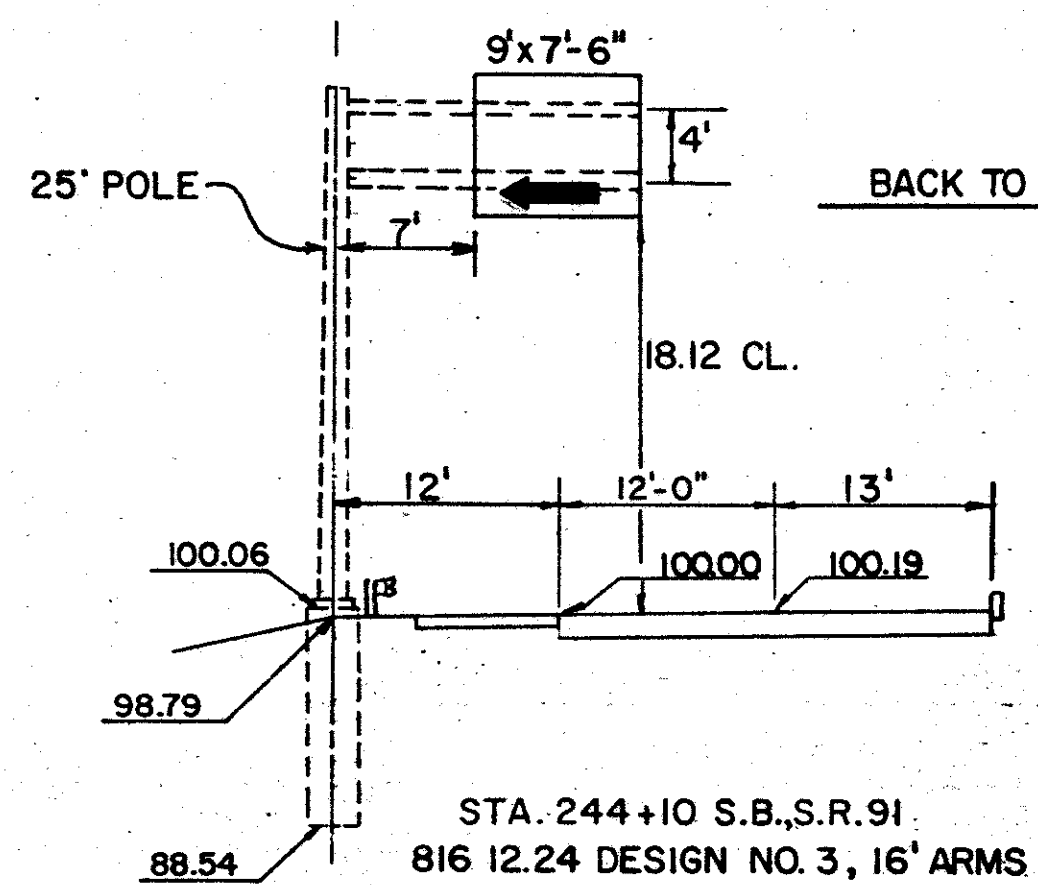
BACK TO BACK SIGNS



STA. 240+25 N.B., S.R. 91
 816 1224 DESIGN NO. 3, 16' ARMS
 SIGN 10' x 7'
 BRKT SPACING - 10 3/8", 99 3/8", 10 1/4"
 NO. OF BRKTS - 2 Z BRKTS, HT. - 7'-6"
 SIGN 10' x 7'
 BRKT SPACING - 10 3/8", 99 3/8", 10 1/4"
 NO. OF BRKTS - 2 Z BRKTS, HT. - 7'-6"

153

BACK TO BACK SIGNS



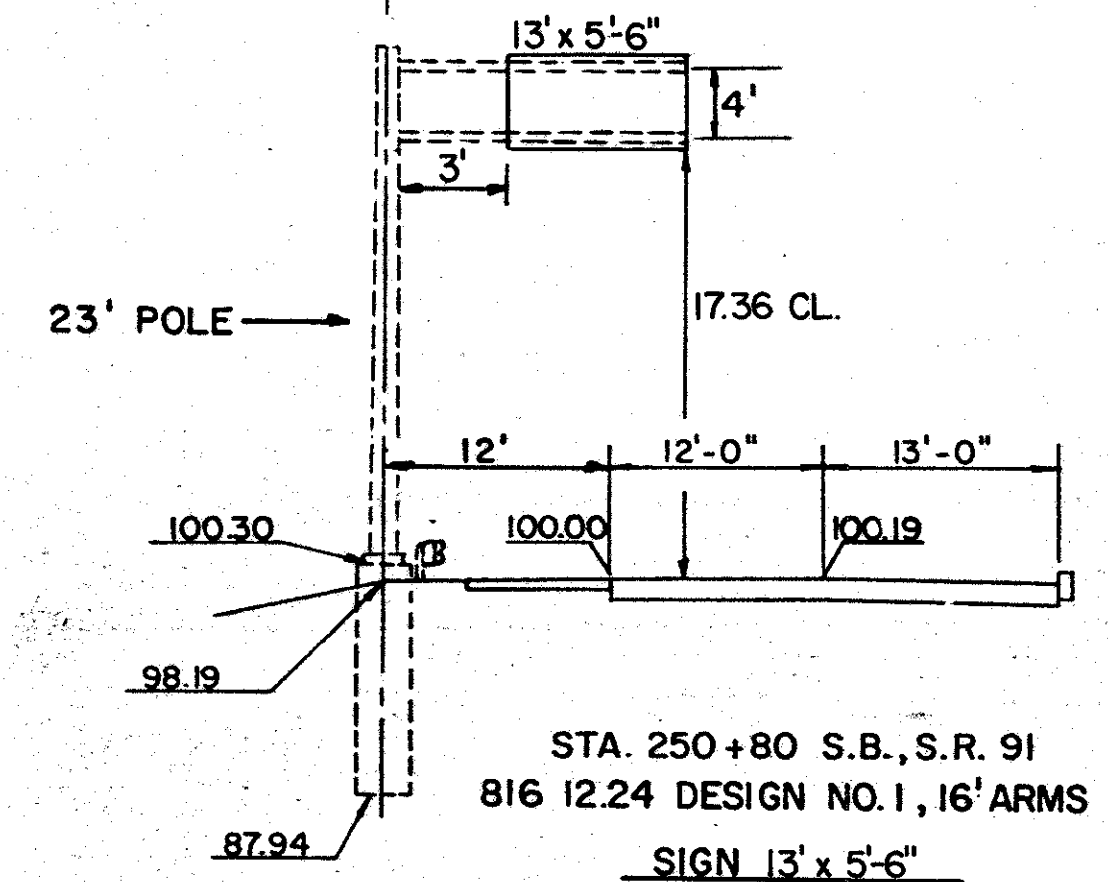
STA. 244+10 S.B., S.R. 91
 816 12.24 DESIGN NO. 3, 16' ARMS
 SIGN 9' x 7'
 BRKT SPACING - 16 3/8", 75 3/8", 16 1/4"
 NO. OF BRKTS - 2 Z BRKTS, HT. - 7'-6"
 SIGN 9' x 7'
 BRKT SPACING - 16 3/8", 75 3/8", 16 1/4"
 NO. OF BRKTS - 2 Z BRKTS, HT. - 7'-6"

155

FHWA REGION	STATE	PROJECT
5	OHIO	

133
171

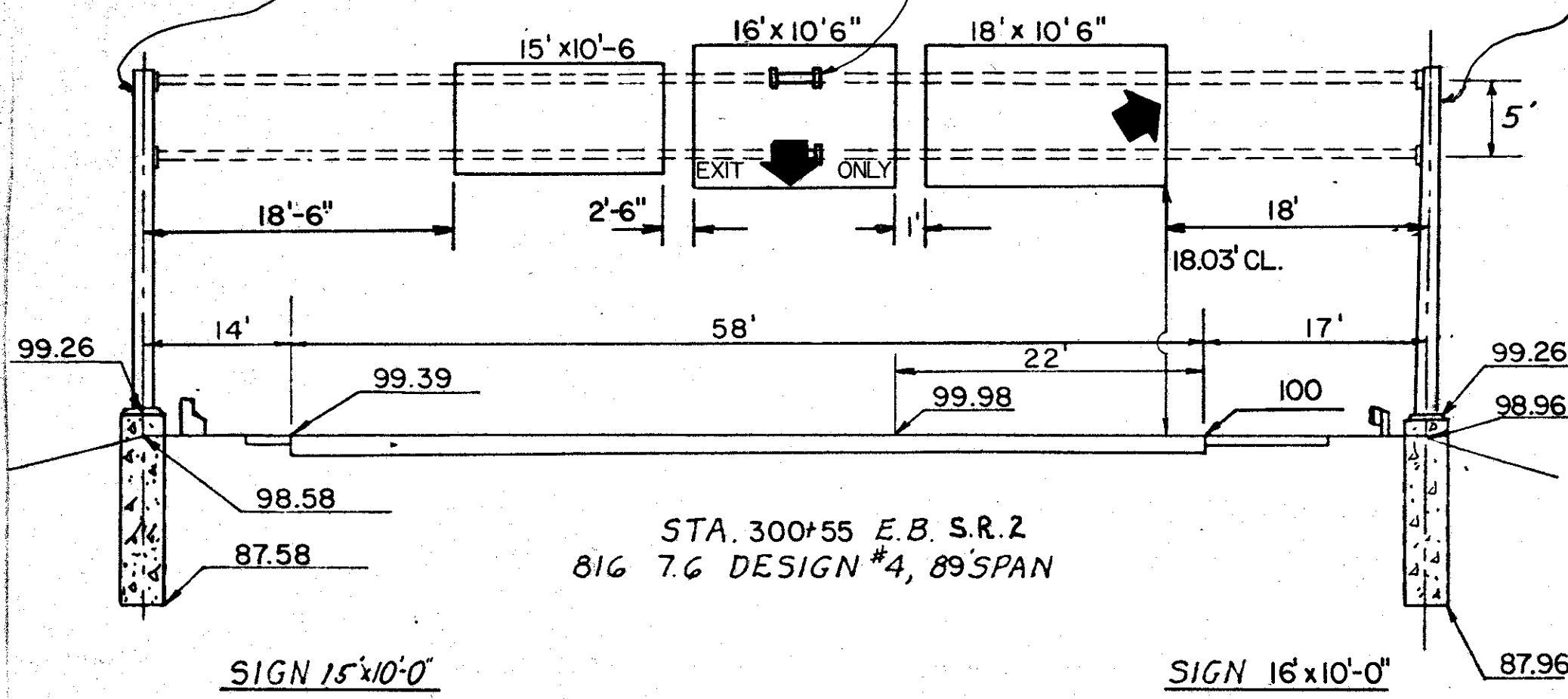
LAKE COUNTY
LAKE - 2 - 0.00



STA. 250+80 S.B., S.R. 91
 816 12.24 DESIGN NO. 1, 16' ARMS
 SIGN 13' x 5'-6"
 BRKT SPACING - 6", 72", 72", 6"
 NO. OF BRKTS - 3 Z BRKTS, HT. - 5'-6"

157

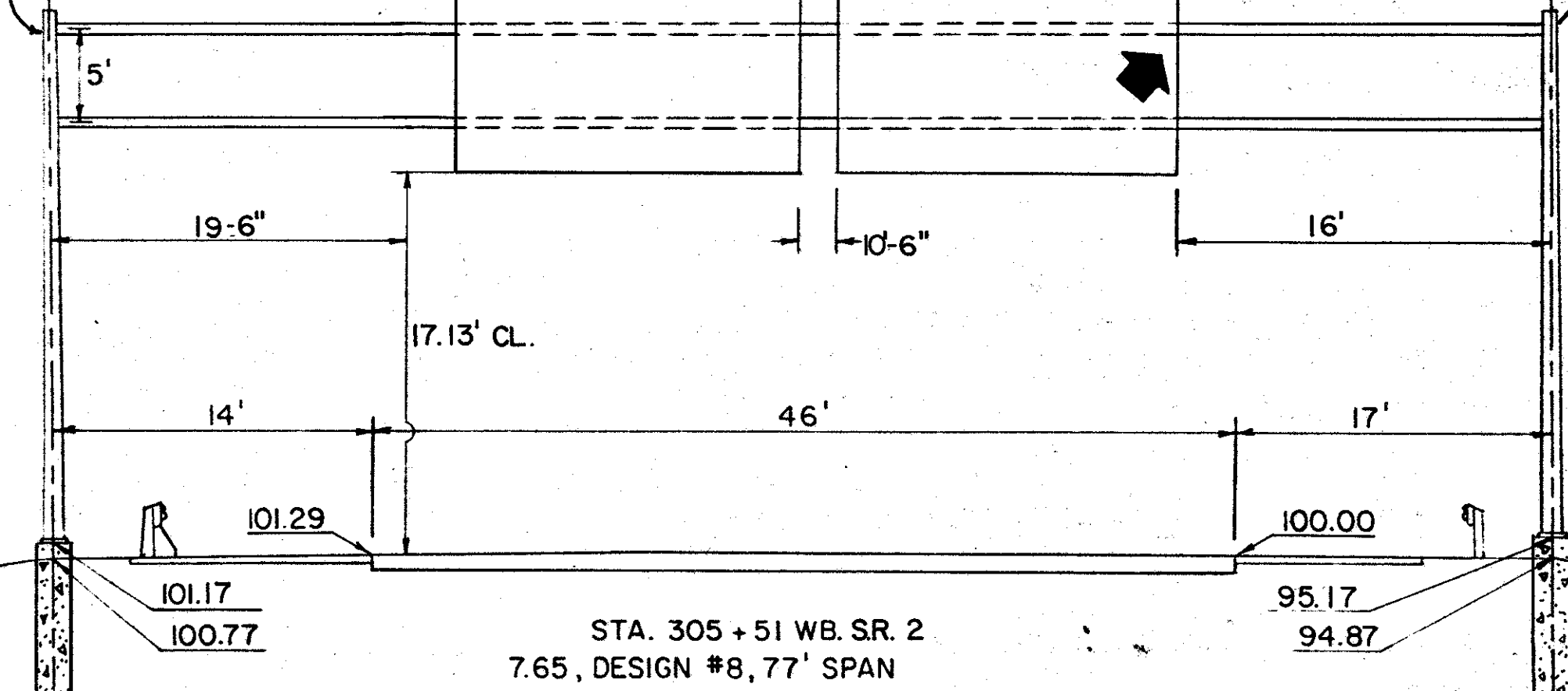
RELOCATED SUPPORT FROM STA. 301+00 (SPAN LENGTH INCREASED FROM 87')
 NEW 2' BOX TRUSS SECTION
 NEW 27'-6" END FRAME



STA. 300+55 E.B. S.R. 2
 816 7.6 DESIGN #4, 89' SPAN
 SIGN 15' x 10'-0"
 BRKT. SPACING - 14 3/8", 75 3/8", 75 3/8", 14 5/8"
 No. OF BRKTS - 3, 2 BRKTS, HT. - 10'-6"
 SIGN 16' x 10'-0"
 BRKT. SPACING - 8 5/8", 75 3/8", 99 3/8", 14 5/8"
 No. OF BRKTS - 3 Z BRKTS, HT. - 10'-6"
 SIGN 18' x 10'-0"
 BRKT. SPACING - 8 5/8", 99 3/8", 99 3/8", 8 5/8"
 No. OF BRKTS - 3, 2 BRKTS, HT. - 10'-6"

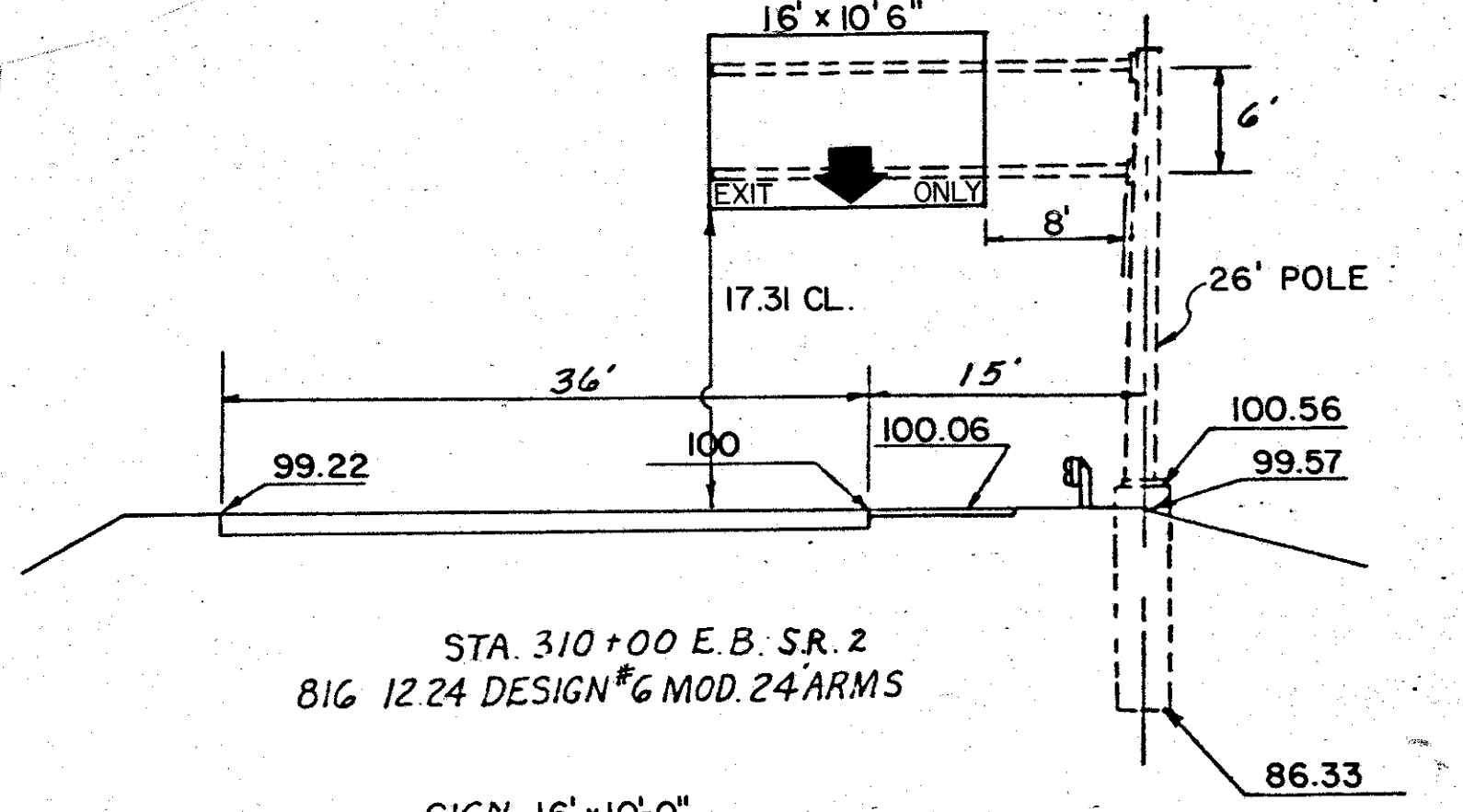
163

26'-0" END FRAME
 13' x 10'-6"
 18' x 10'-6"
 32' END FRAME MODIFIED



STA. 305+51 W.B. S.R. 2
 7.65, DESIGN #8, 77' SPAN
 SIGN SIZE 13' x 10'-0"
 BRKT. SPACING - 6", 72", 72", 6"
 NO. OF BRKTS - 3 Z BRKTS - HEIGHT 10'-6"
 SIGN SIZE 18' x 10'-0"
 BRKT. SPACING - 8 5/8", 99 3/8", 99 3/8", 8 5/8"
 NO. OF BRKTS - 3 Z BRKTS - HEIGHT - 10'-6"

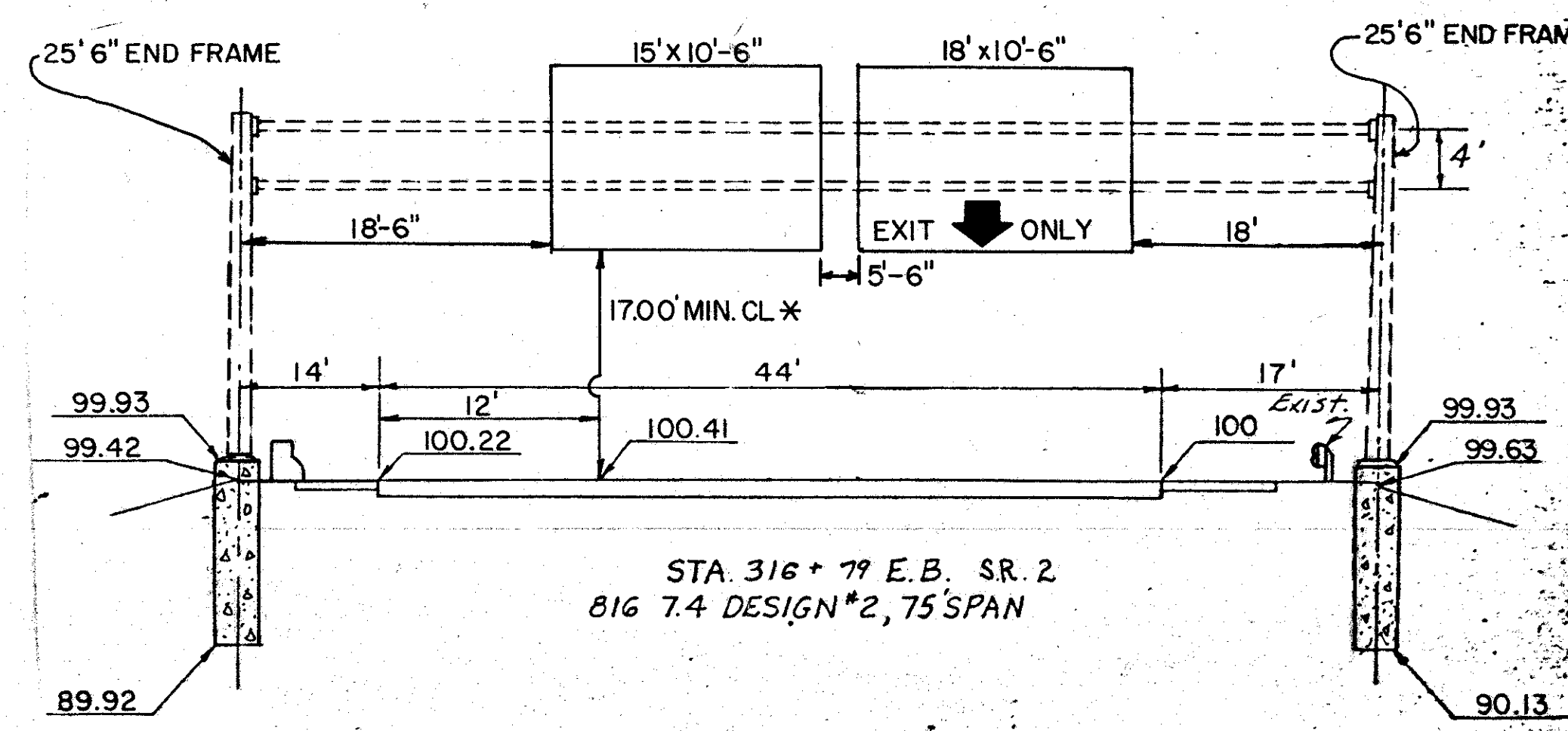
166



STA. 310+00 E.B. S.R. 2
 816 12.24 DESIGN #6 MOD. 24' ARMS
 SIGN 16' x 10'-0"
 BRKT. SPACING - 8 5/8", 75 3/8", 99 3/8", 8 5/8"
 No. OF BRKTS - 3 Z BRKTS, HT. - 10'-6"

167

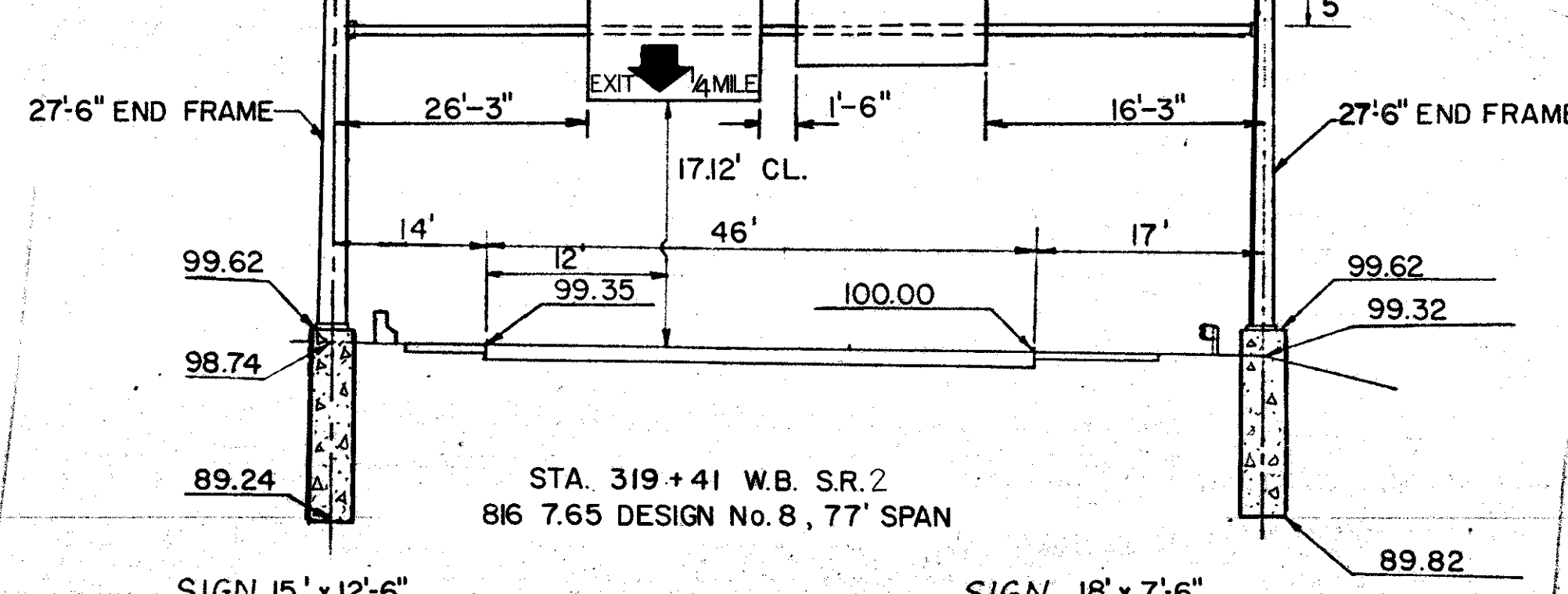
RELOCATED SUPPORT FROM STA. 317+20 * SIGN MUST BE OFFSET VERTICALLY TO ACHIEVE 17' MINIMUM CLEARANCE



STA. 316+79 E.B. S.R. 2
 816 7.4 DESIGN #2, 75' SPAN
 SIGN 15' x 10'-0"
 BRKT. SPACING - 14 3/8", 75 3/8", 75 3/8", 14 5/8"
 No. OF BRKTS - 3, 2 BRKTS, HT. - 10'-6"
 SIGN 18' x 10'-0"
 BRKT. SPACING - 8 5/8", 99 3/8", 99 3/8", 8 5/8"
 No. OF BRKTS - 3, 2 BRKTS, HT. - 10'-6"

171

27'-6" END FRAME
 15' x 13'-0"
 18' x 8'-0"
 27'-6" END FRAME



STA. 319+41 W.B. S.R. 2
 816 7.65 DESIGN No. 8, 77' SPAN
 SIGN 15' x 12'-6"
 BRKT. SPACING - 14 3/8", 75 3/8", 75 3/8", 14 5/8"
 No. OF BRKTS - 3 Z BRKTS, HT. - 13'-0"
 SIGN 18' x 7'-6"
 BRKT. SPACING - 8 5/8", 99 3/8", 99 3/8", 8 5/8"
 No. OF BRKTS - 3 Z BRKTS, HT. - 8'-0"