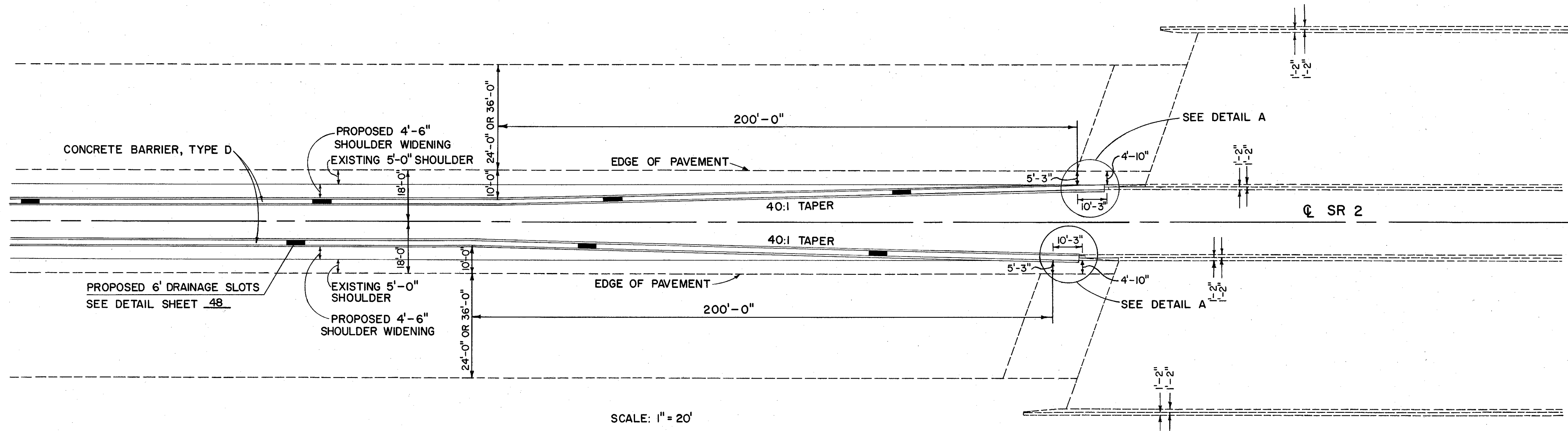


# BARRIER WALL CONNECTION TO BRIDGE

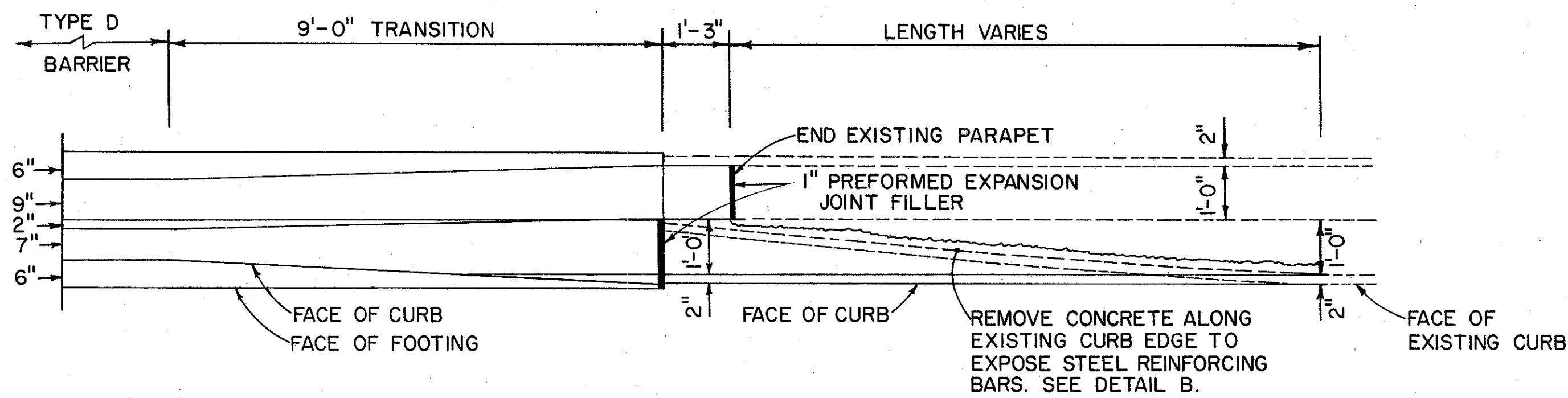
FWWA REGION	STATE	PROJECT	
5	OHIO		

47  
171

LAKE COUNTY  
LAK-2-0.00

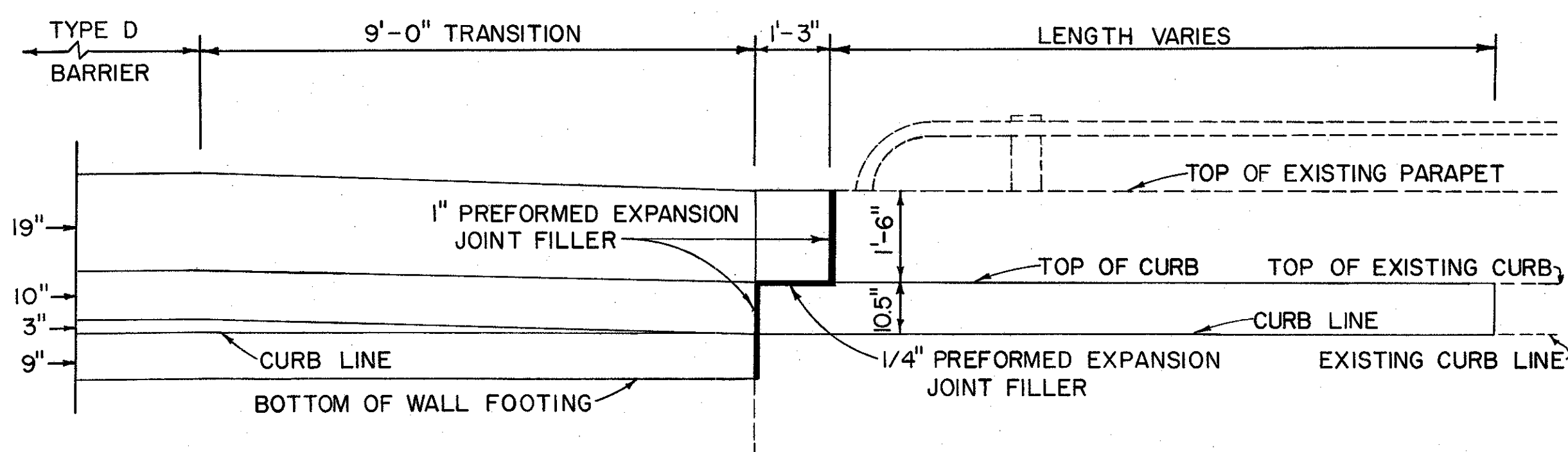


SCALE: 1" = 20'



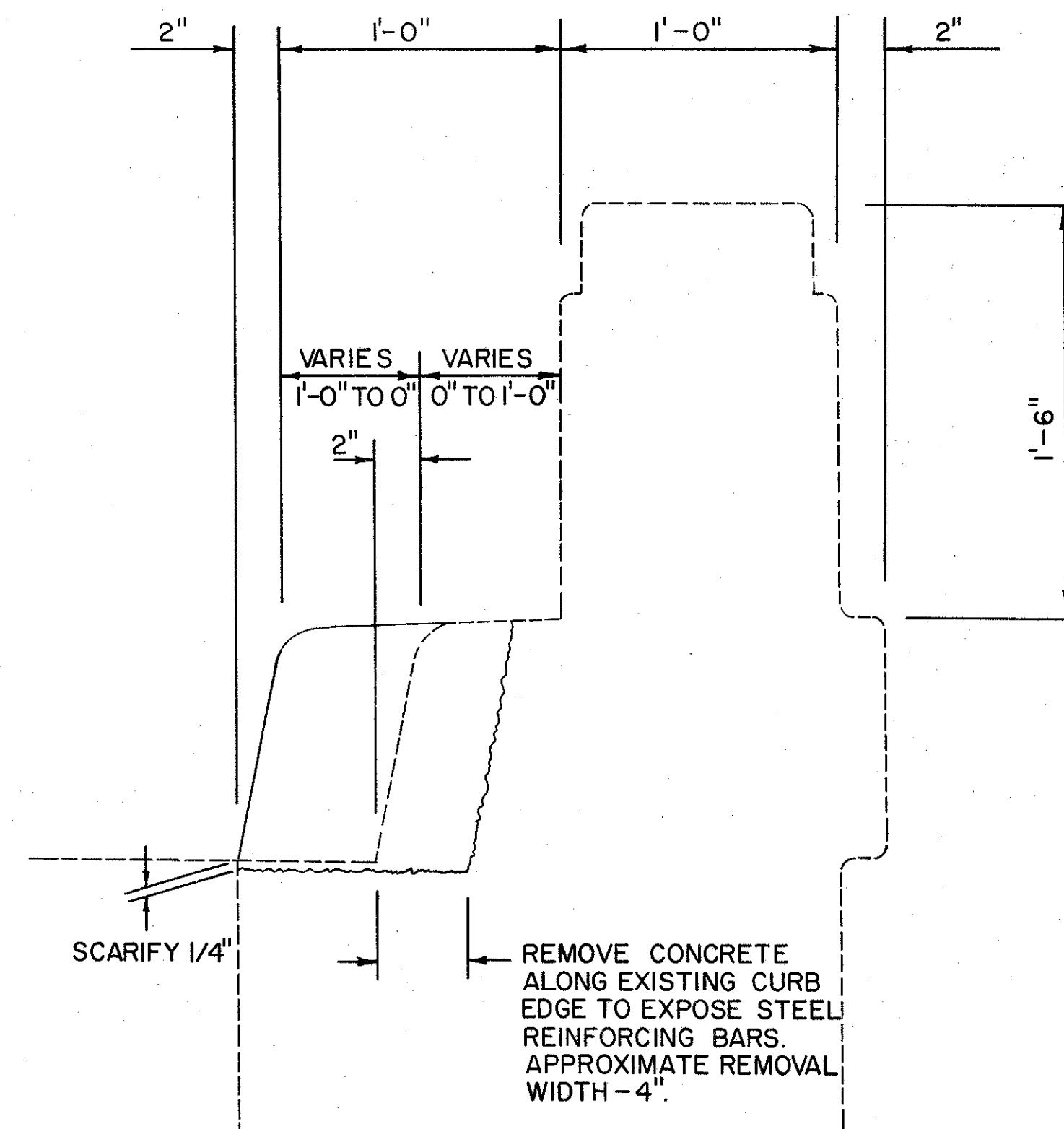
DETAIL A - PLAN VIEW

SCALE: 1/2" = 1'-0"



DETAIL A - ELEVATION

SCALE: 1/2" = 1'-0"



DETAIL B

SCALE: 1" = 0'-6"

NOTE:  
THESE DETAILS ARE TYPICAL TO ALL MAIN LINE BRIDGES WITHIN PROJECT LIMITS EXCEPT LAK-2-0530 L & R & LAK-2-0055 L & R. SEE SHEET NO. 48 FOR TYPICAL CONCRETE BARRIER JUNCTION DETAIL FOR THESE STRUCTURES. USE 40:1 TAPER FOR BARRIER CONNECTION FROM ROADWAY TO BRIDGE FOR THESE STRUCTURES ALSO.

FOR STRUCTURE LAK-2-0055 L & R REMOVE EXISTING SECTIONS OF TYPE D BARRIER TRANSITIONS. FOR QUANTITIES SEE GUARDRAIL SUB-SUMMARIES.

NOTE:  
THE COST OF REMOVING PORTIONS OF THE EXISTING CONCRETE BRIDGE CURB TO EXPOSE STEEL REINFORCING BARS, CONSTRUCTING NEW FULL WIDTH CONCRETE CURB (USING CLASS "C" CONCRETE), CONSTRUCTING CONCRETE BARRIER TRANSITION SECTION (USING CLASS "C" CONCRETE), AND ALL OTHER RELATED WORK SUCH AS PLACING PREFORMED EXPANSION JOINT FILLER MATERIAL, IS TO BE INCLUDED IN THE PERTINENT BID ITEM 622 CONCRETE BARRIER, TYPE D, MODIFIED AS PER PLAN.