

FHWA REGION	STATE	PROJECT
5	OHIO	

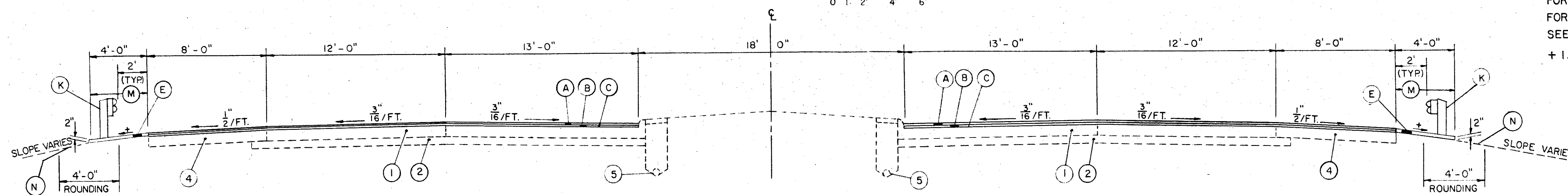
6
171

LAKE COUNTY
LAK-2-0.00

TYPICAL SECTIONS

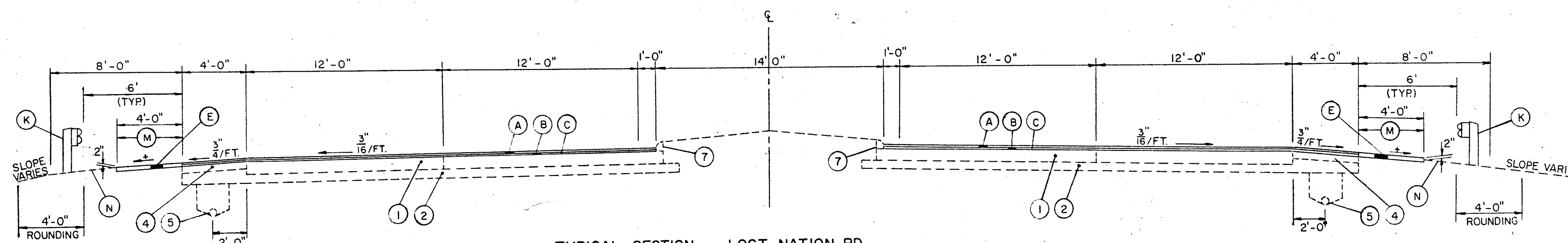
TYPE 848
SCALE IN FEET
0 1 2 4 6

FOR TYPICAL SECTION NOTES AND
FOR PROPOSED AND EXISTING LEGENDS
SEE SHEET NO. 4
+ 1/2"/FT. MIN. SLOPE



TYPICAL SECTION - SR 91

STA. 239 + 25 TO STA. 240 + 22
STA. 243 + 67 TO STA. 245 + 72



TYPICAL SECTION - LOST NATION RD.

STA. 23 + 90 TO STA. 28 + 60
STA. 31 + 60 TO STA. 38 + 15