

CALC.
BY J.P.R.
DATE 6/92
CHKD.
BY J.E.A.
DATE 6/92

LAK - 174 - 2.90
LAKE COUNTY

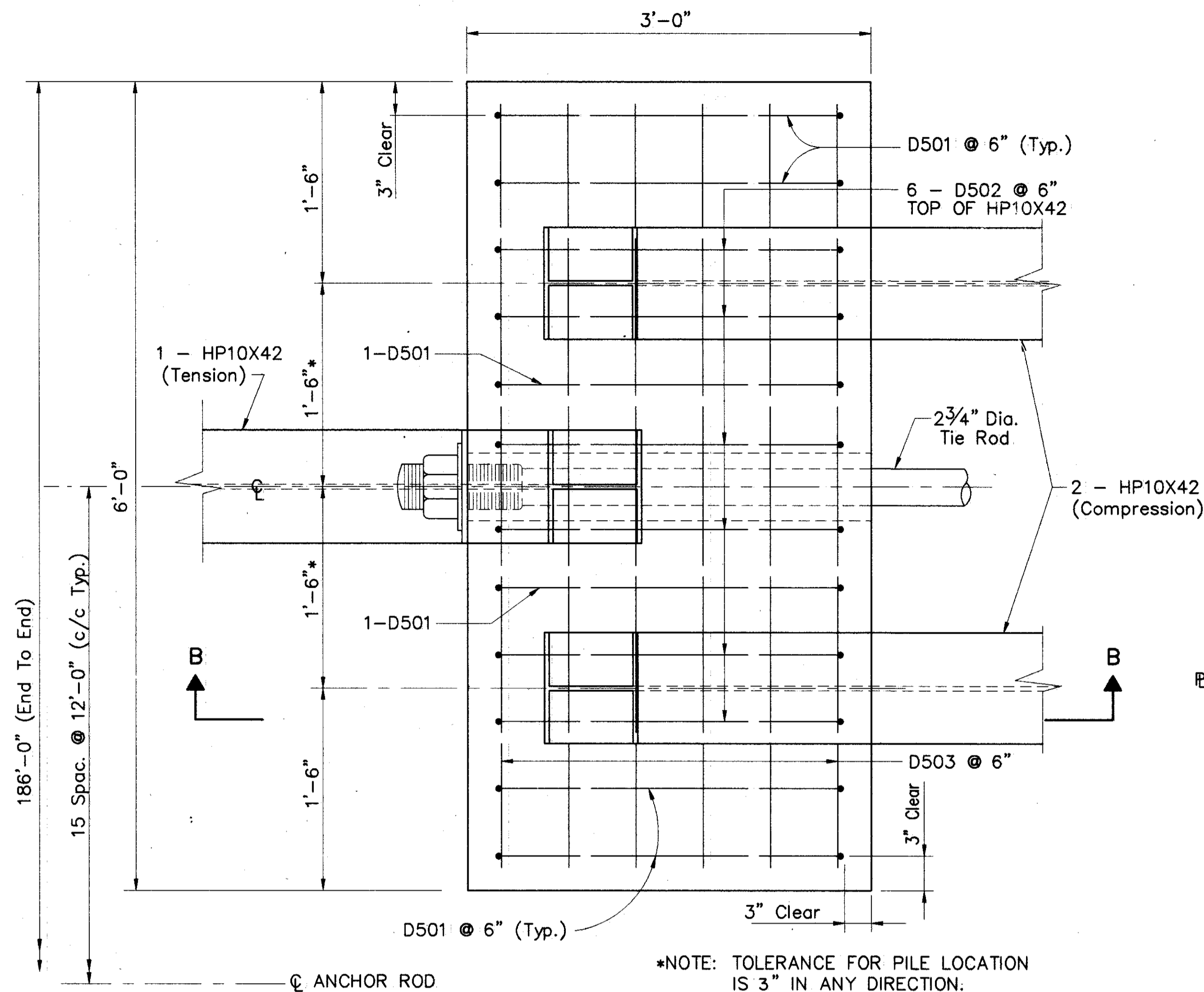
OHIO
FHWA 5
REGION

20
26

PLAN NO. 12D10046

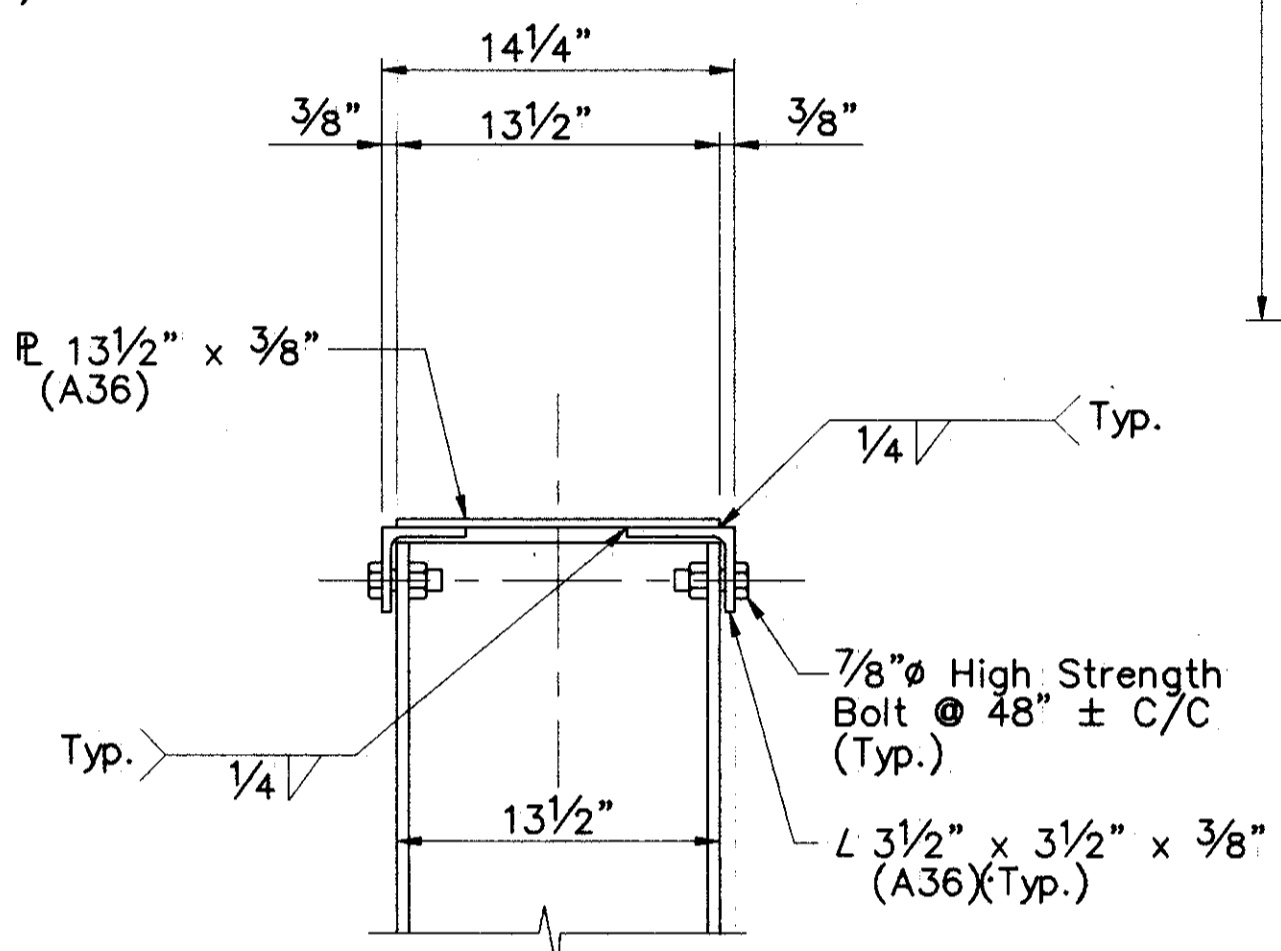
STATION	ELEV. A
152+97	768.44
153+09	768.24
153+21	768.04
153+33	767.84
153+45	767.64
153+57	767.44
153+69	767.24
153+81	767.04
153+93	766.84
154+05	766.64
154+17	766.44
154+29	766.25
154+41	766.05
154+53	765.85
154+65	765.65
154+77	765.45

4" Dia. Welded And Seamless Steel Pipe Sleeve, Conforming To CMS 707.08. Payment To Be Included With Item 511 Class C Concrete, Misc.: Deadman Anchor

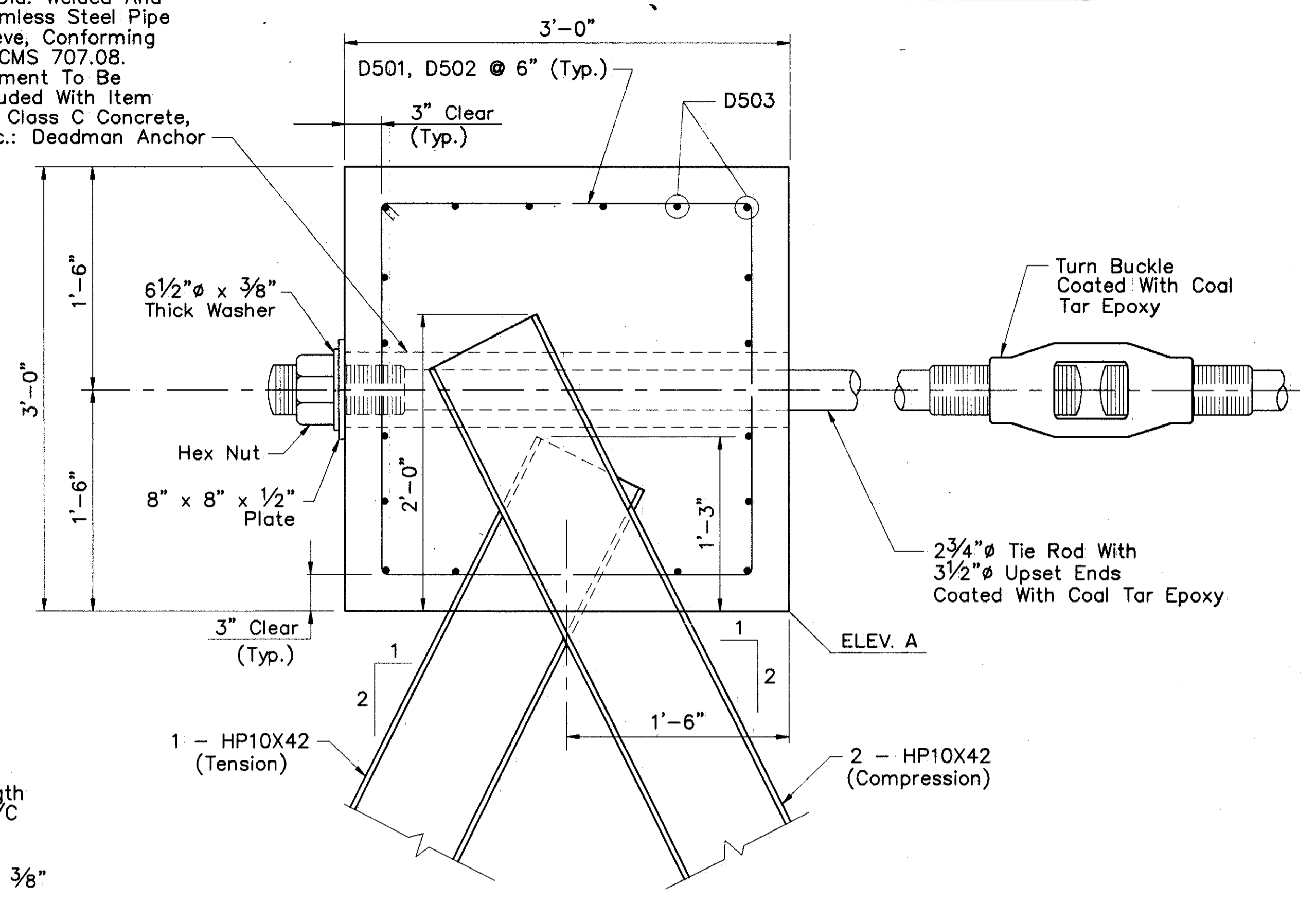


PLAN VIEW - DEADMAN REINFORCEMENT
(Typical For 16)

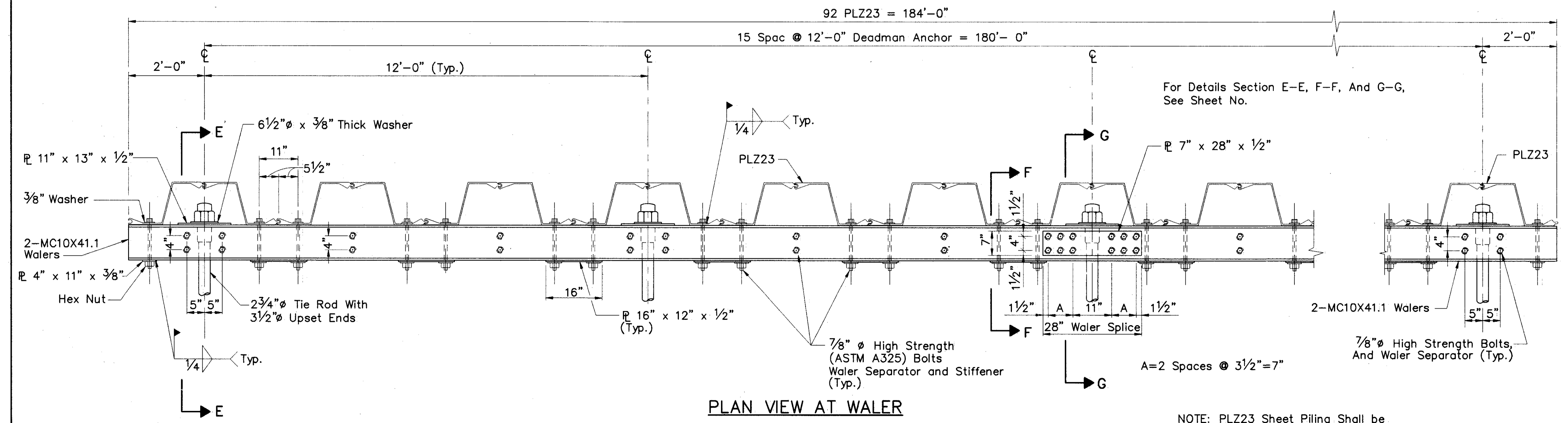
*NOTE: TOLERANCE FOR PILE LOCATION IS 3" IN ANY DIRECTION.



BULKHEAD CAP DETAIL
(Coated with Coal Tar Epoxy)



SECTION B-B



PLAN VIEW AT WALER

NOTE: PL223 Sheet Piling Shall be Coated with Coal Tar Epoxy (Typical)

DEADMAN REINFORCING SCHEDULE				
MARK	NO.	LENGTH	TYPE	WEIGHT
D501	96	10'-6"	10	1052
D502	96	8'-2"	11	818
D503	288	5'-8"	STR	1704
TOTAL (LBS.) =				3574

