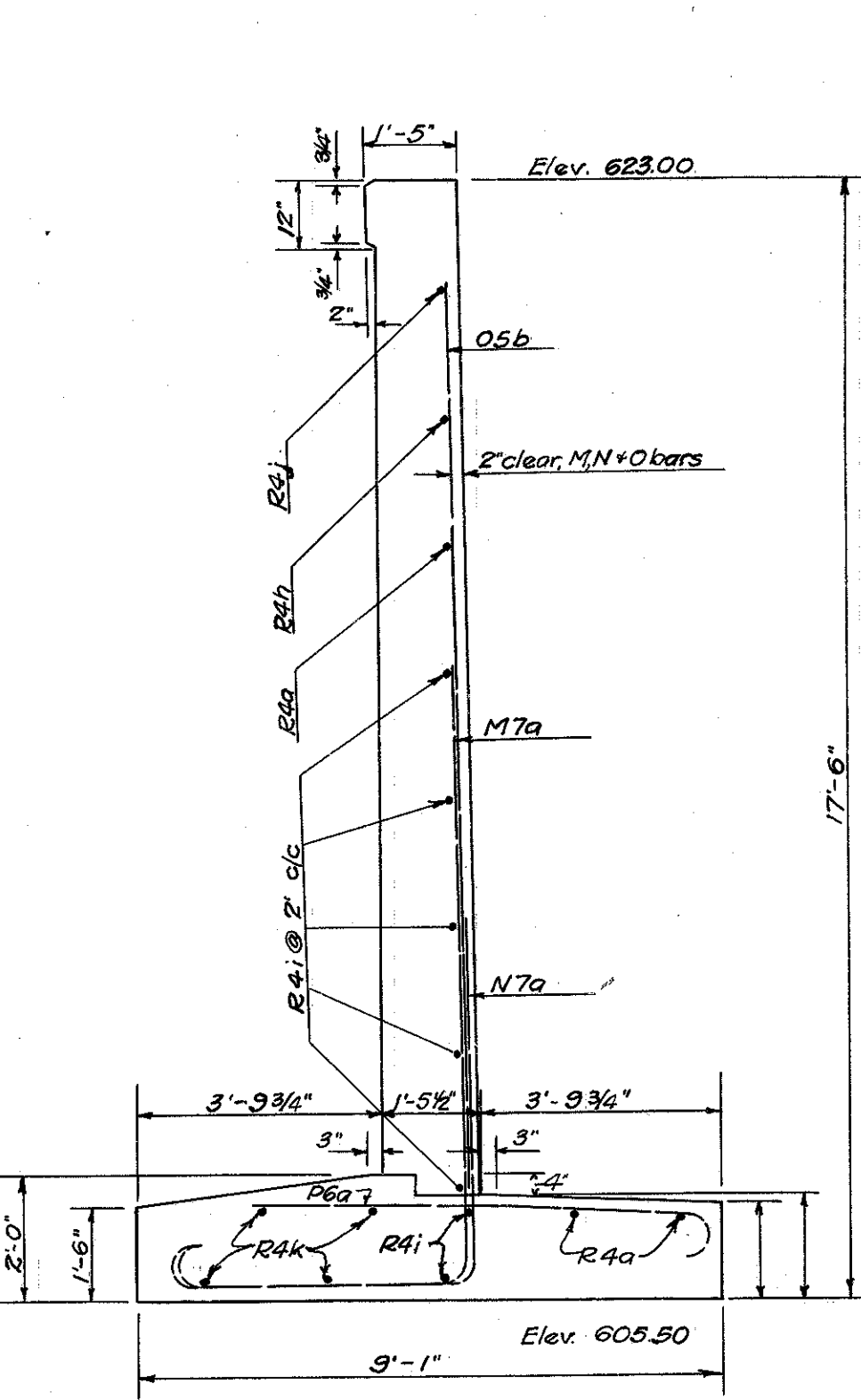
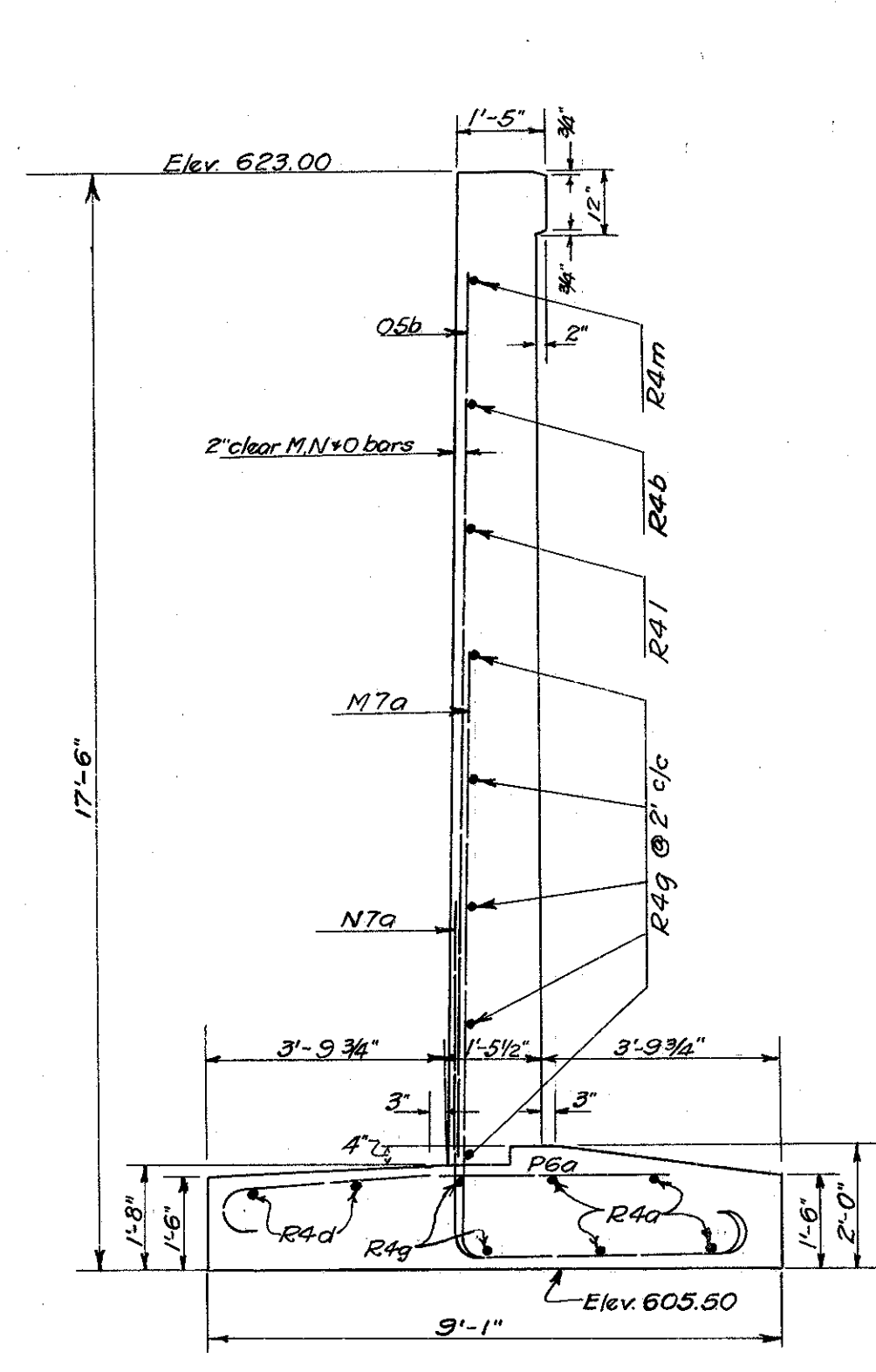


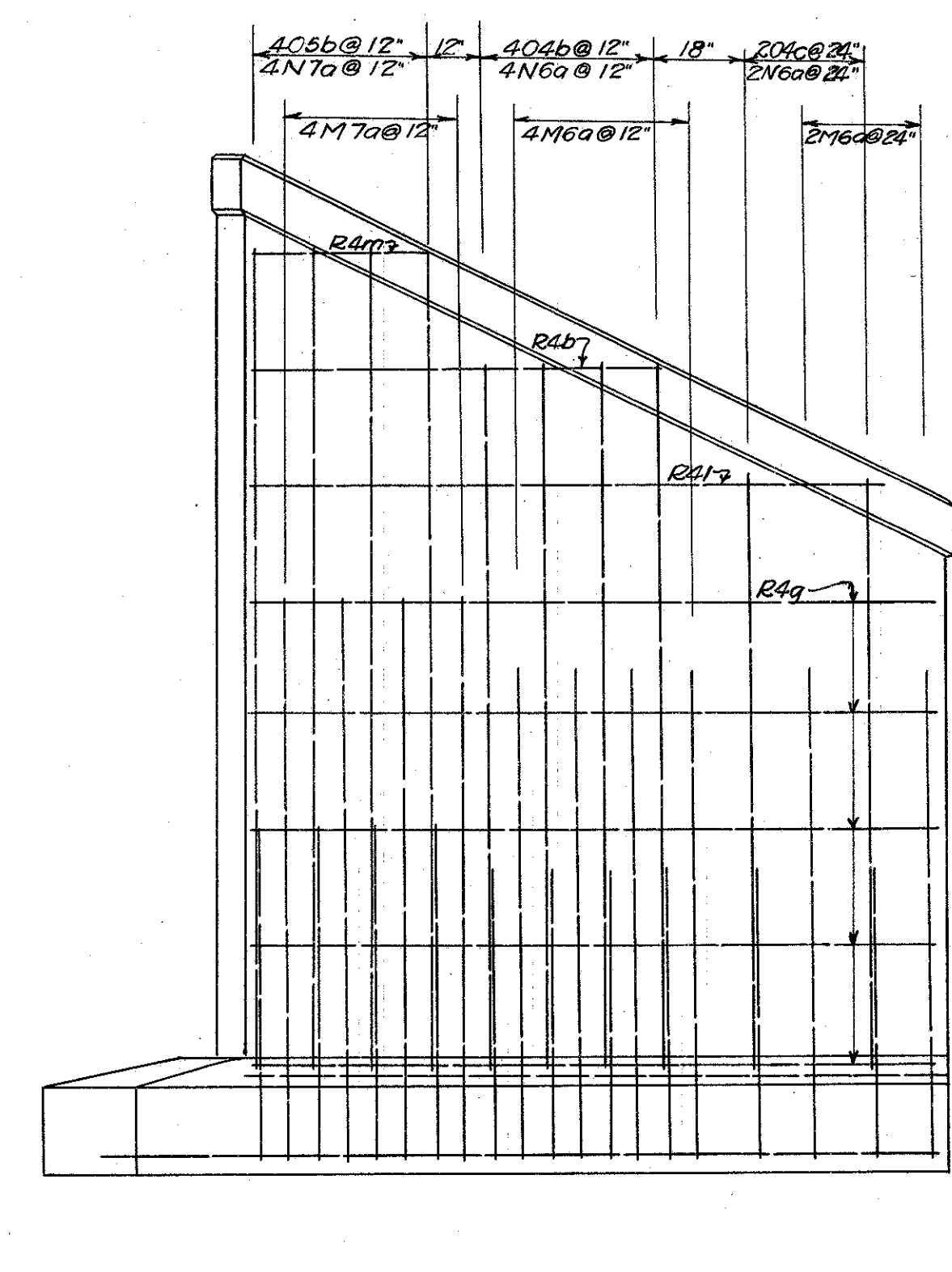
SECTION D-D VIEW F-F SHOWING WING REINF.



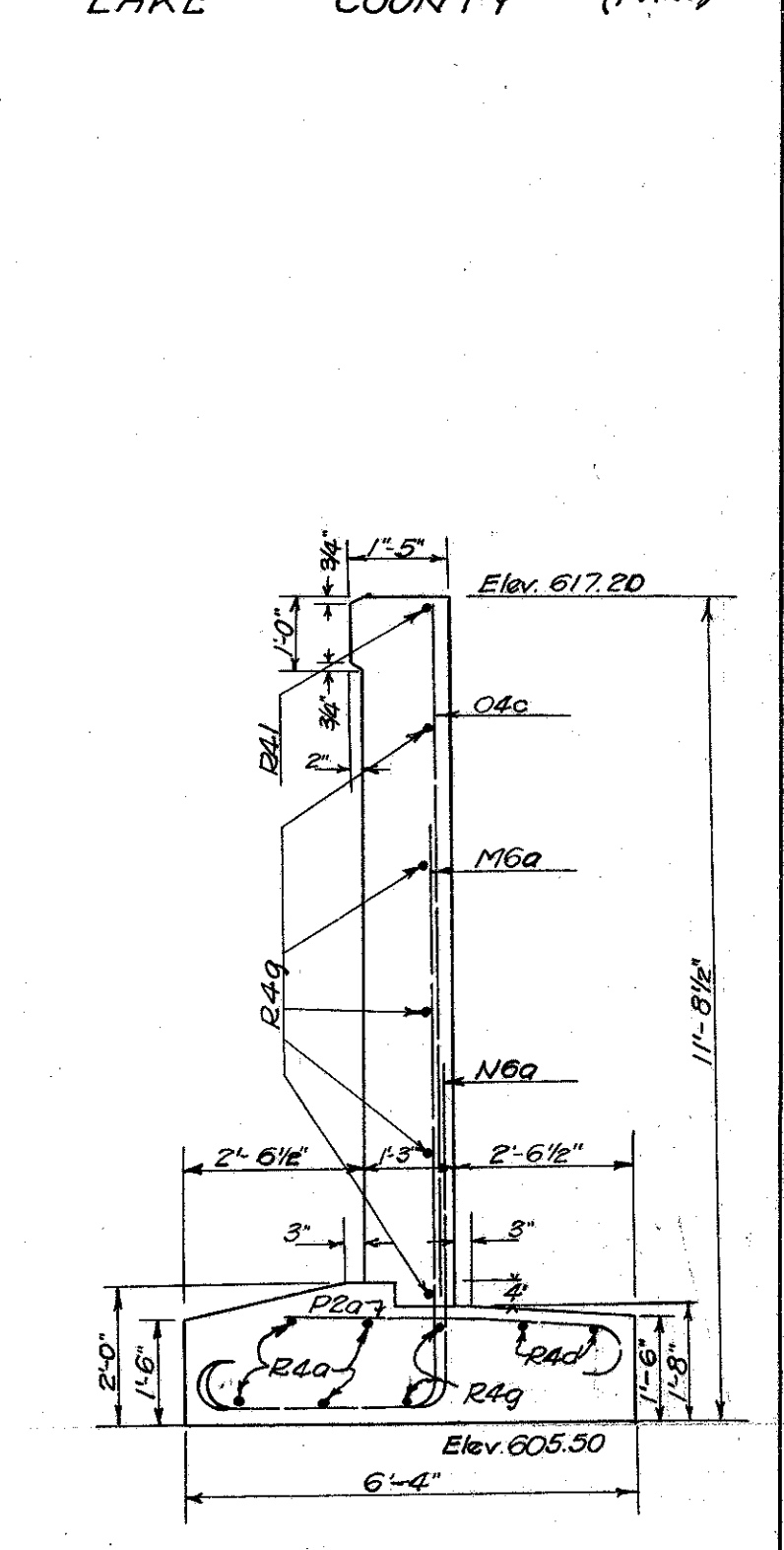
SECTION C-C



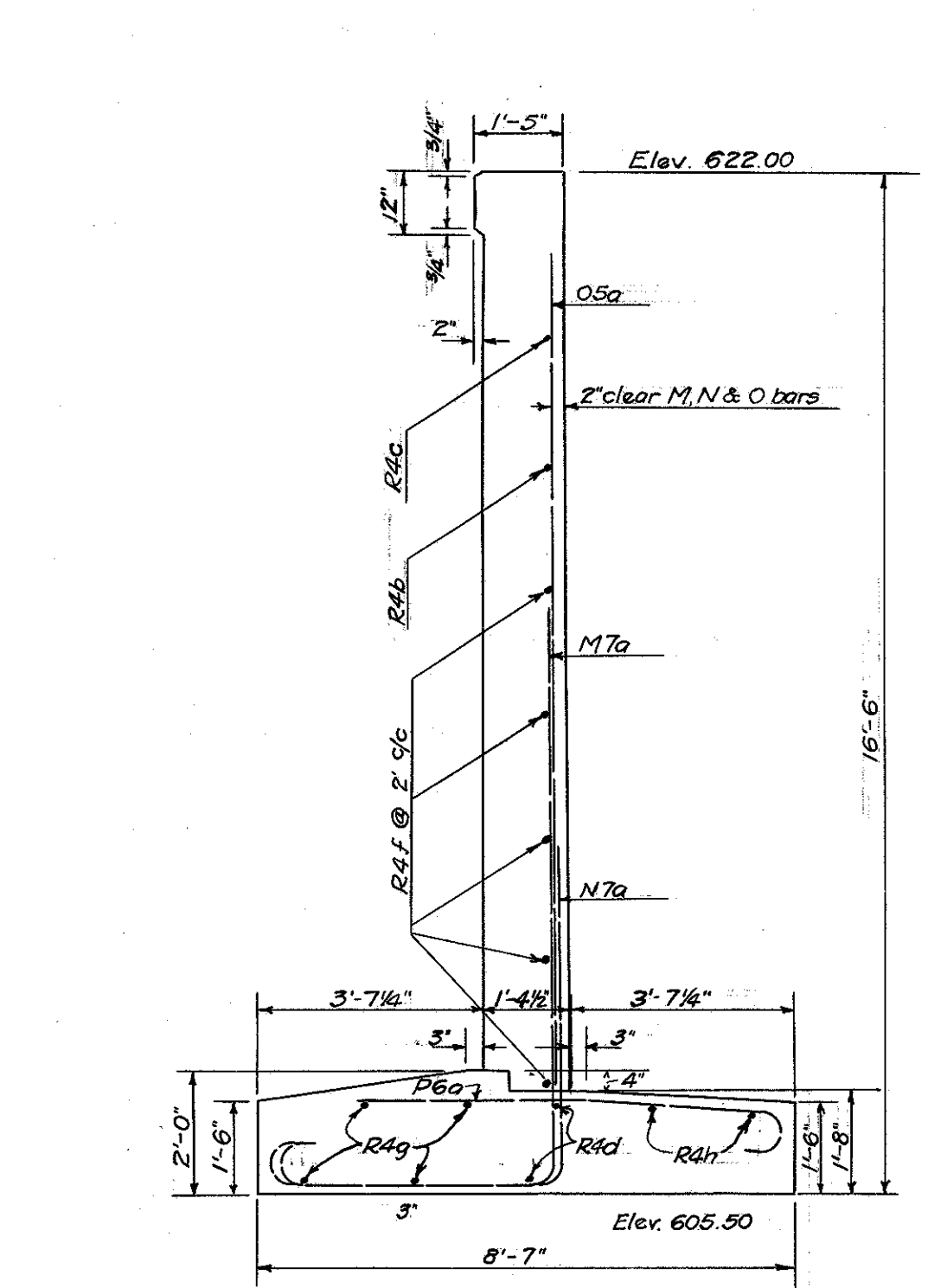
SECTION I-I



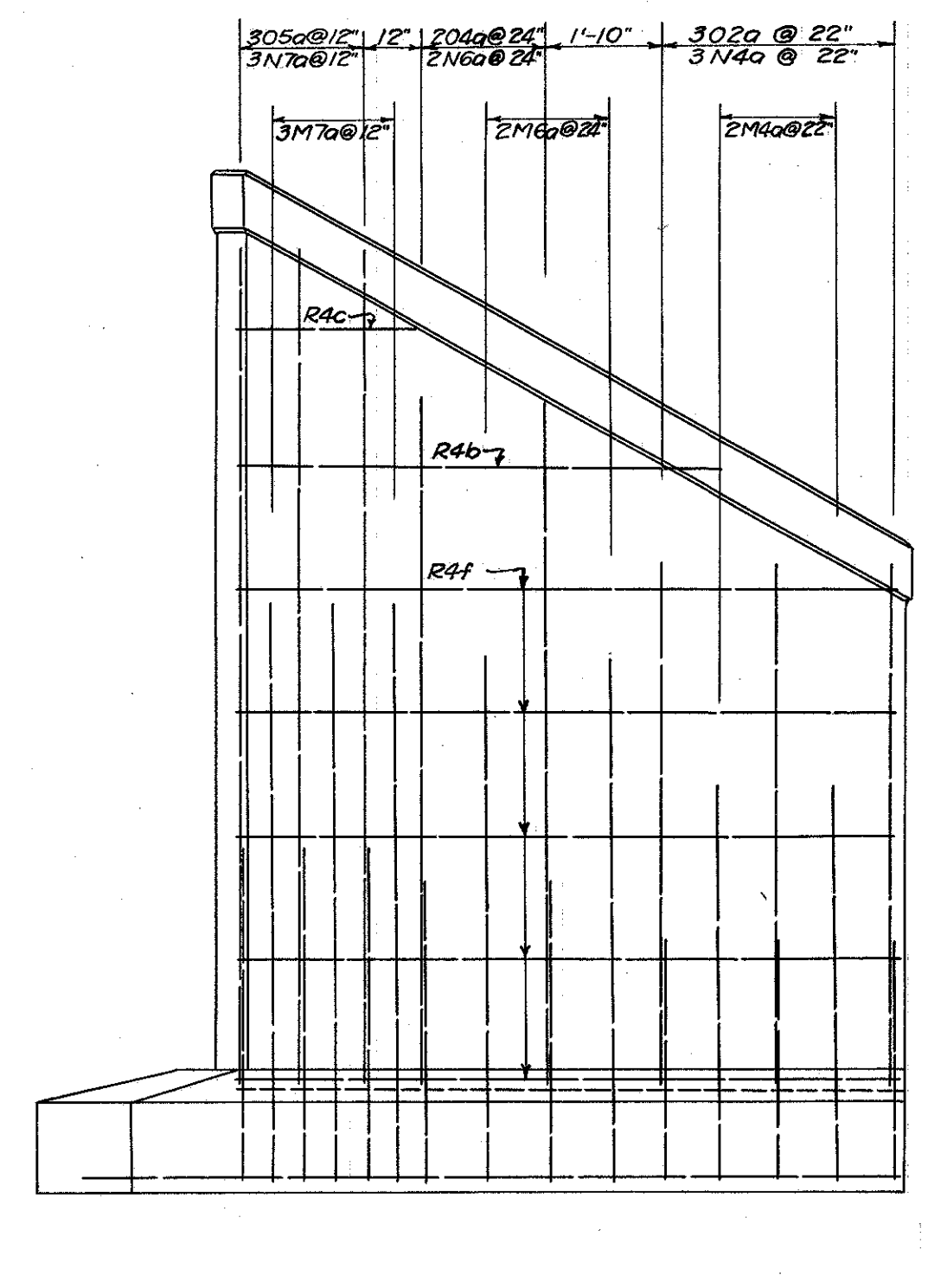
VIEW J-J SHOWING WING REIN.



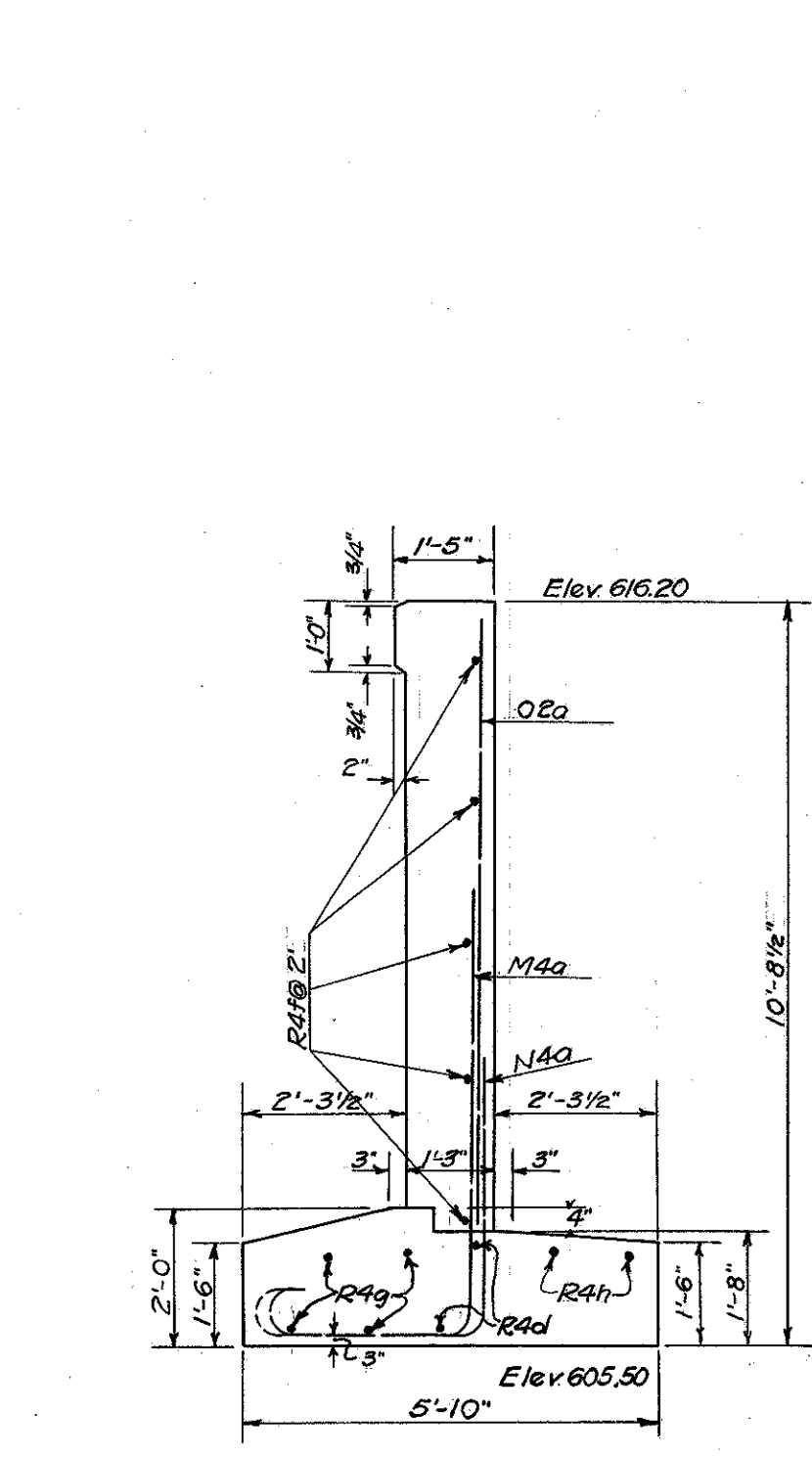
SECTION H-H



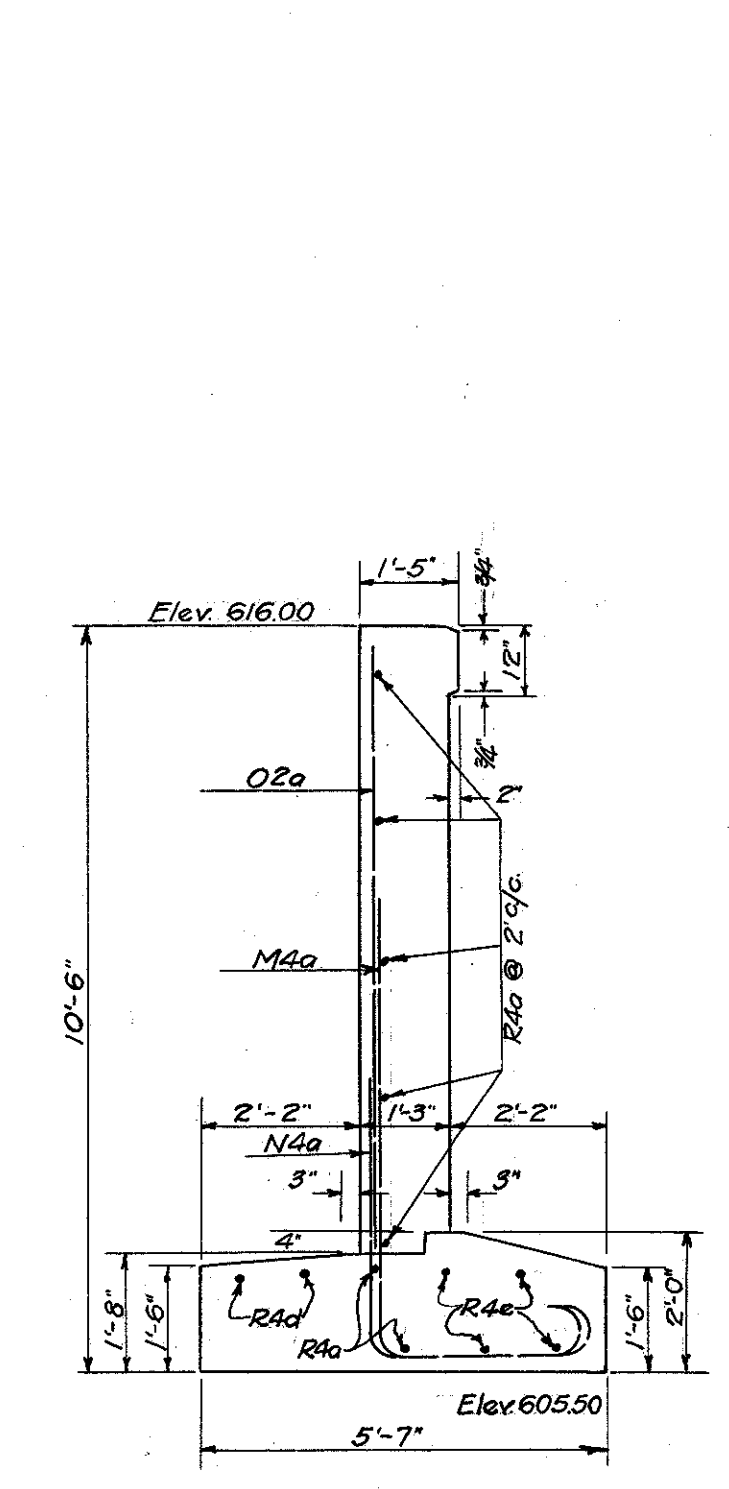
SECTION B-B



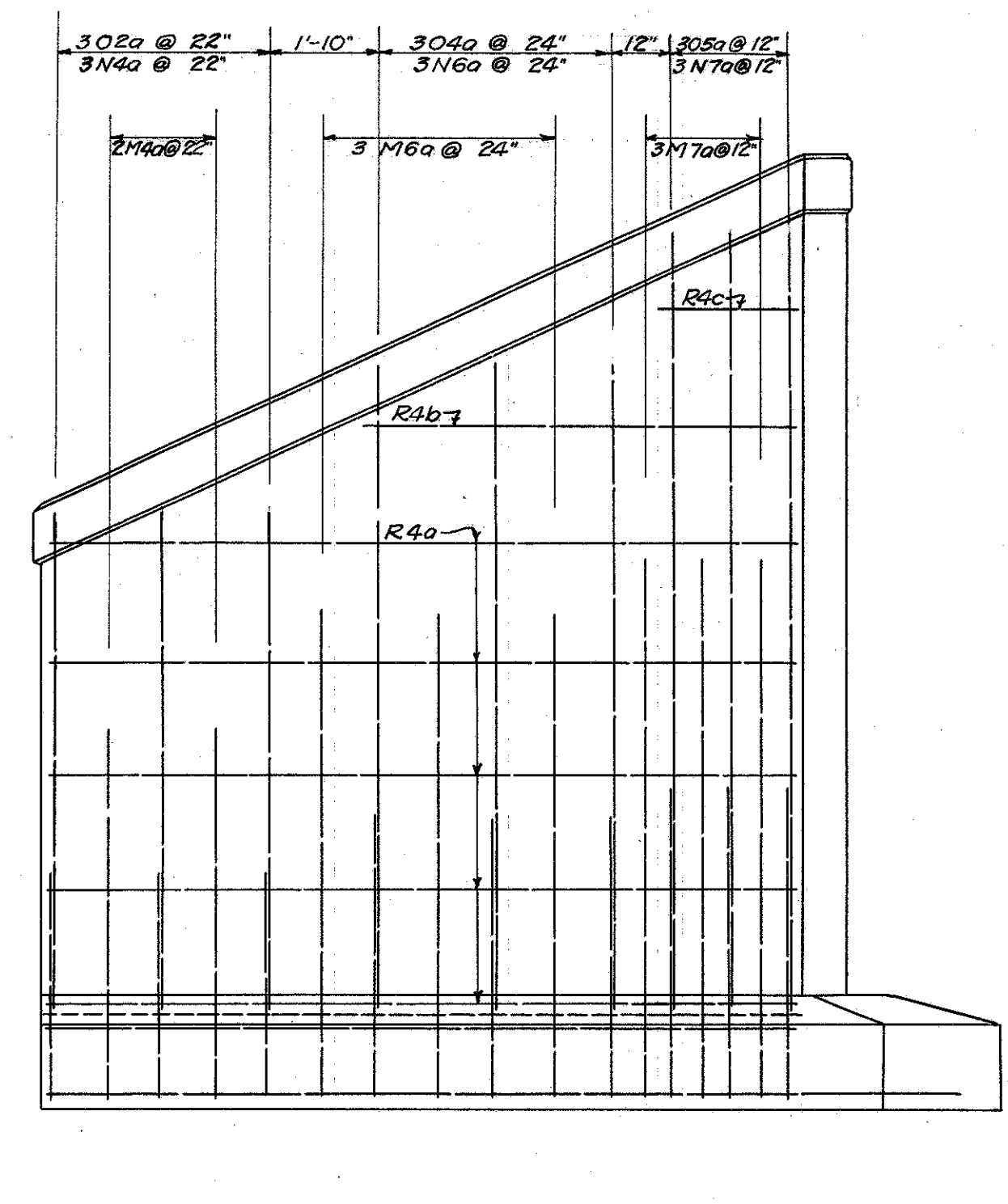
VIEW E-E SHOWING WING REIN.



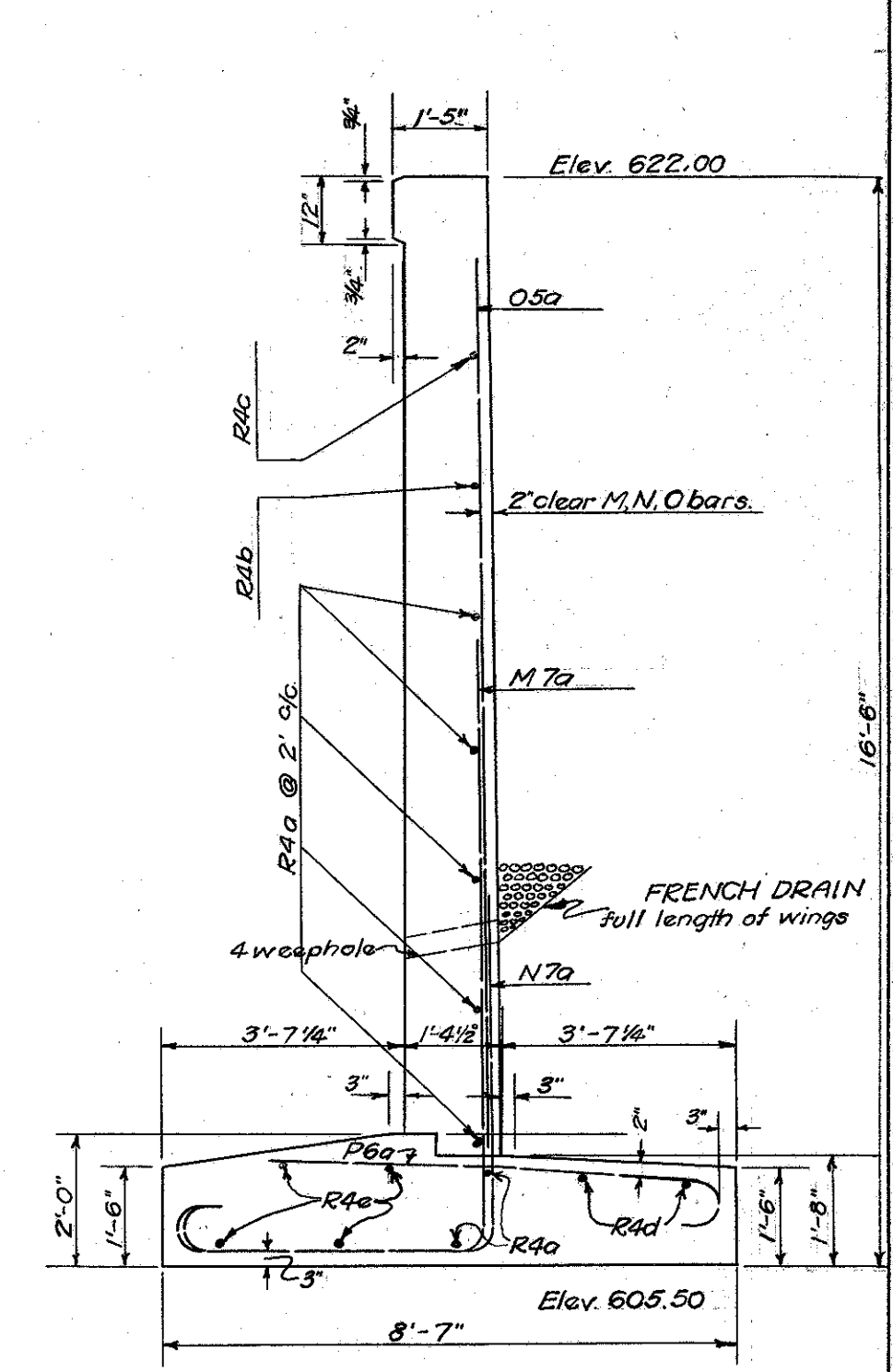
SECTION A-A



SECTION K-K



VIEW M-M SHOWING WING REIN.



SECTION L-L

WINGWALL DETAILS
CULVERT AT STA. 20+40
CHAGRIN FALLS-WILLOUGHBY RD.
 S.H. NO. 90 SEC. G LAKE COUNTY
 Drawn Traced Checked Reviewed
 H.H.C. R.M.R.