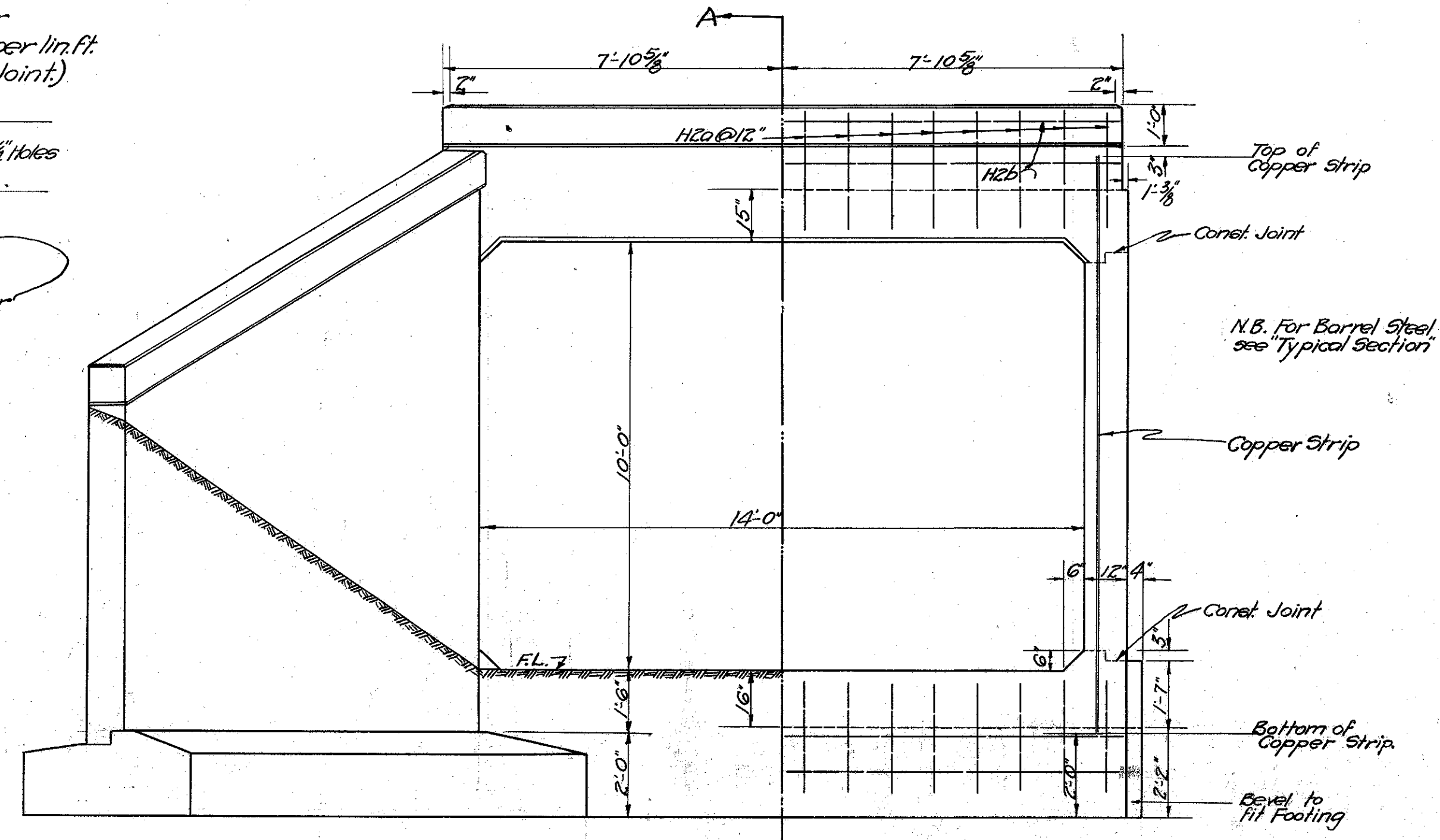
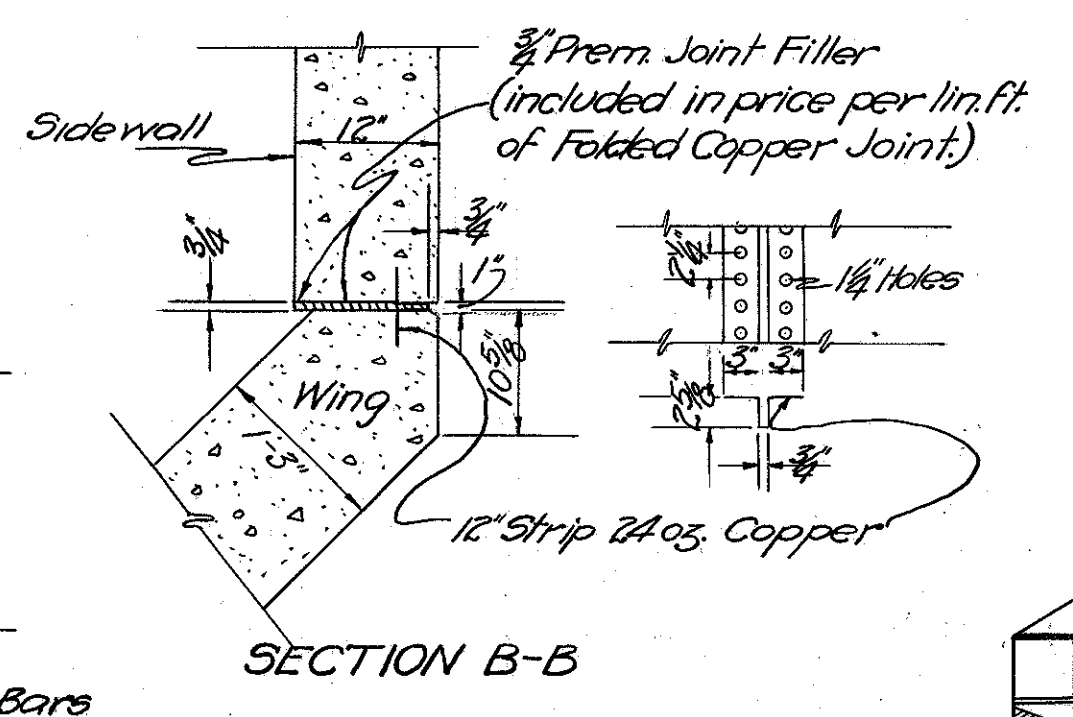
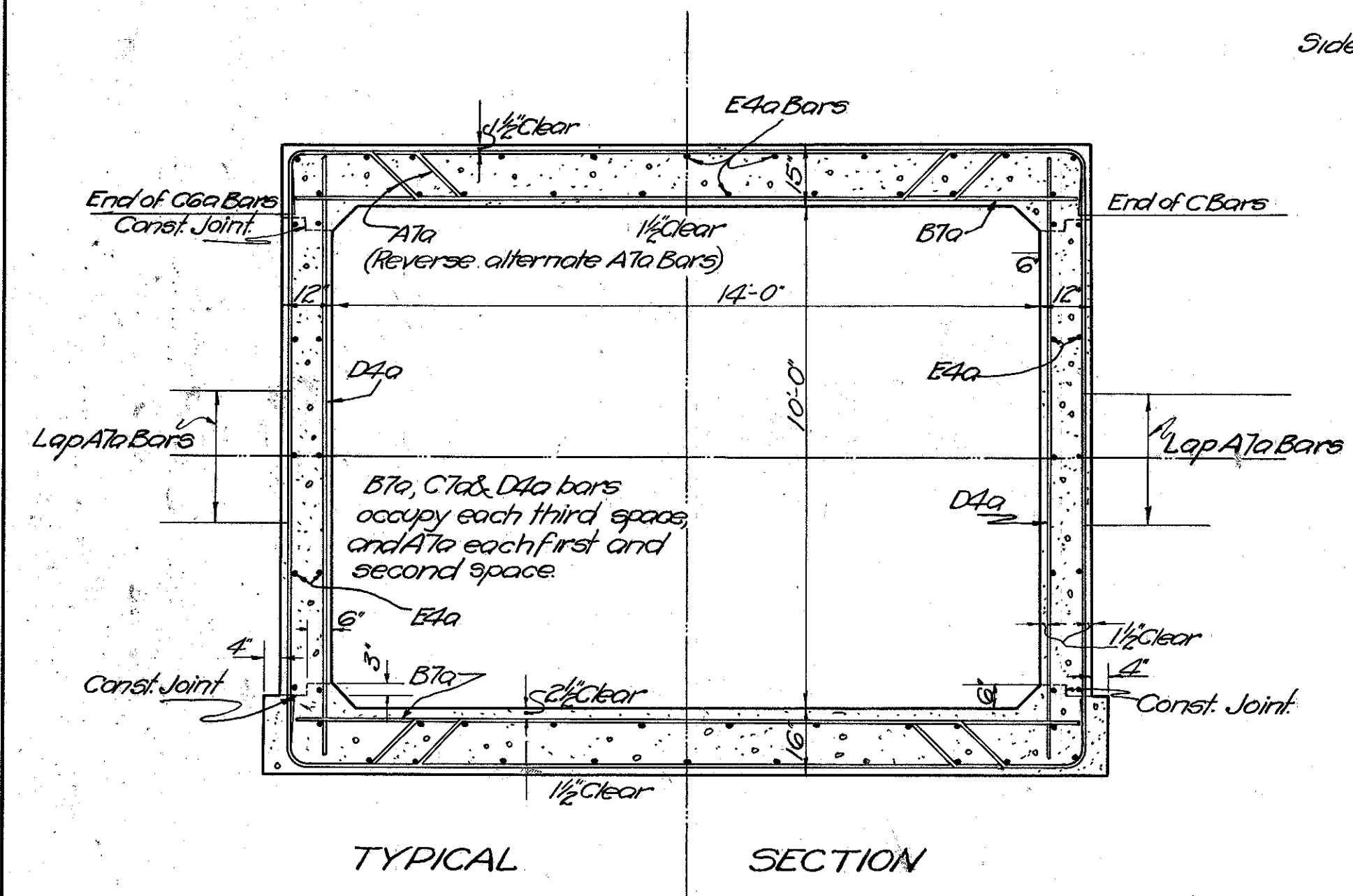


CULVERT DATA
 Type :- Std. Conc. Box Culy. with Variations
 Size :- 14' x 10' x 58.8'
 Work Req. :- Build New Std. Conc. Box Culy. with variations

ESTIMATE	QUANTITIES
Channel Excavation	143 Cu.Yds
Excavation	251 Cu.Yds
1-5/8" Concrete	1906 Cu.Yds
Reinforcing Steel	30,000 Lbs.
Folded Copper Joint	55 Lin.Ft.



3

Sta. 11+90

