

Lot Split / Lot Consolidation for Murphy & Van Niel
 9005 Lake Shore Boulevard
 Mentor, Ohio 44060

Situated in the City of Mentor, County of Lake
 and State of Ohio; And known as being Part of
 Lot No. 4 Tract 11, in said Township and
 Sublot No. 36 in the William and Murphy
 Company's Mentor Golf Subdivision No. 1,
 as recorded in Volume G of Maps,
 Page 136 of Lake County Record of Plats.

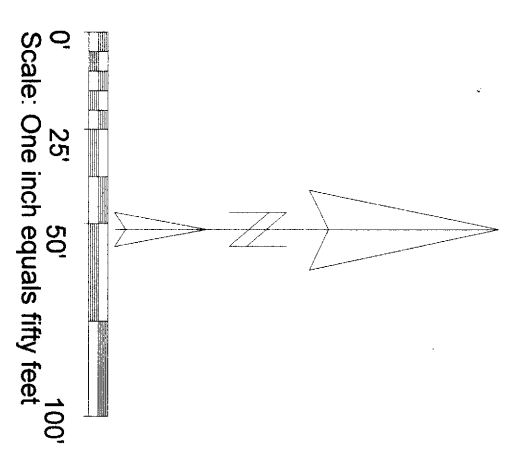
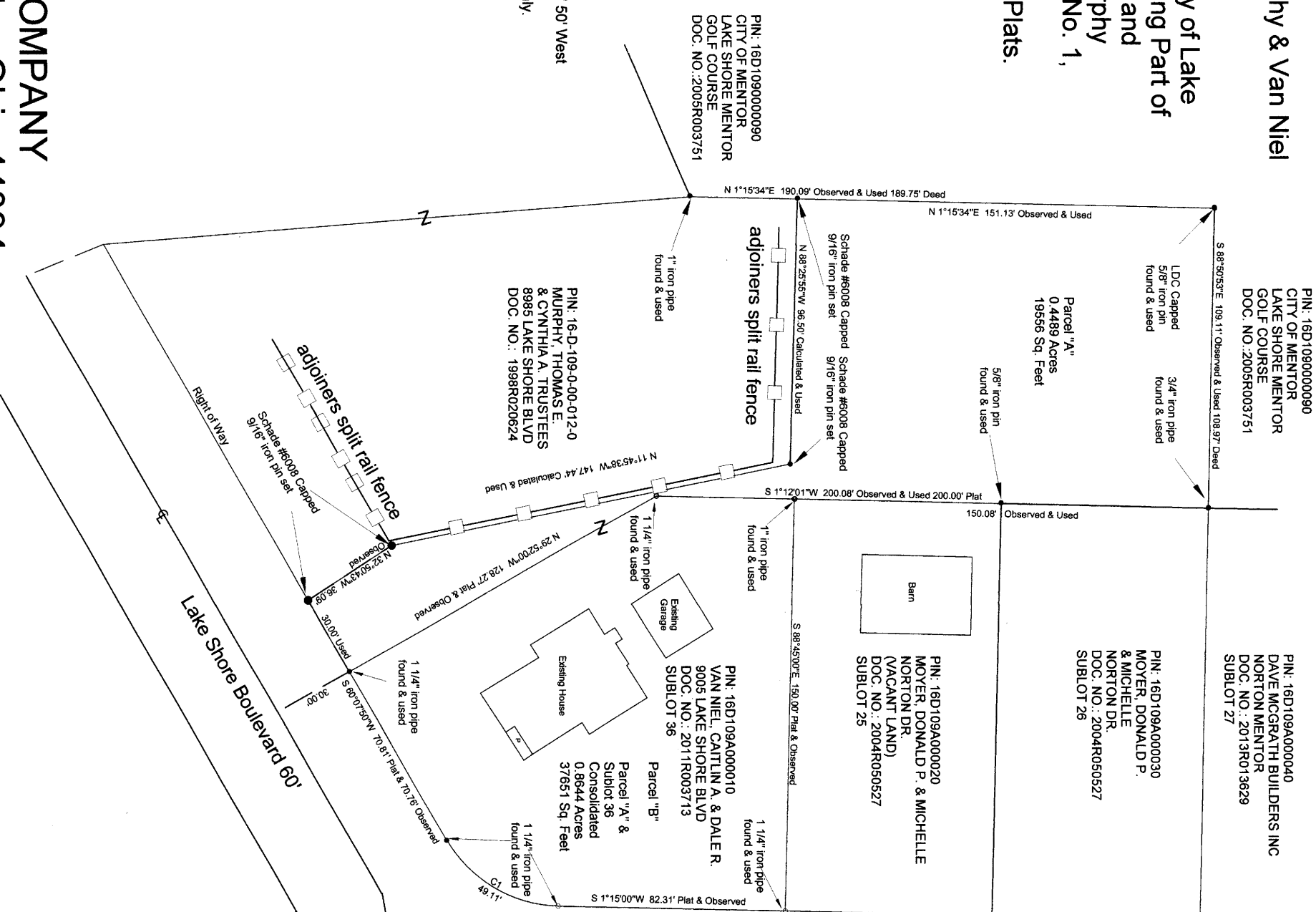
File No.: 21-2896
 Field Book: 154 Page: 30
 Drawing Name: 9005SPT.zak
 Drawn by: HCS
 August, 2021

NOTES:
 Surveys used
 Plat of Survey
 Blackbrook Golf Course
 Land Design 2007
 Mentor Headlands Golf Allotment No. 1
 Volume G of Maps, Page 136 of
 Lake County Record of Plats

Bearings are based upon the Northern Right of Way
 of Lake Shore Boulevard being South 60 Degrees 07' 50" West
 as shown in the William & Murphy Co.'s Mentor Golf
 Subdivision No. 1 and are used to describe angles only.

CURVE DATA
 C1
 Arc 49.11'
 Chord 46.98'
 Chord Bearing S 30° 41' 43" W
 Radius 47.78'
 Plat & Observed

SCHADE SURVEYING COMPANY
 4043 Erie Street Willoughby, Ohio 44094
 Phone: (440) 951-6454



I hereby certify this survey was
 done by Willard F. Schade Jr. in
 August, 2021. This survey is in
 accordance with the Ohio
 Administrative Code Chapter 4733-37.

STATE OF OHIO
 WILLARD
 F. SCHADE, JR.
 6003
 REGISTERED SURVEYOR
 Willard F. Schade Jr.
 9-8-21