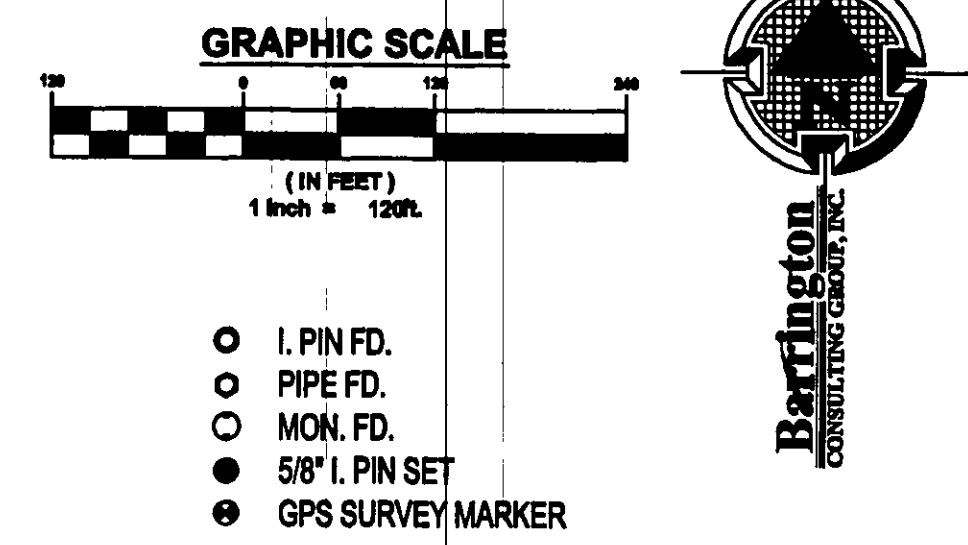
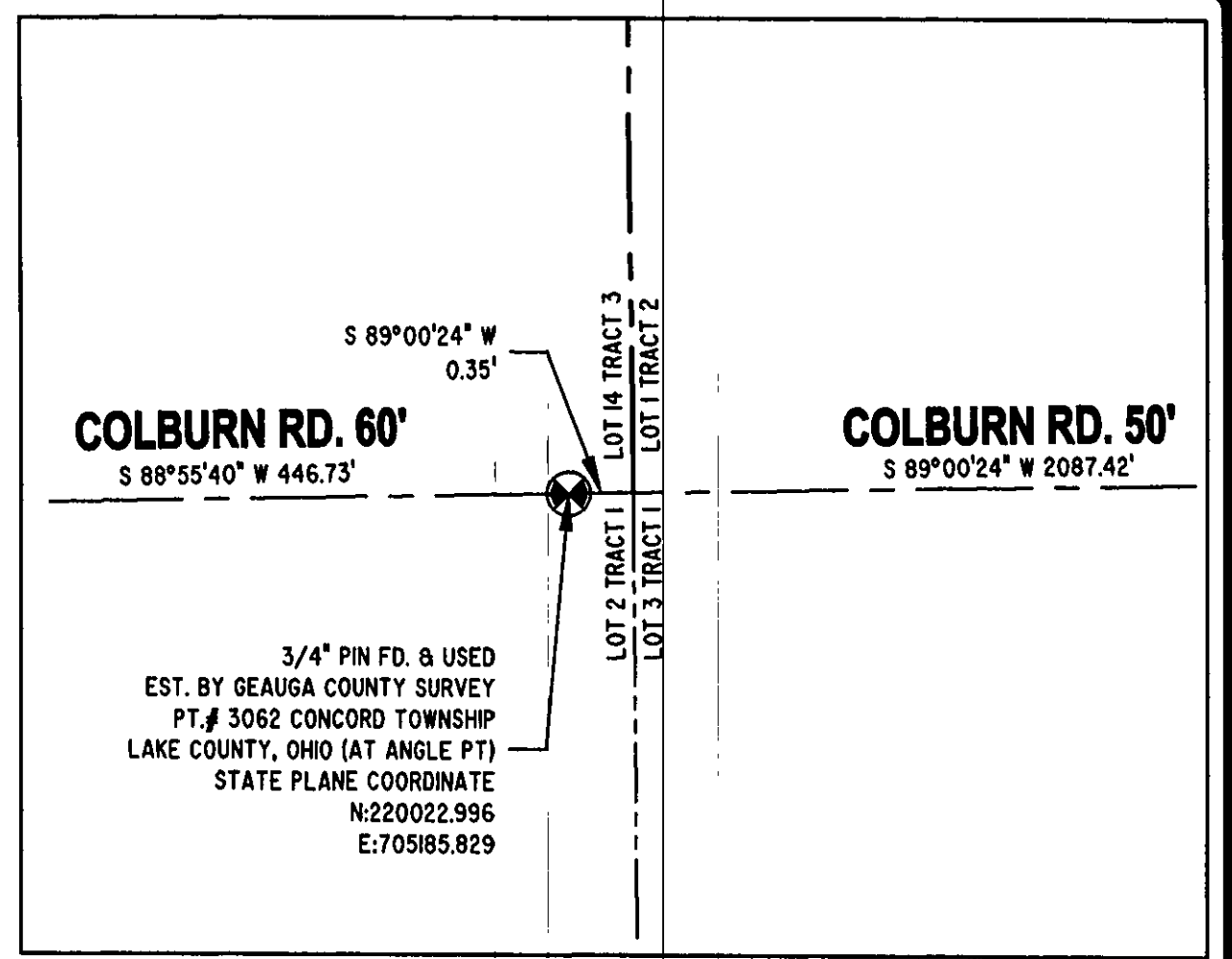
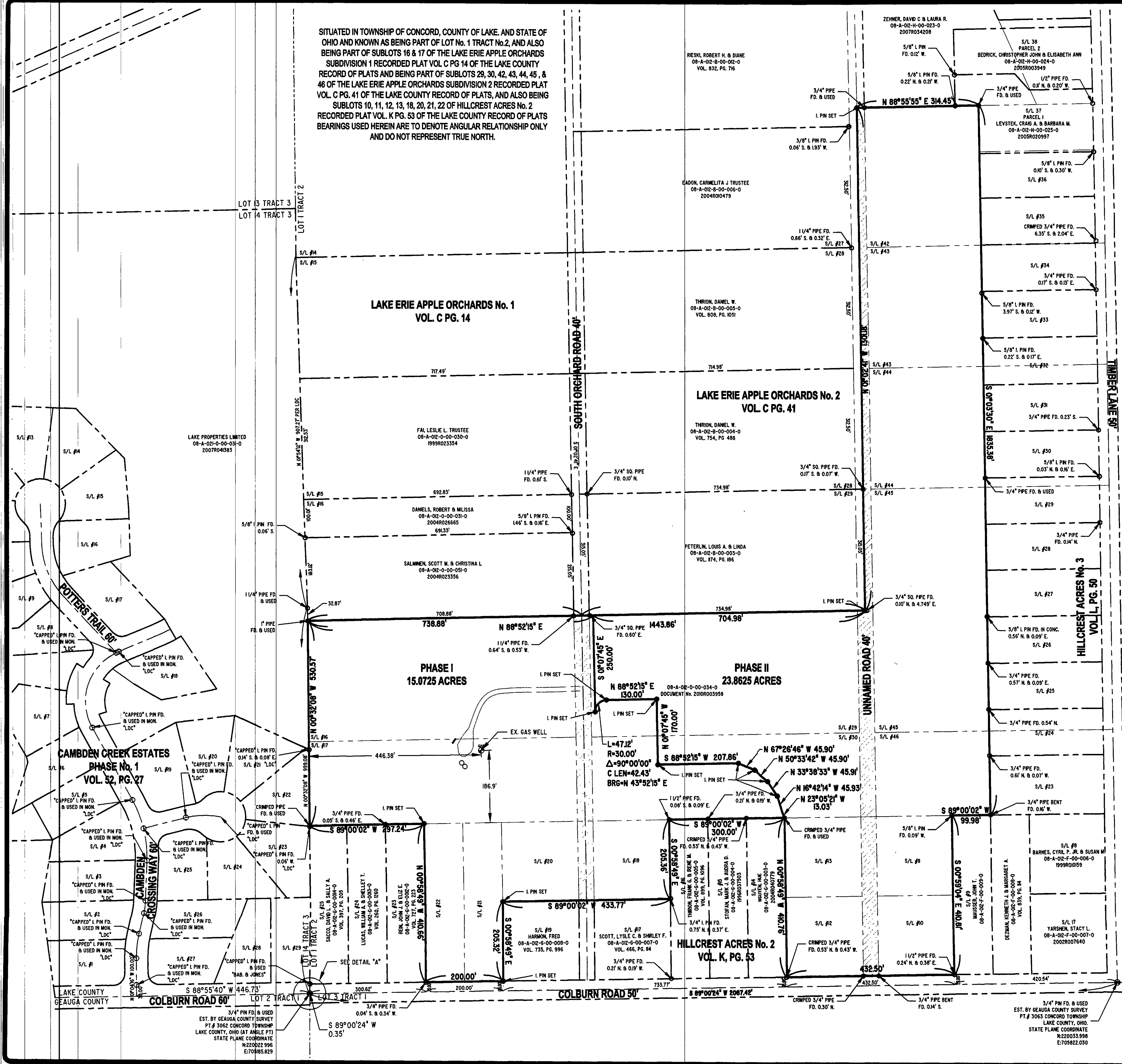


SITUATED IN TOWNSHIP OF CONCORD, COUNTY OF LAKE, AND STATE OF OHIO AND KNOWN AS BEING PART OF LOT No. 1 TRACT No.2, AND ALSO BEING PART OF SUBLOTS 16 & 17 OF THE LAKE ERIE APPLE ORCHARDS SUBDIVISION 1 RECORDED PLAT VOL C PG 14 OF THE LAKE COUNTY RECORD OF PLATS AND BEING PART OF SUBLOTS 28, 30, 42, 43, 44, 45, & 46 OF THE LAKE ERIE APPLE ORCHARDS SUBDIVISION 2 RECORDED PLAT VOL. C PG. 41 OF THE LAKE COUNTY RECORD OF PLATS, AND ALSO BEING SUBLOTS 10, 11, 12, 13, 18, 20, 21, 22 OF HILLCREST ACRES No. 2 RECORDED PLAT VOL. K PG. 53 OF THE LAKE COUNTY RECORD OF PLATS BEARINGS USED HEREIN ARE TO DENOTE ANGULAR RELATIONSHIP ONLY AND DO NOT REPRESENT TRUE NORTH.

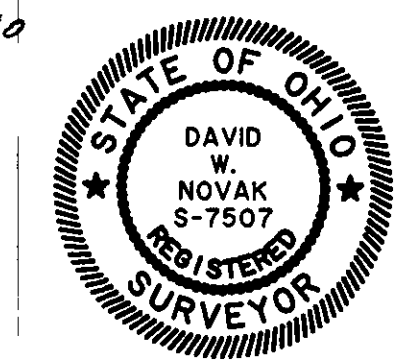


OHIO STATE PLAN COORDINATES NORTH ZONE NAD 83 1986  
ADJUSTMENT LAKE COUNTY MONUMENTS 3062 & 3063

**CERTIFICATION:**  
I HEREBY CERTIFY THAT AN ACTUAL BOUNDARY SURVEY WAS PREPARED BY ME ON THE 16th DAY OF JANUARY 2009, AND THAT THE SURVEY IS IN ACCORDANCE WITH THE OHIO REVISED CODE CHAPTER 4733-37, MINIMUM STANDARDS FOR BOUNDARY SURVEYS IN THE STATE OF OHIO. PERMANENT MONUMENTS WERE FOUND, OR SET AT ALL LOCATIONS SHOWN HEREON. ALL DIMENSIONS GIVEN ARE EXPRESSED IN FEET OR DECIMAL PARTS THEREOF. BEARINGS ARE TO AN ASSUMED MERIDIAN AND ARE SHOWN TO INDICATE ANGLES ONLY. ALL PINS SET ARE 5/8" DIA., 30" LONG REBAR WITH CAP MARKED "NOVAK 7507".

I HEREBY CERTIFY THAT, THIS PLAT WAS PREPARED BY ME AND IS CORRECT TO THE BEST OF MY KNOWLEDGE, INFORMATION AND BELIEF.

*David W. Novak*  
DAVID W. NOVAK, P.E. No. 7507



REVISIONS	BY

**Barrington CONSULTING GROUP, INC.**  
9114 TYLER BLVD., MENTOR, OHIO 44060  
PHONE 440.205.1260 FAX 440.205.1262  
www.BarringtonCGI.com

**TODD E. VICTOR**  
RALPH VICTOR CONSTRUCTION, INC.  
20 ELBERTA ROAD  
PAINESVILLE, OHIO 44077-1231  
440-357-9242

**LOT SPLIT PLAT**

ORCHARD SPRINGS COLBURN ROAD, CONCORD, TWP., OHIO 44077  
PPN 08A0720000340

**ORCHARD SPRINGS SUBDIVISION**

DATE: APRIL 15, 2010  
SCALE: 1" = 120'  
JOB NO.: 08092  
SHEET: 11

OR 08092